



M-NET Interface



Model **MAC-399IF-E**

[FOR INSTALLER]

**INSTALLATION MANUAL**

[FÜR INSTALLATEUR]

**INSTALLATIONSHANDBUCH**

[POUR L'INSTALLATEUR]

**MANUEL D'INSTALLATION**

[VOOR DE INSTALLATEUR]

**INSTALLATIEHANDLEIDING**

[PARA EL INSTALADOR]

**MANUAL DE INSTALACIÓN**

[PER L'INSTALLATORE]

**MANUALE DI INSTALLAZIONE**

[ΓΙΑ ΑΥΤΟΝ ΠΟΥ ΚΑΝΕΙ ΤΗΝ ΕΓΚΑΤΑΣΤΑΣΗ]

**ΕΓΧΕΙΡΙΔΙΟ ΟΔΗΓΙΩΝ ΕΓΚΑΤΑΣΤΑΣΗΣ**

[PARA O INSTALADOR]

**MANUAL DE INSTALAÇÃO**

[TIL INSTALLATØREN]

**INSTALLATIONS MANUAL**

[FÖR INSTALLATÖREN]

**INSTALLATIONS MANUAL**

[MONTÖR İÇİN]

**MONTAJ ELKİTABI**

[ДЛЯ УСТАНОВИТЕЛЯ]

**РУКОВОДСТВО ПО УСТАНОВКЕ**

[安装人员适用]

**安装说明书**

[安裝人員適用]

**安裝說明書**

English

Deutsch

Français

Nederlands

Español

Italiano

Ελληνικά

Português

Dansk

Svenska

Türkçe

Русский

简体中文

繁體中文

# Contents

1. Safety Instructions .....	2
2. Before Installation .....	3
3. Mounting the M-NET Interface Unit .....	4
4. Setting the Switches .....	5
5. Connecting the M-NET Interface to indoor unit .....	6
6. Connecting the M-NET Interface, the Power Supply, and the ME Remote Controller .....	7
7. Notes Regarding Use .....	8
8. Table of Functions Activated from the ME Remote Controller/System Controller .....	9
9. Specifications .....	9

## 1. Safety Instructions

- Read all Safety Instructions before using this device.
- This manual contains important safety information. Be sure to comply with all instructions.
- After installing the Interface, provide this Installation Manual to the user.  
Instruct users to store their room air conditioner Instruction Manual and Warranty in a safe location.

### **Warning**

(Improper handling may have serious consequences, including injury or death.)

■ **Users should not install the Interface on their own.**

Improper installation may result in fire, electric shock, or damage/water leaks if the Interface unit falls. Consult the dealer from whom you purchased the unit or professional installer.

■ **The Interface should be securely installed in accordance with the enclosed Installation Instructions.**

Improper installation may result in fire, electric shock, or damage/water leaks if the Interface unit falls.

■ **The unit should be mounted in a location that can support its weight.**

If installed in an area that cannot support the unit, the Interface unit could fall and cause damage.

■ **Securely attach the electrical component cover to the Interface unit.**

If the electrical component cover of the Interface unit is not securely attached, dust or water penetration could occur, resulting in a fire or electric shock.

■ **Mitsubishi components or other designated components must be used for installation.**

Improper installation may result in fire, electric shock, or damage/water leaks if the Interface unit falls.

■ **When performing electrical work, adhere to the technical standards regarding electrical equipment and the interior wiring standards, follow the instructions provided in the Instruction Manual, and be sure to use a dedicated circuit.**

Inadequate circuit capacity or improper installation could result in a fire or electric shock.

## 2. Before Installation

### 2.1. How to Use the M-NET Interface

#### ⚠ Caution

When using a packaged air conditioner (city-multi) system remote controller, you cannot register packaged air conditioners and room air conditioners in the same group. In this case, register the Packaged and room air conditioner in different groups.

#### ■ Functions

Centralized and individual management of M/P/S series using M-NET(\*).

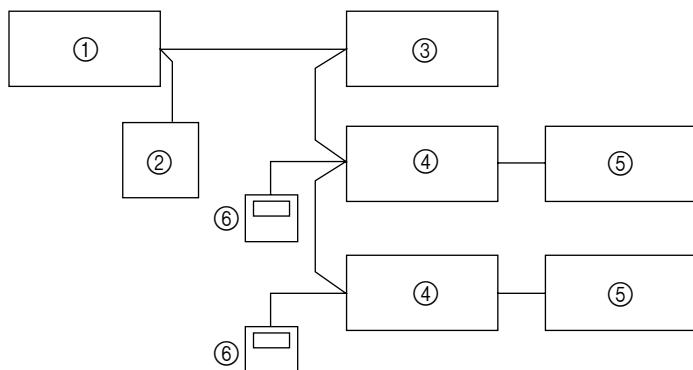
\* A type of packaged air conditioner control (city-multi)

#### ■ Related Products Sold Separately

- ME Remote Controller PAR-F27MEA
- Centralized Controller G-50A
- System Remote Controller PAC-SF44SRA
- ON/OFF Remote Controller PAC-YT40ANRA
- Schedule Timer (M-NET) PAC-YT34STA
- Power supply unit PAC-SC50KUA

#### ■ Sample of System Configuration (only M/S series outdoor-unit)

Sample configuration of a system using a centralized controller



- ① Centralized controller (M-NET)
- ② Power supply unit
- ③ Packaged air conditioner system
- ④ M-NET Interface
- ⑤ Indoor unit
- ⑥ ME Remote Controller

\* The number of units that can be connected to the centralized controller (G-50A) is max. 50, including packaged and room air conditioners. The wiring from the M-NET Interface to the centralized controller can have a maximum length of 500 m. The wiring from the M-NET interface to the ME Remote Controller can have a maximum length of 10 m. For details, see the MELANS Catalog and the instruction manuals for the Centralized Controller and ME Remote Controller.

### 2.2. Accessory

Before installing the device, make sure you have all the necessary parts.

#### ■ Accessory

①	Interface unit (with 5-core connecting cable)	1
②	Mounting brackets	1
③	Screws for mounting ② 3.5×12	4
④	Cushioning material (with adhesive)	1
⑤	Cord clamp for mounting (small)	2
⑥	Mounting cord clamp (large)	2
⑦	Screws for mounting ⑤ and ⑥ 3.5×12	2
⑧	Screw for mounting ⑤ and ⑥ 4×10 * Use this when mounting cord clamp to and around M series.	1
⑨	Screw for mounting ⑤ and ⑥ 4×16 * Use this when mounting cord clamp together with the parts of M series.	1
⑩	Cable ties	4
⑪	Fasteners (for joining the lead wires)	5
⑫	Cord clamp for wiring	5
⑬	Screws for mounting ⑫ 3.5×12	5
⑭	Interface case mounting screws 3.5×12	2

#### ■ Items to Prepare at the Installation Site

A	Connection wiring (centralized controller) Shield wiring CVVS/CPEVS
B	Connection wiring (for connecting the ME Remote Controller) Remote control wires (2-core sheath wire 0.3 mm <sup>2</sup> )
C	Related parts sold separately * Prepare the necessary number of parts sold separately as needed for your system.

\* CPEVS; PE insulated PVC jacketed shielded communication cable

\* CVVS; PVC insulated PVC jacketed shielded control cable

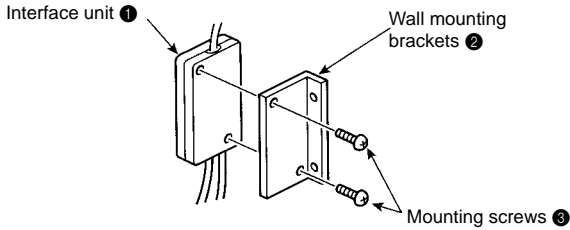
PE: Polyethylene PVC: Polyvinyl chloride

# 3. Mounting the M-NET Interface Unit

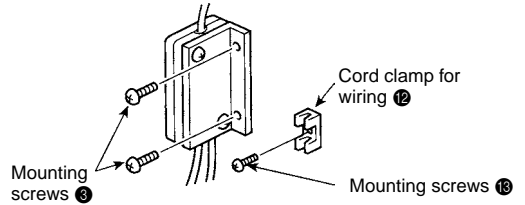
The M-NET Interface unit should be placed in a location where the 5-core connecting cable from the interface can reach an indoor unit. Do not extend the 5-core connecting cable. This will cause the device to malfunction. Mount the interface unit securely to a pillar or wall using 2 or more screws.

## ■ When Using Wall Mounting Brackets ②

**1** Attach the wall mounting brackets ② to the interface unit ① using 2 mounting screws ③.

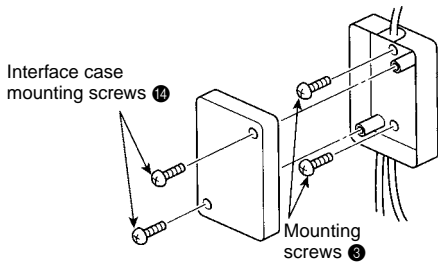


**2** Mount the unit to a pillar or wall using 2 mounting screws ③.

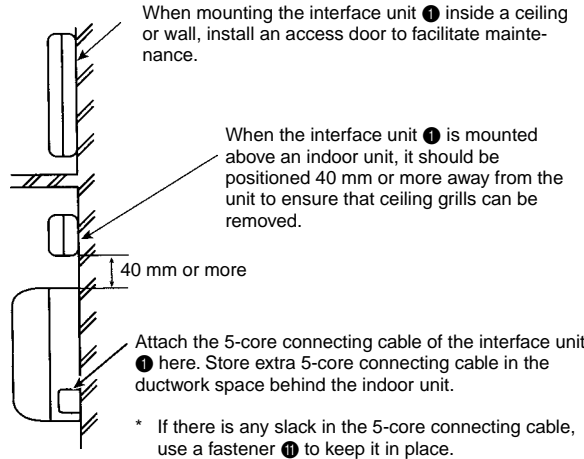
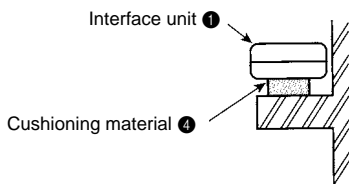


## ■ When Mounting Directly to a Wall

Mount the interface unit ① case to the wall using the mounting screws ③.



\* When mounting the interface unit ① using a cushioning material ④, be sure to mount it in a location where it will not fall.



## 4. Setting the Switches

If the system is not configured correctly, the unit will not function properly. You may be unable to control the functions of the indoor unit from the System Controller/ME Remote Controller or functions not available on the indoor unit could appear on the System Controller/ME Remote Controller display. You should therefore ensure that the system is properly configured before connecting the power supply.

### ■ SW500 No. 1, No. 2 - Not in use

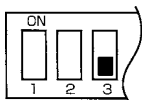
These should be set to OFF (if set to ON, the device will not communicate properly with the System Controller).

### ■ SW500 No. 3 - Power On/Off Settings

This setting indicates whether the indoor unit should be turned off or on when power is supplied to the indoor unit or M-NET Interface.

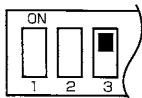
#### Turn on with power No

[Unit remains off when the power is supplied.]



#### Turn on with power Yes

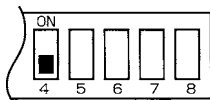
[Unit turns on when the power is supplied.]



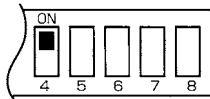
### ■ SW500 No. 4 - Availability of purifier or fan mode

If there is no "Purifier" button on the wireless remote control, and if the word "Fan" does not appear when the "Mode" button is pressed, the purifier and fan modes are not available (set to OFF).

#### Does not have a purifier or fan mode



#### Has a purifier or fan mode



### ■ SW500 No. 5–No. 8 - M series Function Check

SW500	Function description	How to check a function	OFF	ON
No. 5	Availability of automatic operation mode (a mode that allows the air conditioner to determine whether to select cooling or heating).	If "Auto" is not displayed when you push the "Mode" button on the wireless remote control, the auto operation mode is not available (OFF).	Does not have an auto operation mode	Does have an auto operation mode
No. 6	Availability of a fan oscillation setting	If "Oscillate" is displayed when you push the "Fan Direction" button on the wireless remote control, the fan oscillation setting is available (OFF). (If there is no "Fan Direction" button, the setting is OFF).	Has a fan oscillation setting	Does not have a fan oscillation setting
No. 7	Availability of a fan direction setting	If there is a "Fan Direction" button on the wireless remote control, the fan direction setting is available (OFF).	Has a fan direction setting	Does not have a fan direction setting
No. 8	Availability of a heating mode	If "Heat" appears when you push the "Mode" button on the wireless remote control, the unit is a model that offers both cooling and heating (OFF).	Dual cooling and heating model	Cooling unit only

### ■ SW510, SW501 - Address settings

Specifies the address settings for centralized management (address settings can be set from 01–50).

#### Self-Address

10s position

1s position



SW510

SW501

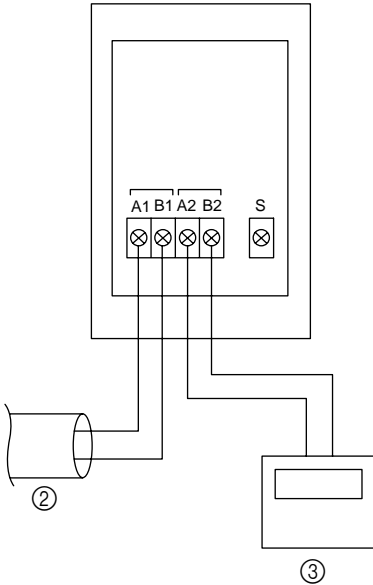
SW510 sets the 10s position of the address and SW501 sets the 1s position of the address. For example, to set a unit to the address 25, set SW510 to "2" and SW501 to "5".



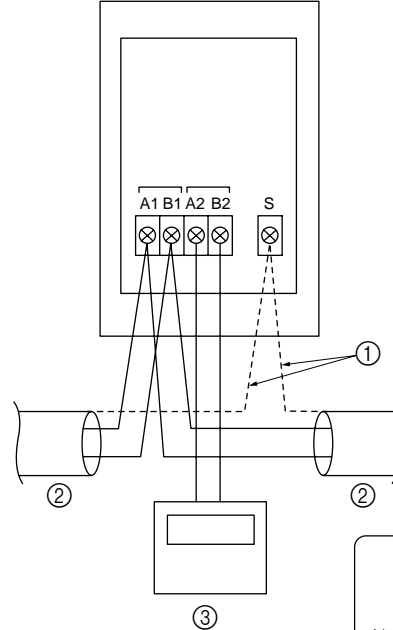
# 6. Connecting the M-NET Interface, the Power Supply, and the ME Remote Controller

- When connecting the unit to a system controller or ME Remote Controller, connect the transmission line of the M-NET to the control signal terminal.  
Connect the 2-core connection wirings **A** to A1/B1 or A2/B2 (they can be connected to either).
- Cross the shield portion of each connecting wire using the S terminal only when cross wiring the connection wires.
- When connecting the connection wirings **A** and the ME Remote Controller connection wirings **B** to the terminal board, there is no need to worry about polarity.

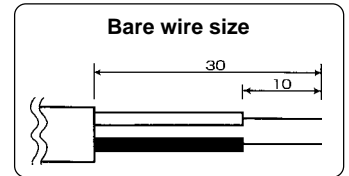
When the connection wirings **A** are not cross-wired



When the connection wirings **A** are cross-wired

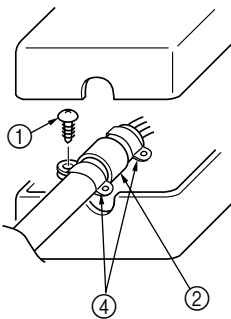


- ① Shield
- ② Connection wirings **A** (M-NET transmission wire)
- ③ ME Remote Controller (only when needed)



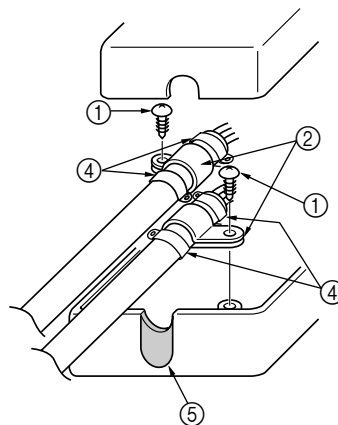
- After the wiring is completed secure the wires with the cord clamp (large) and the cable ties.

When the connection wiring **A** is not cross-wired



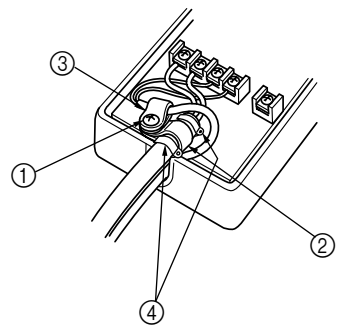
- ① Screws
- ② Cord clamp (large)
- ③ Cord clamp (small)

When the connection wiring **A** is cross-wired



- ④ Cable ties
- ⑤ Cut with nippers at the notches. Make sure the cut surface is free of any burr so that the connection wire does not get damaged.

When using the ME remote controller



### ⚠ Caution

- Electrical work should be performed in accordance with the Technical Standards Regarding Electrical Equipment and the Interior Wiring Standards.
- Connection wiring and remote control wiring should be located as far away from other electrical wiring as possible. Placing them too closely together could cause a malfunction.

## 7. Notes Regarding Use

Please read this information carefully before attempting a test run.

The following control information should be thoroughly explained and provided to the users of this device. (Please provide these instructions to the user once the installation is complete.)

- \* This M-NET Interface operates M/P/S Series using the controls of a packaged air conditioner (city-multi), but there are several limitations imposed as a result of the functional differences between M/P/S Series and packaged air conditioners.
  1. When operating the system using a system controller or ME Remote Controller, these operations will not appear on the display of the wireless remote controller.
  2. Functions available only on M series (e. g. ECONO COOL) cannot be operated using the ME Remote Controller/System Controller. When these functions are operated using the wireless remote controller that came with M series, the operation using the wireless remote controller that came with M series, the operation will not appear on the display of the ME Remote Controller/System controller.
  3. Functions that are available on the ME Remote Controller/System Controller but that are not available on the M/P/S series can be operated by switching to a predetermined separate operation mode. (See the "Table of Functions Activated from the ME Remote Controller/System Controller.")
  4. Functions that are available on the remote controller of the M/P/S series but are not available on the ME Remote Controller/System Controller will produce a predetermined display. In this case, the actual operation and the display may differ. (If the fan speed is automatically set using the remote controller that came with the M/P/S series, the setting "High" will appear on the ME Remote Controller/System Controller. Likewise, if the fan direction is set to automatic, the setting "Downward Air Flow 80%" will appear on the ME Remote Controller/System Controller.)
  5. Because the temperature range of the M/S series is broader than the ME Remote Controller/System Controller, when the M/S series is set to lower than 17°C or higher than 30°C, the temperature display on the ME Remote Controller/System Controller will show the minimum or maximum temperature that can be set. (For example, even if the room air conditioner is set to cool a room to 16°C, the display on the ME Remote Controller/System Controller may read "17°C.") The M/S series operates according to the room temperature detected by the M/S series unit.
  6. Timer operations should be set using only the remote controller that came with the M/P/S series or the ME Remote Controller/System Controller. If both are used to set the timer to the same time, the timer will not function properly.
  7. When the timer is set using the remote controller that came with the M/P/S series, the timer information will not be displayed on the ME Remote Controller/System Controller.
  8. If the timer is set using the ME Remote Controller/System Controller, the timer set using that device will not be cancelled even if the unit is turned off using the remote controller that came with the M/P/S series.
  9. When manual operations using the system controller are prohibited, the remote controller that came with the M/P/S series will not function, but the beeping sound that is emitted when it is operating normally will still sound.
  10. To clear an error message from the display of the ME Remote Controller/System Controller, briefly turn off the unit using the ME Remote Controller/System Controller or the remote controller that came with the M/P/S series. (The error display on the air conditioner unit may be cleared automatically, but it will not clear from the ME Remote Controller/System Controller until the unit is turned off.)
  11. The room temperature sensor installed in the ME Remote Controller cannot be used.



## 8. Table of Functions Activated from the ME Remote Controller/System Controller

Functions operated from the wireless remote controller that came with M/P/S series.

[Symbol] ○: Available/△: Available with limitations on the display/x: Non-available/—: Non-applicable (no functions)

Functions *1		ME remote controller	G-50A	BACnet/F	LM-AP
On/Off	Power On (Operation)	○	○	○	○
	Power Off (Stop)	○	○	○	○
Mode	Auto operation (Operation)	○	○	○	○
	Manual Cool (Cool)	○	○	○	○
	Manual Heat (Heat)	○	○	○	○
	Manual Dry (Dry)	○	○	○	○
	Air-purifying (Fan)	○	○	○	○
Fan speed (MSZ, S, P)	Low (First: Low)	○	○	○	○
	Med. (Second: Medium2) Med. (Third: Medium2)	○	○	○	○
	High (Third: Medium1) High (Forth: High)	○	○	○	○
	Super high (Forth: High)	○	○	○	○
	AUTO	△ (High)	△ (High)	△ (High)	△ (High)
Fan speed (MFZ)	Low (First: Low)	○	○	○	○
	Med. (Second: Medium) Med. (Second: Medium1)	○	○	○	○
	High (Third: Medium) Med. (Second: Medium2)	○	○	○	○
	Super high (Forth: High)	○	○	○	○
	AUTO	△ (High)	△ (High)	△ (High)	△ (High)
Air direction	Position1 (Horizontal)	○	○	○	—
	Position2 (Bottom flow Position2)	○	○	○	—
	Position3 (Bottom flow Position3)	○	○	○	—
	Position4 (Vertical)	○	○	○	—
	Position5 (Vertical)	○	○	○	—
	Swing	○	○	○	—
	AUTO	△ (Bottom flow Position3)	△ (Bottom flow Position3)	△ (Bottom flow Position3)	—
Set temperature	16°C–31°C	○	○	○	○
Monitor	Timer display	x	x	x	x
	Inlet temp. (10–38°C) *2	△	△	○	○

\*1: Functions that are not available on M/P/S series (MAC-399IF) cannot be performed.  
The display on the M-NET side is shown in ( ).

\*2: The display does not appear on the wireless remote controller.

## 9. Specifications

Air conditioner side	Input voltage	12 V $\overline{\text{---}}$
	Power consumption	0.6 W
	Input current	0.05 A
M-NET side	Input voltage	17–24 V $\overline{\text{---}}$

# Inhalt

1. Sicherheitsanweisungen .....	10
2. Vor Installation .....	11
3. Montage der M-NET-Schnittstelleneinheit .....	12
4. Einstellen der Schalter .....	13
5. Anschluss der M-NET-Schnittstelle an ein Innengerät .....	14
6. Anschluß der M-NET-Schnittstelle, des Netzanschlusses und der ME-Fernbedienung .....	15
7. Hinweise zur Benutzung .....	16
8. Tabelle der Funktionen, die von der ME-Fernbedienung/Systemsteuerung betätigt werden .....	17
9. Technische Daten .....	17

## 1. Sicherheitsanweisungen

- Bitte lesen Sie vor Inbetriebnahme dieses Gerätes alle Sicherheitsanweisungen.
- Dieses Handbuch enthält wichtige Informationen zu Sicherheitsfragen. Achten Sie bitte darauf, alle Anweisungen einzuhalten.
- Nach Installation der Schnittstelle händigen Sie dieses Installationshandbuch bitte dem Benutzer aus.  
Weisen Sie die Benutzer bitte darauf hin, das Handbuch und die Garantie für die Klimaanlage an einem sicheren Ort aufzubewahren.



### Warnung

(Unsachgemäße Handhabung kann schwerwiegende Folgen wie Verletzungen oder den Tod nach sich ziehen.)

■ **Benutzer dürfen die Schnittstelle nicht eigenhändig installieren.**

Unsachgemäße Installation kann bei Herunterfallen der Schnittstelleneinheit einen Brand, einen Stromschlag oder einen Schaden/Wasseraustritt zur Folge haben. Ziehen Sie den Fachhändler, bei dem Sie die Anlage gekauft haben, oder einen Fachkundendienst zu Rate.

■ **Die Schnittstelle muß gemäß den beigefügten Installationsanweisungen sicher installiert werden.**

Unsachgemäße Installation kann bei Herunterfallen der Schnittstelleneinheit einen Brand, einen Stromschlag oder einen Schaden/Wasseraustritt zur Folge haben.

■ **Die Einheit muß an einem Ort mit genügend Tragkraft für ihr Gewicht montiert werden.**

Bei Installation in einem Bereich mit nicht genügend Tragkraft kann die Einheit herunterfallen und Schäden verursachen.

■ **Bringen Sie Abdeckung für die Elektroteile sicher an der Schnittstelleneinheit an.**

Wenn die Abdeckung für die Elektroteile der Schnittstelleneinheit nicht sicher angebracht ist, kann Wasser oder Staub eindringen und einen Brand oder einen Stromschlag verursachen.

■ **Zur Installation dürfen nur Teile von Mitsubishi oder sonstige, ausdrücklich dafür vorgesehene Teile verwendet werden.**

Unsachgemäße Installation kann bei Herunterfallen der Schnittstelleneinheit einen Brand, einen Stromschlag oder einen Schaden/Wasseraustritt zur Folge haben.

■ **Bei Durchführung von Elektroarbeiten halten Sie sich bitte an die Technical Standards Regarding Electrical Equipment (Technische Normen für Elektroeinrichtungen) und die Interior Wiring Standards (Normen für Innenverdrahtung), befolgen Sie bitte die im Handbuch enthaltenen Anweisungen, und stellen Sie sicher, einen gesonderten Stromkreis zu verwenden.**

Ungenügende Leitungskapazität oder unsachgemäße Installation kann zu einem Brand oder einem Stromschlag führen.

## 2. Vor Installation

### 2.1. Wie man die M-NET-Schnittstelle verwendet

#### ⚠ Vorsicht

Bei Verwendung der Fernbedienung eines gebündelten Klimaanlage-Systems (city-multi) können Sie die gruppierten Klimaanlage- und die Raumklimaanlagen nicht in der gleichen Gruppe anmelden. Melden Sie daher gruppierte Klimaanlage- und Raumklimaanlagen in verschiedenen Gruppen an.

#### ■ Funktionen

Zentral- und Einzelverwaltung von Geräten der Serien M/P/S mit M-NET(\*).

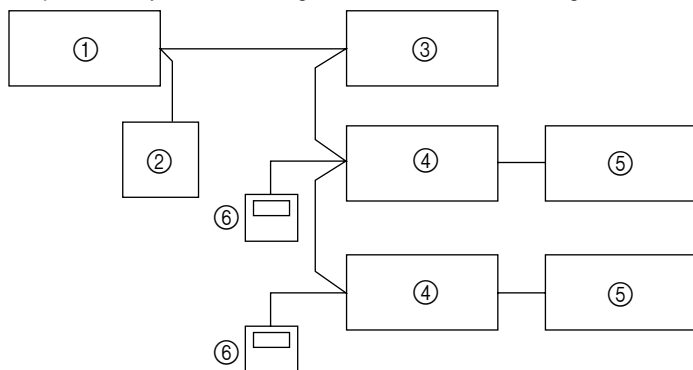
\* Typ einer Steuerung für eine gruppierte Klimaanlage (city-multi)

#### ■ Verwandte Produkte, die gesondert erhältlich sind

- ME-Fernbedienung PAR-F27MEA
- Zentrale Fernbedienung G-50A
- System-Fernbedienung PAC-SF44SRA
- ON/OFF (EIN/AUS)-Fernbedienung PAC-YT40ANRA
- Zeitplan-Timer (M-NET) PAC-YT34STA
- Netzteil PAC-SC50KUA

#### ■ Beispiel einer Systemanordnung (nur Außengeräte der M/S-Serie)

Beispiel einer Systemanordnung mit zentraler Fernbedienung



- ① Zentrale Fernbedienung (M-NET)
- ② Netzteil
- ③ System einer gruppierten Klimaanlage
- ④ M-NET-Schnittstelle
- ⑤ Innengerät
- ⑥ ME-Fernbedienung

\* Die maximale Anzahl der an der zentralen Fernbedienung (G-50A) anschließbaren Geräte ist 50, einschließlich gebündelter Klimaanlage- und Raumklimaanlagen. Die Elektroleitung von der M-NET-Schnittstelle zur zentralen Fernbedienung kann maximal eine Länge von 500 m haben. Die Elektroleitung von der M-NET-Schnittstelle zur ME-Fernbedienung kann maximal eine Länge von 10 m haben. Einzelheiten entnehmen Sie bitte dem MELANS-Katalog sowie den Bedienungsanleitungen der zentralen Fernbedienung und der ME-Fernbedienung.

### 2.2. Zubehör

Vor Installation der Vorrichtung stellen Sie bitte sicher, dass alle benötigten Teile vorhanden sind.

#### ■ Zubehör

①	Schnittstelleneinheit (mit 5-adriges Verbindungskabel)	1
②	Montagehalterungen	1
③	Schrauben für Montage ② 3,5 × 12	4
④	Polstermaterial (mit Klebemittel)	1
⑤	Kabelklemme für Montage (klein)	2
⑥	Kabelklemme für Montage (groß)	2
⑦	Schrauben für Montage ⑤ and ⑥ 3,5 × 12	2
⑧	Schraube für Montage ⑤ and ⑥ 4 × 10 * Verwenden Sie dies, wenn Sie eine Kabelklemme an und in Nähe der M-Serie befestigen.	1
⑨	Schraube für Montage ⑤ and ⑥ 4 × 16 * Verwenden Sie dies, wenn Sie eine Kabelklemme zusammen mit den Teilen der M-Serie befestigen.	1
⑩	Kabelbinder	4
⑪	Befestigungen (zum Zusammenbinden der Zuleitungsdrähte)	5
⑫	Kabelklemme für Elektroleitung	5
⑬	Schrauben für Montage ⑫ 3,5 × 12	5
⑭	Schrauben 3,5 × 12 für Montage des Schnittstellen-Gehäuses	2

#### ■ Am Installationsort Vorzubereitendes

A	Anschlußleitung (zentrale Fernbedienung) Ummantelte Elektroleitung CVVS/CPEVS
B	Anschlußleitung (zum Anschluß der ME-Fernbedienung) Fernbedienungsleitungen (2-adrige, ummantelte Leitung 0,3 mm <sup>2</sup> )
C	Verwandte Teile, gesondert erhältlich * Erfassen Sie die für Ihr System benötigte Anzahl von Teilen, die gesondert erhältlich sind.

\* CPEVS; mit PE isoliertes, mit PVC ummanteltes, abgeschirmtes Datenaustauschkabel

\* CVVS; mit PVC isoliertes, mit PVC ummanteltes, abgeschirmtes Steuerkabel

PE: Polyäthylene PVC: Polyvinylchlorid

### 3. Montage der M-NET-Schnittstelleneinheit

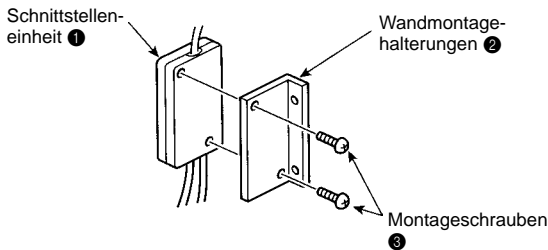
Das M-NET-Interface sollte an einem Ort platziert werden, von dem aus das 5-adrige Anschlusskabel am Interface mit einem Innegerät verbunden werden kann.

Verlängern Sie das 5-adrige Anschlusskabel nicht. Dies führt zu Fehlfunktionen des Gerätes.

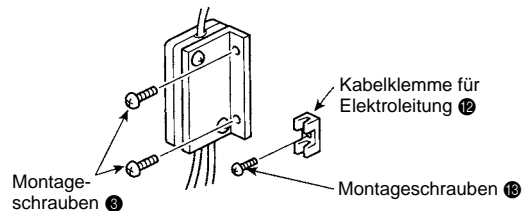
Montieren Sie die Schnittstelleneinheit mit 2 oder mehr Schrauben sicher an einem Pfeiler oder an einer Wand.

#### ■ Bei Verwendung von Wandmontagehalterungen ②

1 Befestigen Sie die Wandmontagehalterungen ② an der Schnittstelleneinheit ① mit 2 Montageschrauben ③.

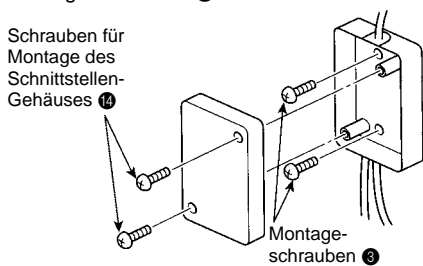


2 Montieren Sie die Einheit mit 2 Montageschrauben ③ an einem Pfeiler oder an einer Wand.

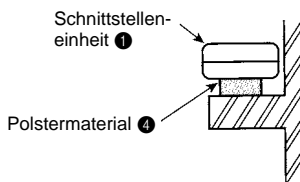


#### ■ Bei Montage direkt an einer Wand

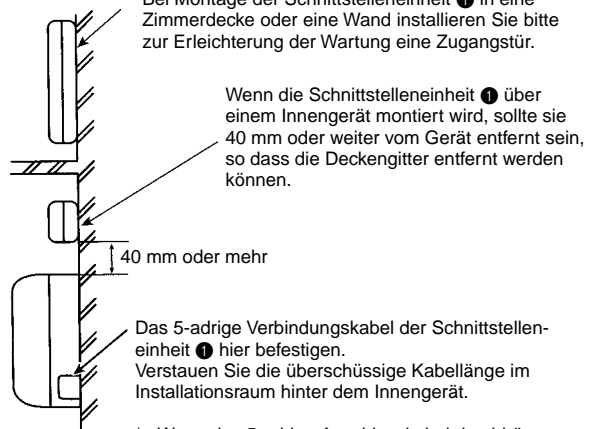
Montieren Sie das Gehäuse der Schnittstelleneinheit ① mit den Montageschrauben ③ an der Wand.



\* Achten Sie bitte bei Montage der Schnittstelleneinheit ① unter Verwendung von Polstermaterial ④ darauf, diese an einem Ort zu montieren, an dem sie nicht herunterfallen kann.



Bei Montage der Schnittstelleneinheit ① in eine Zimmerdecke oder eine Wand installieren Sie bitte zur Erleichterung der Wartung eine Zugangstür.



Wenn die Schnittstelleneinheit ① über einem Innegerät montiert wird, sollte sie 40 mm oder weiter vom Gerät entfernt sein, so dass die Deckengitter entfernt werden können.

Das 5-adrige Verbindungskabel der Schnittstelleneinheit ① hier befestigen. Versteuen Sie die überschüssige Kabellänge im Installationsraum hinter dem Innegerät.

\* Wenn das 5-adrige Anschlusskabel durchhängen sollte, verwenden Sie eine Befestigung ⑪, um das Kabel zu befestigen.

## 4. Einstellen der Schalter

Wenn das System nicht richtig angeordnet ist, arbeitet die Einheit nicht ordnungsgemäß. Sie sind möglicherweise nicht in der Lage, die Funktionen des Innengerätes von der Systemsteuerung/ME-Fernbedienung aus zu steuern, oder es können Funktionen, die auf Ihrem Innengerät nicht verfügbar sind, auf der Anzeige der Systemsteuerung/ME-Fernbedienung erscheinen. Daher müssen Sie vor Anschluß an das Stromnetz dafür sorgen, daß das System ordnungsgemäß angeordnet ist.

### ■ SW500 No. 1, No. 2 - Nicht benutzt

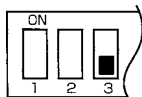
Diese müssen auf OFF (AUS) eingestellt sein (wenn sie auf ON (EIN) eingestellt sind, erfolgt kein ordnungsgemäßer Datenaustausch der Vorrichtung mit der Systemsteuerung).

### ■ SW500 No. 3 - Netz On/Off (Ein/Aus)-Einstellungen

Diese Einstellung zeigt an, ob bei Stromzufuhr zum Innengerät oder der M-NET-Schnittstelle das Innengerät aus- oder eingeschaltet werden muss.

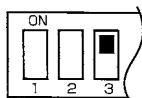
#### Einschalten bei Stromzufuhr No (Nein)

[Bei Stromzufuhr bleibt die Einheit ausgeschaltet.]



#### Einschalten bei Stromzufuhr Yes (Ja)

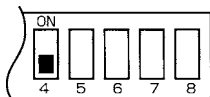
[Bei Stromzufuhr schaltet sich die Einheit ein.]



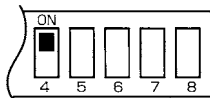
### ■ SW500 No. 4 – Verfügbarkeit des Reiniger- oder Gebläsebetriebs

Wenn auf der drahtlosen Fernbedienung keine "Purifier" (Reiniger)-Taste vorhanden ist, und wenn das Wort "Fan" (Gebläse) bei Drücken der "Mode" (Betriebsart)-Taste nicht erscheint, sind die Betriebsarten Reiniger und Gebläse nicht verfügbar (auf OFF (AUS) eingestellt).

#### Hat keine Betriebsart Reiniger oder Gebläse



#### Hat eine Betriebsart Reiniger oder Gebläse



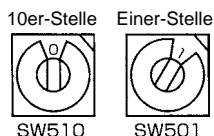
### ■ SW500 No. 5–No. 8 - Funktionsprüfung M-Serie

SW500	Funktionsbeschreibung	Wie man eine Funktion überprüft	OFF	ON
No. 5	Verfügbarkeit des Automatikbetriebs (eine Betriebsart, die es der Klimaanlage ermöglicht, zu bestimmen, ob Kühlen oder Heizen gewählt wird).	Wenn "Auto" beim Drücken der "Mode" (Betriebsart)-Taste auf der drahtlosen Fernbedienung nicht angezeigt wird, ist der Automatikbetrieb nicht verfügbar (OFF) (AUS).	Hat keinen Automatikbetrieb	Hat einen Automatikbetrieb
No. 6	Verfügbarkeit einer Einstellung für die Gebläseschwingung	Wenn "Oscillate" (Schwingen) beim Drücken der Taste "Fan Direction" (Gebläserichtung) auf der drahtlosen Fernbedienung angezeigt wird, ist die Gebläseschwingungseinstellung verfügbar (OFF) (AUS). (Wenn keine Taste "Fan Direction" (Gebläserichtung) vorhanden ist, ist die Einstellung OFF (AUS).)	Hat eine Gebläseschwingungseinstellung	Hat keine Gebläseschwingungseinstellung
No. 7	Verfügbarkeit einer Einstellung für die Gebläserichtung	Wenn auf der drahtlosen Fernbedienung eine "Gebläserichtungs"-Taste vorhanden ist, ist die Einstellung der Gebläserichtung verfügbar (OFF) (AUS).	Hat eine Gebläserichtungseinstellung	Hat keine Gebläserichtungseinstellung
No. 8	Verfügbarkeit einer Betriebsart Heizen	Wenn "Heat" (Heizen) bei Drücken der "Mode" (Betriebsart)-Taste auf der drahtlosen Fernbedienung erscheint, handelt es sich bei der Einheit um ein Modell, das sowohl Kühlen als auch Heizen anbietet (OFF) (AUS).	Duales Modell für Kühlen und Heizen	Gerät nur zum Kühlen

### ■ SW510, SW501 - Adressen-Einstellungen

Gibt die Adressen-Einstellungen für Zentralverwaltung an (die Adressen-Einstellungen können von 01-50 vorgenommen werden).

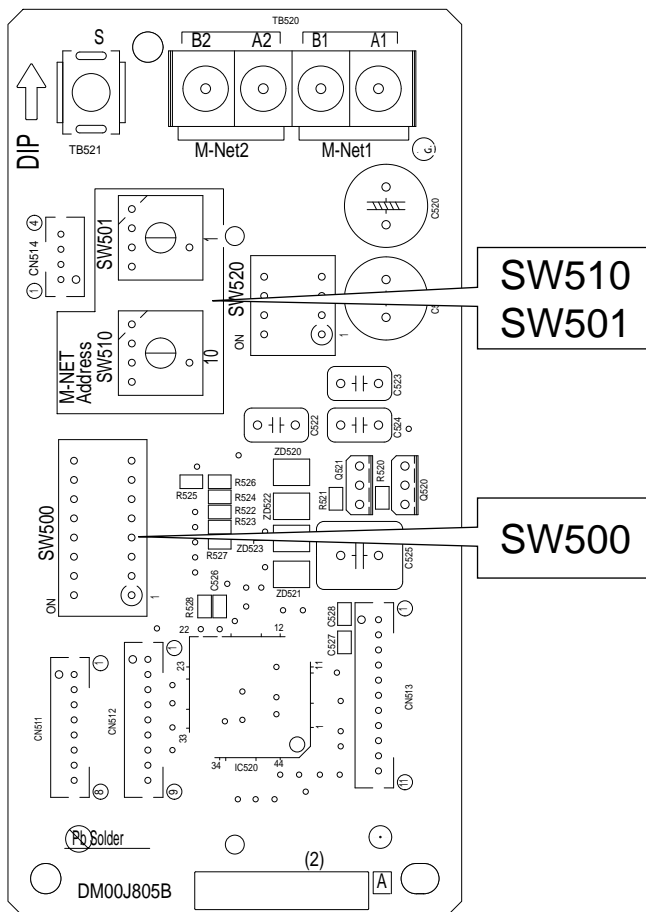
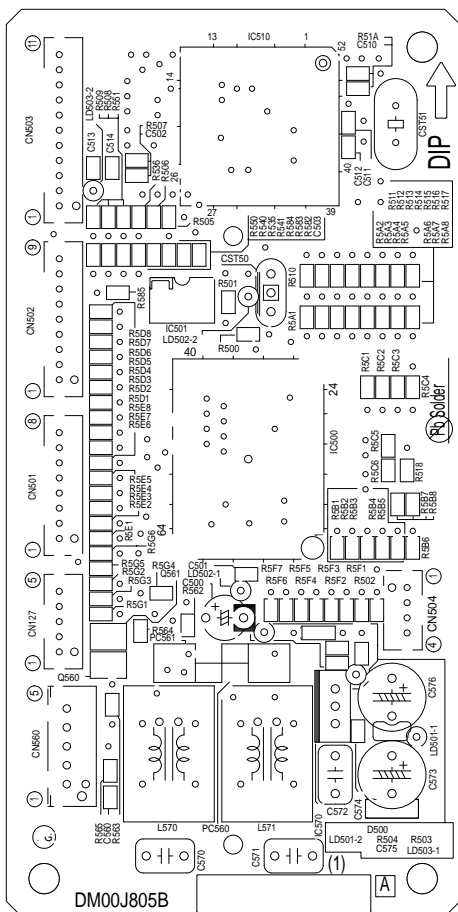
#### Selbstadressierung



SW510 dient zur Einstellung der 10er-Stelle der Adresse, SW501 zur Einstellung der Einer-Stelle der Adresse.

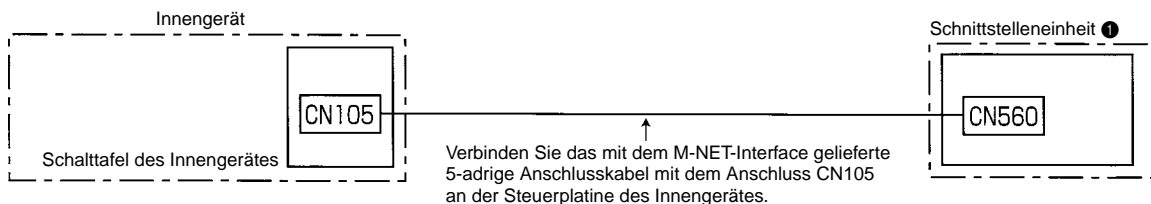
Zur Einstellung eines Gerätes beispielsweise auf die Adresse 25 stellen Sie den SW510 auf "2" und den SW501 auf "5" ein.

■ Stellung der SW500, SW501, SW510

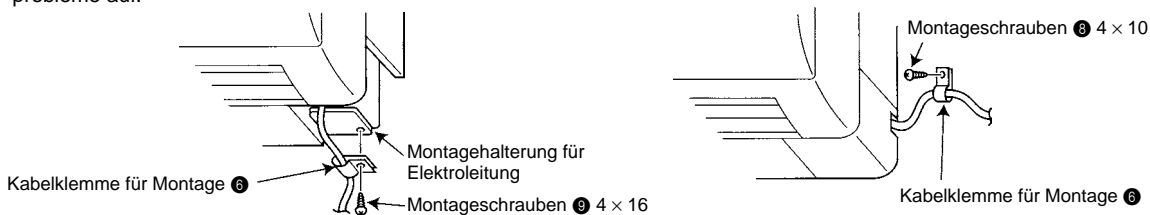


## 5. Anschluss der M-NET-Schnittstelle an ein Innengerät

Schließen Sie die Schalttafel der M-NET-Schnittstelle an die Schalttafel des Innengerätes an.



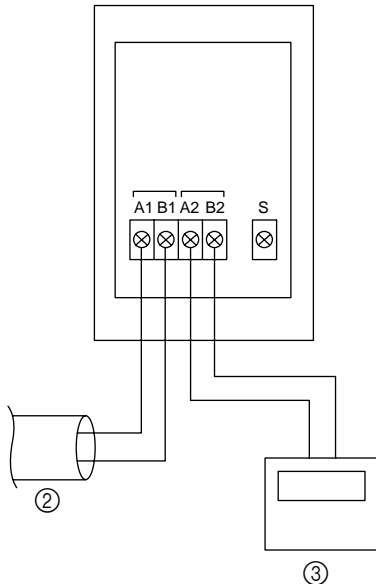
- 5-adrige Anschlusskabel, die am Innengerät angeschlossen sind, sollten am Innengerät oder in unmittelbarer Nähe befestigt werden. Wenn das 5-adrige Anschlusskabel nicht sicher befestigt ist, könnte sich der Stecker lösen, brechen oder es treten Kontaktprobleme auf.



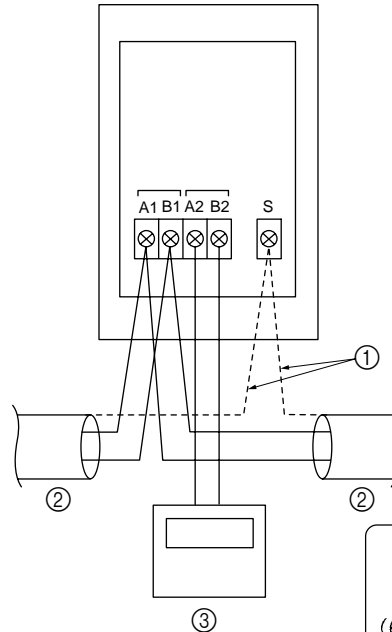
## 6. Anschluß der M-NET-Schnittstelle, des Netzanschlusses und der ME-Fernbedienung

- Schließen Sie beim Anschluß des Gerätes an eine Systemsteuerung oder an eine ME-Fernbedienung die Übertragungsleitung des M-NET an die Steuersignalklemme an. Schließen Sie die 2-adrigen Verbindungsleitungen **A** an A1/B1 oder A2/B2 an (sie können an die eine oder die andere angeschlossen werden).
- Kreuzen Sie bei der Kreuzverdrahtung (Rangierverteilung) der Anschlußleitungen den abgeschirmten Teil jeder Anschlußleitung nur unter Verwendung der S-Klemme.
- Beim Anschließen der Anschlußleitungen **A** und der Anschlußleitungen **B** der ME-Fernbedienung an die Klemmleiste brauchen Sie sich nicht um die Polarität zu kümmern.

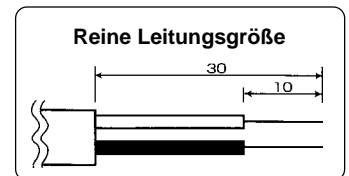
Wenn die Anschlußleitungen **A** nicht kreuzverdrahtet sind



Wenn die Anschlußleitungen **A** kreuzverdrahtet sind

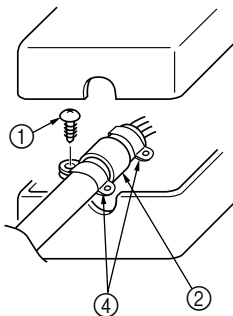


- ① Abschirmung
- ② Anschlußleitungen **A** (M-NET-Übertragungsleitung)
- ③ ME-Fernbedienung (nur bei Bedarf)



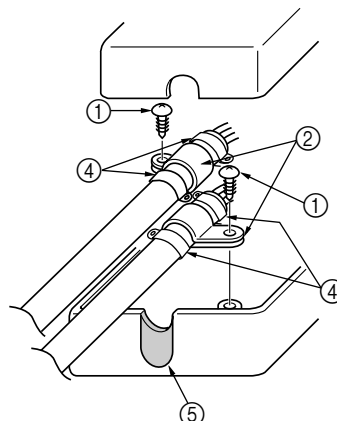
- Nach Abschluss der Verdrahtung sichern Sie die Elektroleitungen bitte mit der Kabelklemme(groß) und den Kabelbindern.

Wenn die Anschlussleitung **A** nicht kreuzverdrahtet ist



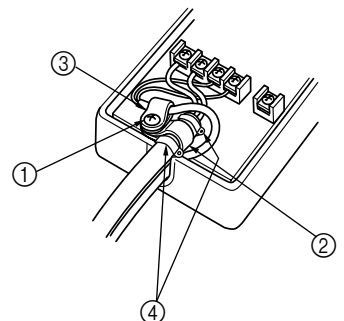
- ① Schrauben
- ② Kabelklemme (groß)
- ③ Kabelklemme (klein)

Wenn die Anschlussleitung **A** kreuzverdrahtet ist



- ④ Kabelbinder
- ⑤ Mit einer Kneifzange an den Kerben abschneiden. Achten Sie bitte darauf, daß die Schnittfläche keine Grate aufweist, damit die Anschlußleitung nicht beschädigt wird.

Bei Verwendung der ME-Fernbedienung



### ⚠ Vorsicht

- Elektroarbeiten müssen gemäß den Technical Standards Regarding Electrical Equipment (Technische Normen für Elektroeinrichtungen) und den Interior Wiring Standards (Normen für Innenverdrahtung) durchgeführt werden.
- Anschlußleitungen und Leitungen für die Fernbedienung müssen so weit entfernt wie möglich von anderen Elektroleitungen verlaufen. Zu nahes Nebeneinanderlaufen kann Fehlfunktionen verursachen.

## 7. Hinweise zur Benutzung

Vor dem Versuch eines Testlaufs lesen Sie bitte diese Informationen sorgfältig durch.

Die folgenden Kontrollinformationen müssen dem Benutzer dieser Vorrichtung gründlich erläutert und ausgehändigt werden. (Bitte händigen Sie diese Anweisungen nach Abschluß der Installation dem Benutzer aus.)

- \* Diese M-NET-Schnittstelle betreibt Geräte der Serien M/P/S mittels der Steuerung einer gruppierten Klimaanlage (city-multi), es gibt jedoch verschiedene Einschränkungen, die sich aus den Funktionsunterschieden zwischen Geräten der Serien M/P/S und gruppierten Klimaanlagen ergeben.
1. Bei Betrieb des Systems mittels einer Systemsteuerung oder einer ME-Fernbedienung erscheinen diese Funktionen nicht in der Anzeige der kabellosen Fernbedienung.
  2. Die nur bei der M-Serie verfügbaren Funktionen (z. B. ECONO COOL) können nicht mittels der ME-Fernbedienung/Systemsteuerung betrieben werden. Wird eine solche Funktion mittels der mit dem Gerät der M-Serie gelieferten Fernbedienung eingestellt, erscheint diese nicht in der Anzeige der ME-Fernbedienung/Systemsteuerung.
  3. Funktionen, die auf der ME-Fernbedienung/Systemsteuerung, jedoch nicht beim Gerät der M/P/S-Serie verfügbar sind, können durch Umschalten auf eine getrennte, vorher festgelegte Betriebsart betrieben werden. (Siehe "Tabelle der Funktionen, die von der ME-Fernbedienung/Systemsteuerung betätigt werden.")
  4. Funktionen, die auf der Fernbedienung des Gerätes der M/P/S-Serie, nicht aber auf der ME-Fernbedienung/Systemsteuerung verfügbar sind, erzeugen eine vorbestimmte Anzeige im Display. In diesem Fall können der tatsächliche Betrieb und die Anzeige voneinander abweichen. (Wenn die Gebläsedrehzahl mittels der mit dem Gerät der M/P/S-Serie gelieferten Fernbedienung automatisch eingestellt wird, erscheint die Einstellung "High" (Hoch) auf der ME-Fernbedienung/Systemsteuerung. Ebenso erscheint, wenn die Gebläserichtung automatisch eingestellt wird, die Einstellung "Downward Air Flow 80%" (abwärts gerichteter Luftstrom 80%) auf der ME-Fernbedienung/Systemsteuerung.)
  5. Weil der Temperaturbereich des Gerätes der M/S-Serie größer ist als der der ME-Fernbedienung/Systemsteuerung, zeigt die Temperaturanzeige auf der ME-Fernbedienung/Systemsteuerung die minimale oder maximale Temperatur, die eingestellt werden kann, wenn das Gerät der M/S-Serie niedriger als 17 °C oder höher als 30 °C eingestellt ist. (Selbst wenn z. B. die Raumklimaanlage zum Kühlen eines Raumes auf 16 °C eingestellt ist, zeigt die Anzeige auf der ME-Fernbedienung/Systemsteuerung möglicherweise "17 °C" an.)  
Das Gerät der M/S-Serie arbeitet entsprechend der durch das Gerät der M/S-Serie festgestellten Raumtemperatur.
  6. Timer-Betriebsarten dürfen nur mittels der mit dem Gerät der M/P/S-Serie gelieferten Fernbedienung oder der ME-Fernbedienung/Systemsteuerung eingestellt werden. Wenn beide zur Einstellung des Timers auf die gleiche Zeit benutzt werden, arbeitet der Timer nicht ordnungsgemäß.
  7. Wenn der Timer mittels der mit dem Gerät der M/P/S-Serie gelieferten Fernbedienung eingestellt wird, wird die Timer-Information nicht auf der ME-Fernbedienung/Systemsteuerung angezeigt.
  8. Wenn der Timer mittels der ME-Fernbedienung/Systemsteuerung eingestellt wird, wird die dort eingestellte Zeit selbst dann nicht gelöscht, wenn das Gerät mittels der mit dem Gerät der M/P/S-Serie gelieferten Fernbedienung ausgeschaltet wird.
  9. Wenn manueller Betrieb mittels der Systemsteuerung ausgeschlossen ist, arbeitet die mit dem Gerät der M/P/S-Serie gelieferte Fernbedienung nicht, aber der bei Normalbetrieb erzeugte Piepton ist weiterhin zu hören.
  10. Zum Löschen einer falschen Meldung aus dem Display der ME-Fernbedienung/Systemsteuerung schalten Sie das Gerät mittels der ME-Fernbedienung/Systemsteuerung oder der mit dem Gerät der M/P/S-Serie gelieferten Fernbedienung kurz aus. (Es kann sein, dass die falsche Anzeige auf dem Gerät der Klimaanlage automatisch gelöscht wird, aber sie wird nicht aus der ME-Fernbedienung/Systemsteuerung gelöscht, bis das Gerät ausgeschaltet wird.)
  11. Der in der ME-Fernbedienung eingebaute Raumtemperatursensor kann nicht verwendet werden.



## 8. Tabelle der Funktionen, die von der ME-Fernbedienung/Systemsteuerung betätigt werden

Diese Tabelle zeigt die Funktionen des Gerätes der M/P/S-Serie, die mittels der ME-Fernbedienung/Systemsteuerung aktiviert werden können.

[Symbol] ○: Verfügbar/△: Verfügbar mit Einschränkungen im Display/×: Nicht verfügbar/- : Nicht anwendbar (keine Funktionalität)

Funktionen *1		ME-Fernbedienung	G-50A	BACnet/F	LM-AP
Ein/Aus	Einschalten (Betrieb)	○	○	○	○
	Ausschalten (Stopp)	○	○	○	○
Modus	Automatikbetrieb (Betrieb)	○	○	○	○
	Manuell kühlen (Cool)	○	○	○	○
	Manuell heizen (Heat)	○	○	○	○
	Manuell trocknen (Dry)	○	○	○	○
	Luftreinigung (Ventilator)	○	○	○	○
Gebläse- geschwindigkeit (MSZ, S, P)	Niedrig (Erste: Low)	○	○	○	○
	Med. (Zweite: Medium2) Med. (Dritte: Medium2)	○	○	○	○
	Hoch (Dritte: Medium1) Hoch (Vierte: High)	○	○	○	○
	Superhoch (Vierte: High)	○	○	○	○
	AUTO	△ (High)	△ (High)	△ (High)	△ (High)
Ventilator- geschwindigkeit (MFZ)	Niedrig (Erste: Low)	○	○	○	○
	Med. (Zweite: Medium) Med. (Zweite: Medium1)	○	○	○	○
	Hoch (Dritte: Medium) Med. (Zweite: Medium2)	○	○	○	○
	Superhoch (Vierte: High)	○	○	○	○
	AUTO	△ (High)	△ (High)	△ (High)	△ (High)
Luftstrom- richtung	Position1 (Horizontal)	○	○	○	—
	Position2 (Nach unten Position2)	○	○	○	—
	Position3 (Nach unten Position3)	○	○	○	—
	Position4 (Vertikal)	○	○	○	—
	Position5 (Vertikal)	○	○	○	—
	Schwenkbetrieb	○	○	○	—
	AUTO	△ (Nach unten Position3)	△ (Nach unten Position3)	△ (Nach unten Position3)	—
Eingestellte Temperatur	16°C–31°C	○	○	○	○
Monitor	Timer-Anzeige	×	×	×	×
	Einlasstemp. (10–38°C) *2	△	△	○	○

\*1: Funktionen, die bei Geräten der M/P/S-Serie (MAC-399IF) nicht verfügbar sind, lassen sich nicht ausführen.

Die Anzeige auf M-NET-Seite erfolgt in Klammern ( ).

\*2: Die Anzeige erscheint nicht auf der kabellosen Fernbedienung.

## 9. Technische Daten

Seite der Klimaanlage	Eingangsspannung	12 V $\overline{\text{---}}$
	Leistungsaufnahme	0,6 W
	Eingangsstrom	0,05 A
Seite des M-NET	Eingangsspannung	17–24 V $\overline{\text{---}}$

# Table des matières

1. Consignes de Sécurité .....	18
2. Avant l'Installation .....	19
3. Fixation de l'Interface M-NET .....	20
4. Configuration des Commutateurs .....	21
5. Connexion de l'interface M-NET à l'appareil intérieur .....	22
6. Connexion de l'Interface M-NET, de l'alimentation, et de la Télécommande ME .....	23
7. Remarques Concernant l'Utilisation .....	24
8. Tableau des fonctions sélectionnées à partir de la Télécommande ME/du Contrôleur de Système .....	25
9. Caractéristiques .....	25

## 1. Consignes de Sécurité

- Lisez ces Consignes de Sécurité avant de procéder à l'utilisation de l'appareil.
- Ce manuel contient des informations importantes concernant la sécurité. Veuillez respecter les consignes contenues dans ce manuel.
- Après l'installation de l'Interface, veuillez remettre ce Manuel d'Installation à l'utilisateur. Dites à l'utilisateur qu'il devrait toujours conserver le Mode d'Emploi et la Garantie relatifs au climatiseur au même endroit et à portée de main.

### **Avertissement**

(Toute manipulation incorrecte pourrait avoir de graves conséquences, y compris des blessures ou la mort.)

- **Les utilisateurs ne devraient pas tenter d'installer l'Interface eux-mêmes.**  
Une installation incorrecte pourrait provoquer un incendie, un choc électrique, ou des dommages/fuites d'eau si l'Interface venait à tomber. Consultez le revendeur qui vous a vendu l'appareil ou un installateur agréé.
- **L'Interface doit être installée en toute sécurité conformément aux Instructions d'Installation fournies.**  
Une installation incorrecte pourrait provoquer un incendie, un choc électrique, ou des dommages/fuites d'eau si l'Interface venait à tomber.
- **L'appareil doit être installé dans un endroit capable de supporter son poids.**  
Si le poids de l'appareil est trop important pour l'endroit déterminé pour l'installation, l'Interface pourrait tomber et provoquer des dégâts, voire un accident.
- **Fixez correctement le couvercle du boîtier électrique sur l'Interface.**  
Si le couvercle du boîtier électrique de l'Interface n'est pas fixé correctement, de la poussière ou de l'eau pourrait pénétrer dans le boîtier, provoquant un incendie ou un choc électrique.
- **Les composants Mitsubishi ou tout autre composant mentionné dans le manuel doivent être utilisés lors de l'installation.**  
Une installation incorrecte pourrait provoquer un incendie, un choc électrique, ou des dommages/fuites d'eau si l'Interface venait à tomber.
- **Lors de toute intervention sur le système électrique, veuillez respecter les Normes Techniques applicables aux Appareils Electriques et au Câblage Intérieur, suivez les instructions fournies dans le Mode d'Emploi, et veillez à utiliser un circuit propre à l'appareil.**  
Une capacité insuffisante du circuit ou une installation incorrecte pourrait provoquer un incendie ou un choc électrique.

## 2. Avant l'Installation

### 2.1. Comment Utiliser l'Interface M-NET

#### ⚠ Précaution

Si vous utilisez une télécommande du système pour votre climatiseur monobloc (city-multi), vous ne pourrez pas enregistrer de climatiseurs monoblocs et de climatiseurs individuels au sein du même groupe. Dans ce cas, enregistrez les climatiseurs monoblocs et les climatiseurs individuels séparément.

#### ■ Fonctions

Gestion centralisée et individuelle des séries M/P/S à l'aide de l'interface M-NET(\*).

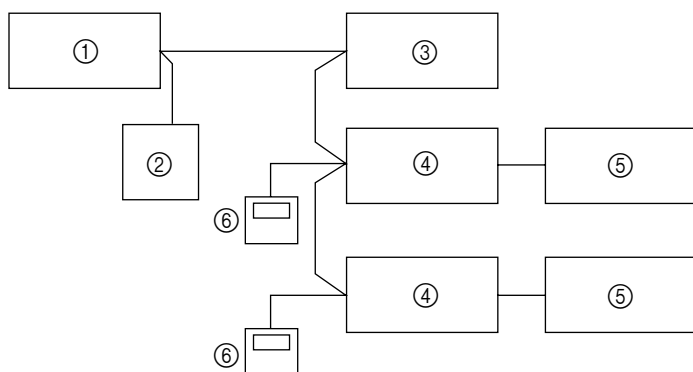
\* Système de commande de climatiseurs monoblocs mobiles (city-multi)

#### ■ Appareils Connexes Vendus Séparément

- Télécommande ME PAR-F27MEA
- Commande Centralisée G-50A
- Télécommande du système PAC-SF44SRA
- Télécommande ON/OFF (MARCHE/ARRET) PAC-YT40ANRA
- Minuterie (M-NET) PAC-YT34STA
- Unité d'alimentation PAC-SC50KUA

#### ■ Exemple de Configuration du Système (uniquement les appareils extérieurs des séries M/S)

Exemple de configuration d'un système à l'aide d'une commande centralisée



- ① Commande centralisée (M-NET)
- ② Unité d'alimentation
- ③ Système de climatiseur monobloc mobile
- ④ Interface M-NET
- ⑤ Appareil intérieur
- ⑥ Télécommande ME

\* Le nombre d'appareils pouvant être raccordés à la commande centralisée (G-50A) est de 50 maxi., climatiseurs monoblocs mobiles et climatiseurs individuels inclus. La longueur du câblage qui raccorde l'Interface M-NET à la commande centralisée ne peut dépasser 500 m. La longueur du câblage qui raccorde l'Interface M-NET à la Télécommande ME ne peut dépasser 10 m. Pour de plus amples informations, veuillez consulter le Catalogue MELANS et les Modes d'Emploi de la Commande Centralisée et de la Télécommande ME.

### 2.2. Accessoires

Avant de procéder à l'installation de l'appareil, veillez à réunir toutes les pièces nécessaires.

#### ■ Accessoires

①	Interface (avec câble de connexion à 5 noyaux)	1
②	Supports de fixation	1
③	Vis de fixation ② 3,5 × 12	4
④	Matériau de rembourrage (avec adhésif)	1
⑤	Attache-câble pour la fixation (petit)	2
⑥	Attache-câble pour la fixation (grand)	2
⑦	Vis de fixation ⑤ et ⑥ 3,5 × 12	2
⑧	Vis de fixation ⑤ et ⑥ 4 × 10 * Utiliser cette vis lors de l'installation du collier de câble sur et autour de l'appareil de série M.	1
⑨	Vis de fixation ⑤ et ⑥ 4 × 16 * Utiliser cette vis lors de l'installation du collier de câble avec les pièces de l'appareil de série M.	1
⑩	Attache-câbles	4
⑪	Fixations (pour raccorder les fils de sortie)	5
⑫	Attache-câble	5
⑬	Vis de fixation ⑫ 3,5 × 12	5
⑭	Vis de fixation du boîtier de l'Interface 3,5 × 12	2

#### ■ Pièces à Préparer sur le Site d'Installation

A	Câbles de connexion (commande centralisée) Câbles de garde CVVS/CPEVS
B	Câbles de connexion (raccordement de la Télécommande ME) Câbles de la télécommande (câble gainé à 2 noyaux de 0,3 mm <sup>2</sup> )
C	Pièces connexes vendues séparément * Veuillez préparer toutes les pièces vendues séparément nécessaires à l'installation de votre système.

\* CPEVS; câble de communication à gaine de PVC isolé au polyéthylène (PE)

\* CVVS; câble de commande à gaine de PVC isolé au polychlorure de vinyle (PVC)

PE : Polyéthylène PVC : Polychlorure de vinyle

### 3. Fixation de l'Interface M-NET

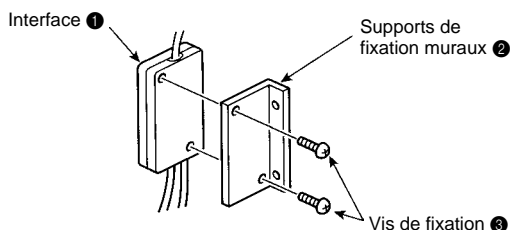
L'interface M-NET doit être placée à un endroit où le câble de connexion à 5 âmes de l'interface pourra atteindre un appareil intérieur.

Ne rallongez pas le câble de connexion à 5 âmes. Ceci provoquerait le dysfonctionnement de l'appareil.

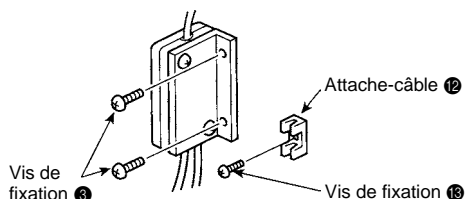
Fixez l'interface solidement sur un pilier ou sur un mur à l'aide de 2 vis minimum.

#### ■ Utilisation des Supports de Fixation Muraux ②

**1** Fixez les supports de fixation muraux ② sur l'interface ① à l'aide de 2 vis de fixation ③.

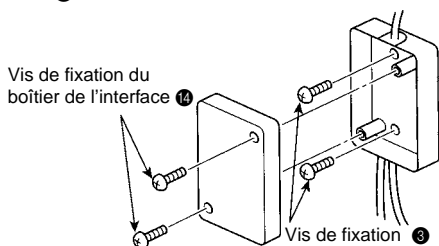


**2** Fixez l'interface sur un pied ou sur un mur à l'aide de 2 vis de fixation ③.

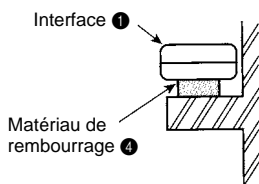


#### ■ Fixation Directement sur un Mur

Fixez le boîtier de l'interface ① au mur à l'aide des vis de fixation ③.



\* Lors de la fixation de l'interface ① à l'aide de matériau de rembourrage ④, veillez à choisir un endroit solide pour éviter qu'elle tombe.



Lors de la fixation de l'interface ① dans un plafond ou un mur, veillez à installer une porte/trappe d'accès pour faciliter toute intervention d'entretien.

Lorsque l'interface ① est fixée au-dessus d'un appareil intérieur, la placer à 40 mm minimum de l'appareil pour permettre le retrait des grilles de plafond.

40 mm minimum

Fixer le câble de connexion à 5 noyaux de l'interface ① à cet endroit. Il est possible de stocker une longueur supplémentaire de câble de connexion à 5 âmes dans l'espace réservé du réseau de gaines derrière l'appareil intérieur.

\* Si certaines portions du câble de connexion à 5 âmes sont lâches, utilisez une fixation ① pour les attacher.

# 4. Configuration des Commutateurs

Si le système n'est pas configuré correctement, le fonctionnement de l'appareil ne sera pas optimal. Il pourrait être impossible de commander les fonctions de l'appareil intérieur à partir du Contrôleur de Système/Télécommande ME ou certaines fonctions non disponibles sur votre appareil intérieur pourraient apparaître sur l'afficheur du Contrôleur de Système/Télécommande ME. Par conséquent, veuillez à configurer le système correctement avant de mettre l'appareil sous tension.

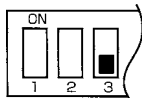
### ■ SW500 No. 1, No. 2 - Non utilisés

Ces derniers devraient être réglés sur OFF (s'ils sont réglés sur ON, la communication entre l'appareil et le Contrôleur de Système sera de mauvaise qualité).

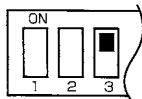
### ■ SW500 No. 3 - Configurations d'alimentation On/Off

Cette configuration indique si l'appareil intérieur doit être éteint ou allumé lorsque ce dernier ou l'interface M-NET est mis sous tension.

**Allumer lors de la mise sous tension Non**  
[L'appareil reste éteint lors de la mise sous tension.]



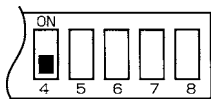
**Allumer lors de la mise sous tension Oui**  
[L'appareil s'allume lors de la mise sous tension.]



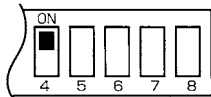
### ■ SW500 No. 4 – Présence des modes épurateur ou ventilateur

Si la télécommande sans fil ne comporte aucune touche "Epurateur", et si le mot "Ventilateur" n'apparaît pas lorsque la touche "Mode" est enfoncée, les modes épurateur et ventilateur sont indisponibles (réglés sur OFF).

**N'inclut aucun mode épurateur ou ventilateur**



**Inclut un mode épurateur ou ventilateur**



### ■ SW500 No. 5– No. 8 - Vérification du fonctionnement de l'appareil de série M

SW500	Description du fonctionnement	Contrôle d'une fonction	OFF	ON
No. 5	Présence du mode de fonctionnement automatique (ce mode aide le climatiseur à déterminer si le mode refroidissement ou chauffage doit être sélectionné).	Si "Auto" ne s'affiche pas lorsque vous appuyez sur la touche "Mode" de la télécommande sans fil, le mode de fonctionnement automatique est indisponible (OFF).	N'inclut pas de mode de fonctionnement automatique	Inclut un mode de fonctionnement automatique
No. 6	Présence d'un réglage de variation du ventilateur	Si "Oscillate" (Variation) s'affiche lorsque vous appuyez sur la touche "Fan Direction" (Direction du ventilateur) de la télécommande sans fil, le réglage de variation du ventilateur est disponible (OFF). (En cas d'absence de touche "Fan Direction", la configuration est réglée sur OFF.)	Inclut un réglage de variation du ventilateur	N'inclut pas de réglage de variation du ventilateur
No. 7	Présence d'un réglage de direction du ventilateur	Si la télécommande sans fil comporte une touche "Fan Direction", la configuration de la direction du ventilateur est disponible (OFF).	Inclut un réglage de direction du ventilateur	N'inclut pas de réglage de direction du ventilateur
No. 8	Présence d'un mode de chauffage	Si "Heat" (Chaleur) apparaît lorsque vous appuyez sur la touche "Mode" de la télécommande sans fil, ceci signifie que cet appareil offre un mode refroidissement et un mode chauffage (OFF).	Modèle de refroidissement et de chauffage	Appareil de refroidissement uniquement

### ■ SW510, SW501 - Configurations d'adresse

Précise les configurations d'adresse de la gestion centralisée (les configurations d'adresse peuvent être réglées de 01 à 50).

#### Adresse automatique

10ème position 1ère position



SW510

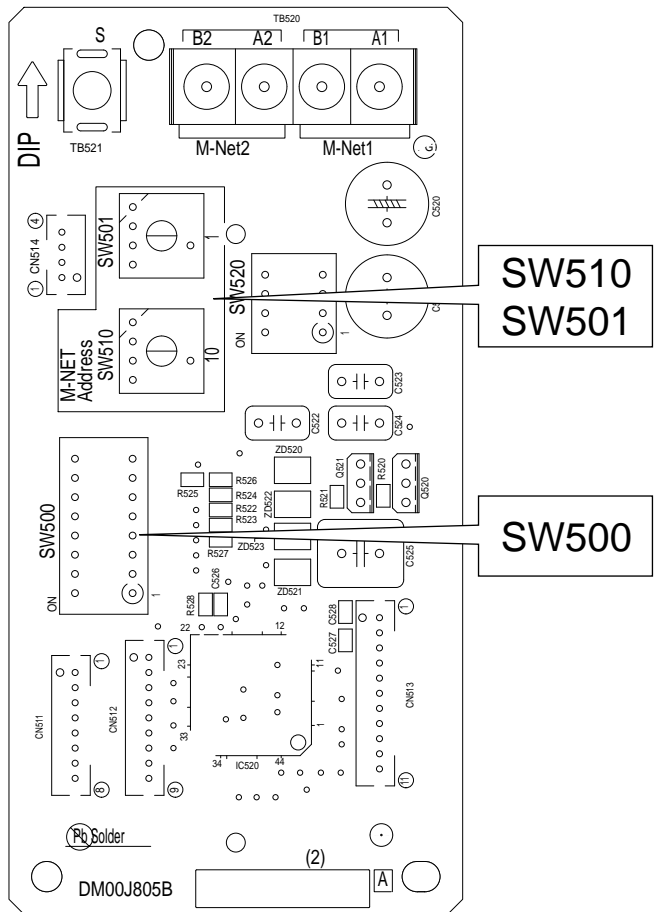
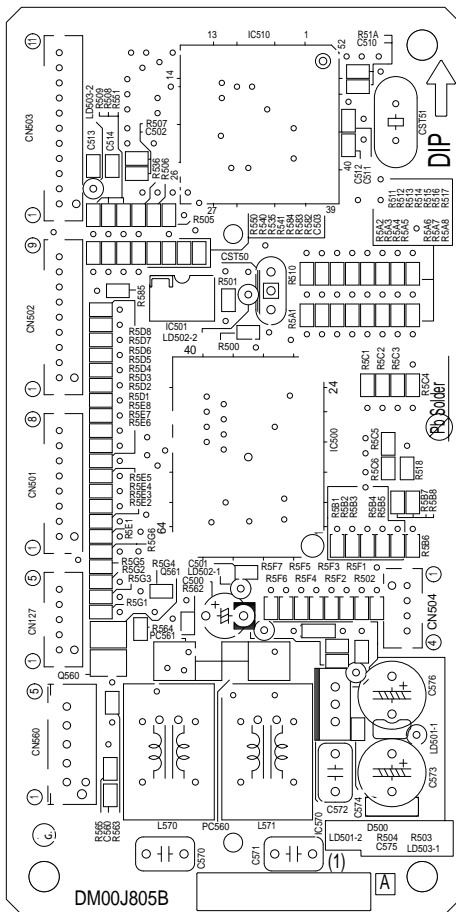


SW501

SW510 attribue la 10ème position de l'adresse et SW501 la 1ère position.

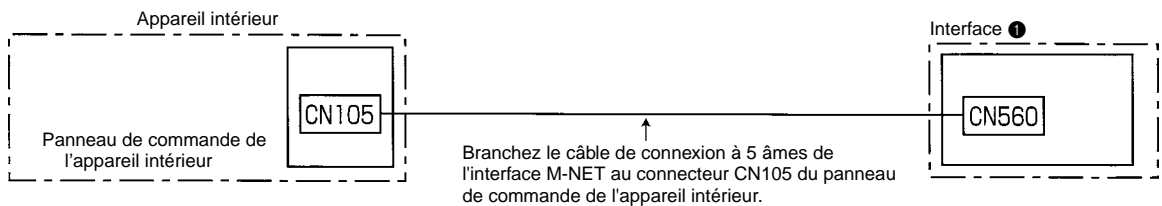
Par exemple, pour attribuer l'adresse 25 à un appareil, réglez SW510 sur "2" et SW501 sur "5".

## ■ Position de SW500, SW501, SW510

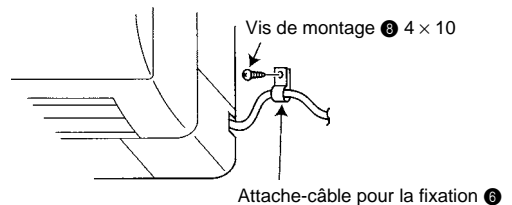
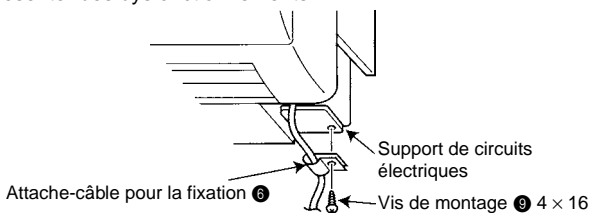


## 5. Connexion de l'interface M-NET à l'appareil intérieur

Raccordez le panneau de l'interface M-NET au panneau de commande de l'appareil intérieur.



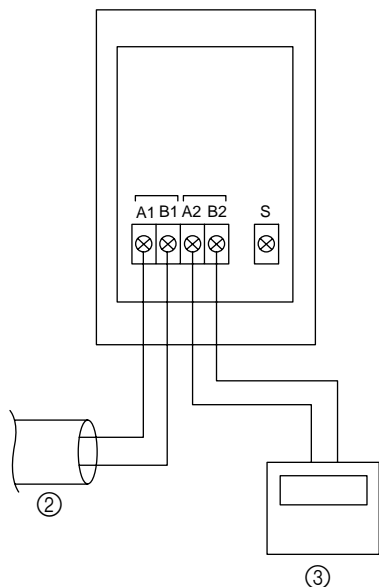
- Les câbles de connexion à 5 âmes branchés à l'appareil intérieur doivent être installés sur celui-ci ou à proximité. Si le câble de connexion à 5 âmes n'est pas fixé solidement, le connecteur risque de se détacher, de se casser ou de présenter des dysfonctionnements.



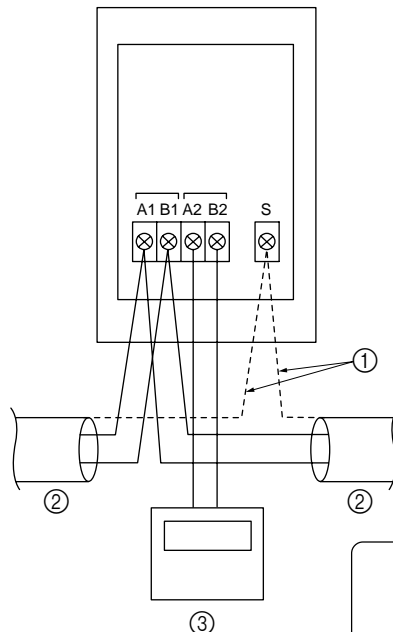
## 6. Connexion de l'Interface M-NET, de l'alimentation, et de la Télécommande ME

- Lors du raccordement de l'appareil à un contrôleur de système ou à la Télécommande ME, branchez la ligne de transmission de l'Interface M-NET à la borne du signal de commande.  
Branchez les câbles de connexion à 2 noyaux **A** sur A1/B1 ou A2/B2 (l'un ou l'autre).
- Utilisez une borne S pour croiser la portion gainée de chaque câble de connexion uniquement lors du croisement des câbles de connexion.
- Lors du raccordement des câbles de connexion **A** et des câbles de connexion de la Télécommande ME **B** au bornier, la polarité n'a pas d'importance.

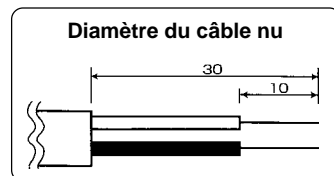
Lorsque les câbles de connexion **A** ne sont pas croisés



Lorsque les câbles de connexion **A** sont croisés

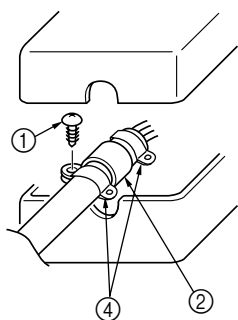


- ① Gaine
- ② Câbles de connexion **A** (câble de transmission M-NET)
- ③ Télécommande ME (uniquement si nécessaire)



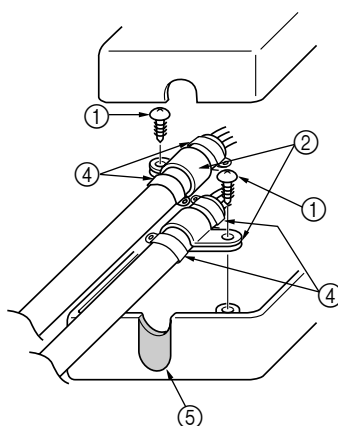
- Lorsque le câblage est terminé, fixez les câbles à l'aide du collier (grand) et des attache-câbles.

Lorsque les câbles de connexion **A** ne sont pas croisés



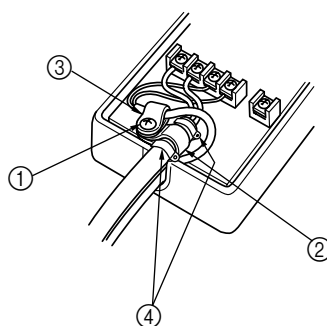
- ① Vis
- ② Attache-câble (grand)
- ③ Attache-câble (petit)

Lorsque les câbles de connexion **A** sont croisés



- ④ Attache-câbles
- ⑤ Coupez avec une pince coupante au niveau des encoches. Veillez à ce que la surface coupée soit ébarbée pour éviter toute détérioration des câbles de connexion.

Lorsque vous utilisez la télécommande ME



### ⚠ Précaution

- Toute intervention sur le système électrique doit être menée conformément aux Normes Techniques applicables aux Appareils Electriques et au Câblage Intérieur.
- Les câbles de connexion et les câbles de la télécommande doivent être placés le plus loin possible des autres câbles électriques. Leur proximité pourrait provoquer un dysfonctionnement.

## 7. Remarques Concernant l'Utilisation

Veuillez lire ces informations attentivement avant de lancer un test de fonctionnement.

Les informations de contrôle suivantes doivent être expliquées en détail et remises aux utilisateur de cet appareil. (Veuillez remettre ces instructions à l'utilisateur lorsque l'installation est terminée.)

\* Cette interface M-NET permet de faire fonctionner des appareils des séries M/P/S à l'aide des commandes du climatiseur monobloc mobile (city-multi) ; cependant, les différences fonctionnelles entre les climatiseurs des séries M/P/S et les climatiseurs monoblocs imposent des restrictions de fonctionnement.

1. Si vous faites fonctionner le système à l'aide d'un contrôleur de système ou de la Télécommande ME, ces opérations n'apparaîtront pas sur l'affichage de la télécommande sans fil.
2. Les fonctions disponibles uniquement sur les appareils de série M (c.-à-d. ECONO COOL) ne peuvent pas être utilisées à l'aide de la Télécommande ME/du Contrôleur de Système. Lorsque ces fonctions sont utilisées à l'aide de la télécommande sans fil livrée avec l'appareil de série M, le mode de fonctionnement n'apparaîtra pas sur l'affichage de la Télécommande ME/du Contrôleur de Système.
3. Les fonctions disponibles sur la Télécommande ME/le Contrôleur de Système mais indisponibles sur l'appareil de série M/P/S peuvent être sélectionnées en passant sur un mode de fonctionnement séparé prédéfini. (Consultez le "Tableau des fonctions sélectionnées à partir de la Télécommande ME/du Contrôleur de Système.")
4. Les fonctions disponibles sur la télécommande de l'appareil de série M/P/S mais indisponibles sur la Télécommande ME/le Contrôleur de Système généreront un affichage prédéfini. Dans ce cas, le fonctionnement réel et l'affichage peuvent différer. (Si la vitesse du ventilateur est réglée automatiquement à l'aide de la télécommande fournie avec l'appareil de série M/P/S, le réglage "High" (Rapide) apparaîtra sur la Télécommande ME/le Contrôleur de Système. De même, si la direction du ventilateur est en mode automatique, le réglage "Downward Air Flow 80 %" (Flux d'air vers le bas 80 %) apparaîtra sur la Télécommande ME/le Contrôleur de Système.)
5. La plage des températures de l'appareil de série M/S est plus large que celle de la Télécommande ME/du Contrôleur de Système ; par conséquent, lorsque l'appareil de série M/S est réglé sur moins de 17 °C ou plus de 30 °C, l'affichage de la température sur la Télécommande ME/le Contrôleur de Système indiquera la température minimale ou maximale qui peut être réglée. (Par exemple, même si le climatiseur individuel est réglé de façon à refroidir une pièce à 16 °C, l'affichage de la Télécommande ME/du Contrôleur de Système pourra indiquer "17 °C".)  
Le fonctionnement de l'appareil de série M/S varie selon la température qu'il détecte dans la pièce.
6. Le fonctionnement de la minuterie doit être réglé uniquement soit à l'aide de la télécommande fournie avec l'appareil de série M/P/S soit à l'aide de la Télécommande ME/du Contrôleur de Système. Si les deux télécommandes sont utilisées pour régler la minuterie, cette dernière ne fonctionnera pas correctement.
7. Lorsque la minuterie est réglée à l'aide de la télécommande fournie avec l'appareil de série M/P/S, les informations de minuterie ne s'afficheront pas sur la Télécommande ME/le Contrôleur de Système.
8. Si la minuterie est réglée à l'aide de la Télécommande ME/du Contrôleur de Système, le réglage ainsi effectué ne pourra pas être annulé même si l'appareil est éteint à l'aide de la télécommande fournie avec l'appareil de série M/P/S.
9. Lorsque certaines opérations manuelles sont interdites à l'aide du contrôleur de système, la télécommande fournie avec l'appareil de série M/P/S ne fonctionnera pas, même si le bip sonore émis en cas de fonctionnement normal retentit.
10. Pour effacer un message d'erreur sur l'affichage de la Télécommande ME/du Contrôleur de Système, éteignez brièvement l'appareil à l'aide de la Télécommande ME/du Contrôleur de Système ou de la télécommande fournie avec l'appareil de série M/P/S. (Le message d'erreur sur l'affichage du climatiseur peut être effacé automatiquement, mais il ne sera effacé de la Télécommande ME/du Contrôleur de Système que lorsque l'appareil sera éteint.)
11. Le capteur de température de la pièce intégré dans la télécommande ME ne peut pas être utilisé.



## 8. Tableau des fonctions sélectionnées à partir de la Télécommande ME/du Contrôleur de Système

Fonctions sélectionnées à partir de la télécommande fournie avec l'appareil de série M/P/S.

[Symbole] ○ : Disponible/△ : Disponible avec restrictions sur l'affichage/x: Non disponible/- : Non-applicable (pas de fonctions)

Fonctions *1		Télécommande ME	G-50A	BACnet/F	LM-AP
Marche/arrêt	Alimentation On (Fonctionnement)	○	○	○	○
	Alimentation Off (Stop)	○	○	○	○
Mode	Fonctionnement Auto (Fonctionnement)	○	○	○	○
	Refroidissement manuel (Froid)	○	○	○	○
	Chauffage manuel (Chaud)	○	○	○	○
	Déshumidification manuelle (Déshumidification)	○	○	○	○
	Epuration d'air (Ventilation)	○	○	○	○
Vitesse de ventilation (MSZ, S, P)	Basse (Premièrement : Basse)	○	○	○	○
	Moy. (Deuxièmement : Moyenne2) Moy. (Troisièmement : Moyenne2)	○	○	○	○
	Elevée (Troisièmement : Moyenne1) Elevée (Quatrièmement : Elevée)	○	○	○	○
	Très élevée (Quatrièmement : Elevée)	○	○	○	○
	AUTO	△ (Elevée)	△ (Elevée)	△ (Elevée)	△ (Elevée)
	Vitesse de ventilation (MFZ)				
Direction de l'air	Basse (Premièrement : Basse)	○	○	○	○
	Moy. (Deuxièmement : Moyenne) Moy. (Deuxièmement : Moyenne1)	○	○	○	○
	Elevée (Troisièmement : Moyenne) Moy. (Deuxièmement : Moyenne2)	○	○	○	○
	Très élevée (Quatrièmement : Elevée)	○	○	○	○
	AUTO	△ (Elevée)	△ (Elevée)	△ (Elevée)	△ (Elevée)
	Position1 (Horizontale)	○	○	○	—
Position2 (Flux vers le bas Position2)	○	○	○	—	
Position3 (Flux vers le bas Position3)	○	○	○	—	
Position4 (Verticale)	○	○	○	—	
Position5 (Verticale)	○	○	○	—	
Oscillation	○	○	○	—	
AUTO	△ (Flux vers le bas Position3)	△ (Flux vers le bas Position3)	△ (Flux vers le bas Position3)	—	
Régler température	16°C–31°C	○	○	○	○
Contrôler	Affichage de la minuterie	x	x	x	x
	Temp. d'entrée (10–38 °C) *2	△	△	○	○

\*1: les fonctions qui ne sont pas disponibles sur les appareils de série M/P/S (MAC-399IF) ne peuvent pas être utilisées.  
L'affichage du côté de l'interface M-NET est indiqué entre ( ).

\*2 : l'affichage n'apparaît pas sur la télécommande sans fil.

## 9. Caractéristiques

Côté du climatiseur	Tension d'entrée	12 V $\overline{\text{---}}$
	Consommation électrique	0,6 W
	Intensité d'entrée	0,05 A
Côté M-NET	Tension d'entrée	17–24 V $\overline{\text{---}}$

# Inhoud

1. Veiligheidsvoorschriften .....	26
2. Vóór installatie .....	27
3. De M-NET-interface-unit monteren .....	28
4. De schakelaars instellen .....	29
5. De M-NET-interface op een binnenunit aansluiten .....	30
6. De M-NET-interface, de voedingseenheid en de ME-afstandsbediening aansluiten .....	31
7. Opmerkingen over gebruik .....	32
8. Functies die via de systeem-/ME-afstandsbediening worden geactiveerd .....	33
9. Specificaties .....	33

## 1. Veiligheidsvoorschriften

- Lees alle veiligheidsvoorschriften aandachtig door voordat u dit apparaat gebruikt.
- Deze handleiding bevat belangrijke informatie over veilig gebruik van het apparaat. U dient alle aanwijzingen op te volgen.
- Geef deze installatiehandleiding na installatie van de interface aan de gebruiker.  
Adviseer gebruikers om de gebruikershandleiding en garantie voor hun kamerairconditioner op een veilige plaats op te bergen.

### **Waarschuwing**

(Onjuist gebruik kan in ernstig of dodelijk letsel resulteren.)

■ **Gebruikers dienen de interface niet zelf te installeren.**

Als de interface-unit verkeerd wordt geïnstalleerd, bestaat het risico van brand en elektrische schokken. Als de unit valt, kunnen schade/waterlekken optreden. Raadpleeg de zaak waar u de unit heeft gekocht of een professionele installateur.

■ **De interface moet stevig worden geïnstalleerd overeenkomstig de instructies in deze handleiding.**

Als de interface-unit verkeerd wordt geïnstalleerd, bestaat het risico van brand en elektrische schokken. Als de unit valt, kunnen schade/waterlekken optreden.

■ **De unit moet worden gemonteerd op een plek die het gewicht van de unit kan dragen.**

Als de interface-unit wordt geïnstalleerd op een plek die niet sterk genoeg is, kan de unit komen te vallen en schade teweegbrengen.

■ **Bevestig het deksel van de elektrische onderdelen stevig aan de interface-unit.**

Als het deksel van de elektrische onderdelen niet stevig aan de unit wordt bevestigd, kan stof of water binnendringen, wat tot brand of elektrische schokken kan leiden.

■ **Voor installatie moeten Mitsubishi-onderdelen of andere gespecificeerde onderdelen worden gebruikt.**

Als de interface-unit verkeerd wordt geïnstalleerd, bestaat het risico van brand en elektrische schokken. Als de unit valt, kunnen schade/waterlekken optreden.

■ **Houd u bij het uitvoeren van elektrische werkzaamheden aan de relevante technische normen voor elektrische apparatuur en de normen voor binnenbedrading. Volg de instructies in de gebruikershandleiding en gebruik een aparte schakeling.**

Ontoereikende capaciteit van de schakeling of verkeerde installatie kan resulteren in brand of elektrische schokken.

## 2. Vóór installatie

### 2.1. De M-NET-interface gebruiken

#### ⚠ Voorzichtig

Als u een systeemafstandsbediening voor een packaged (vrijstaande) airconditioner (city-multi) gebruikt, kunt u packaged airconditioners en room (kamer-)airconditioners niet in dezelfde groep registreren. Registreer in dit geval de packaged en room airconditioners in verschillende groepen.

#### ■ Functies

Gecentraliseerd en afzonderlijk beheer van M-, P- en S-serie met M-NET(\*).

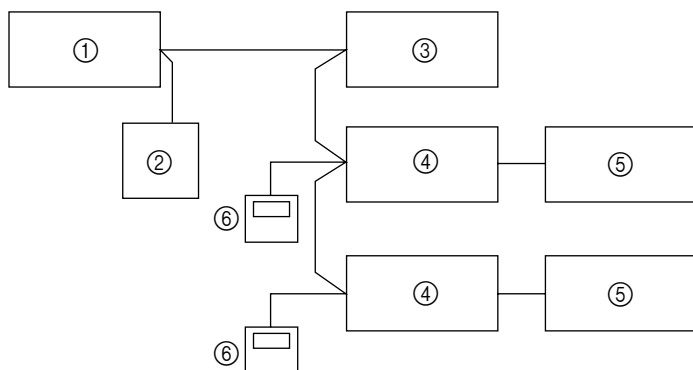
\* Type bedieningssysteem voor PAC (city-multi)

#### ■ Verwante, apart verkrijgbare producten

- ME-afstandsbediening PAR-F27MEA
- Gecentraliseerde afstandsbediening G-50A
- Systeemafstandsbediening PAC-SF44SRA
- AAN/UIT-afstandsbediening PAC-YT40ANRA
- Programmatimer (M-NET) PAC-YT34STA
- Voedingseenheid PAC-SC50KUA

#### ■ Voorbeeld van systeemconfiguratie (alleen buitenunit van M- en S-serie)

Voorbeeldconfiguratie van een systeem dat een gecentraliseerde afstandsbediening gebruikt



- ① Gecentraliseerde afstandsbediening (M-NET)
- ② Voedingseenheid
- ③ Vrijstaand airconditioningsysteem
- ④ M-NET-interface
- ⑤ Binnenunit
- ⑥ ME-afstandsbediening

\* Er kunnen maximaal 50 units op de gecentraliseerde afstandsbediening (G-50A) worden aangesloten, met inbegrip van packaged (vrijstaande) en room (kamer-)airconditioners. De bedrading van de M-NET-interface naar de gecentraliseerde afstandsbediening mag maximaal 500 meter lang zijn. De bedrading van de M-NET-interface naar de ME-afstandsbediening mag maximaal 10 meter lang zijn. Zie de MELANS-catalogus en de gebruikershandleidingen voor de gecentraliseerde afstandsbediening en de ME-afstandsbediening voor meer informatie.

### 2.2. Onderdeel

Controleer voordat u het apparaat installeert of u alle benodigde onderdelen heeft.

#### ■ Onderdeel

①	Interface-unit (met 5-aderige verbindingkabel)	1
②	Bevestigingsbeugels	1
③	Schroeven voor bevestiging van ② 3,5 × 12	4
④	Schokdempend materiaal (met kleefmiddel)	1
⑤	Snoerklem voor bevestiging (klein)	2
⑥	Snoerklem voor bevestiging (groot)	2
⑦	Schroeven voor bevestiging van ⑤ en ⑥ 3,5 × 12	2
⑧	Schroef voor bevestiging van ⑤ en ⑥ 4 × 10 * Voor bevestiging van kabelklem aan en rondom M-serie.	1
⑨	Schroef voor bevestiging van ⑤ en ⑥ 4 × 16 * Voor bevestiging van kabelklem samen met onderdelen van M-serie.	1
⑩	Kabelbeugels	4
⑪	Clips (voor het samenvoegen van de looddraden)	5
⑫	Snoerklem voor bedrading	5
⑬	Schroeven voor bevestiging van ⑫ 3,5 × 12	5
⑭	Schroeven voor bevestiging van de interfacebehuizing 3,5 × 12	2

#### ■ Items die ter plekke moeten worden gereedgemaakt

A	Verbindingsbedrading (gecentraliseerde afstandsbediening) Afgeschermde bedrading CVVS/CPEVS
B	Verbindingsbedrading (voor aansluiting van de ME-afstandsbediening) Afstandsbedieningsdraden (2-aderige draad met mantel, 0,3 mm <sup>2</sup> )
C	Verwante, apart verkrijgbare onderdelen * Maak het benodigde aantal apart verkrijgbare onderdelen voor uw systeem gereed.

\* CPEVS; PE-geïsoleerde, afgeschermde communicatiekabel met pvc-mantel

\* CVVS; pvc-geïsoleerde afgeschermde besturingskabel met pvc-mantel

PE: polyethyleen pvc: polyvinylchloride

### 3. De M-NET-interface-unit monteren

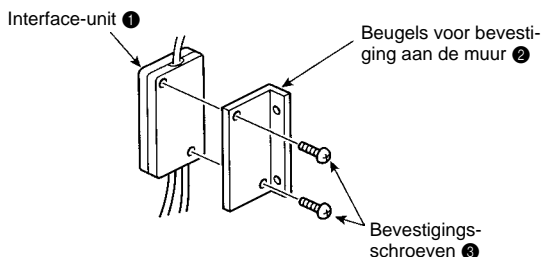
U dient de M-NET-interface-unit op een locatie te plaatsen waar de 5-aderige verbindingkabel van de interface een binnenunit kan bereiken.

Verleng de 5-aderige verbindingkabel niet. Hierdoor wordt de werking van het apparaat aangetast.

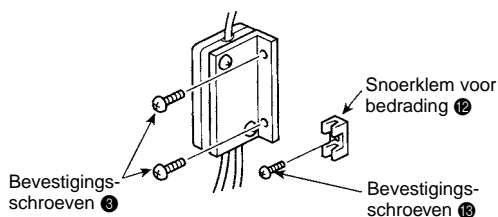
Bevestig de interface-unit stevig aan een pilaar of muur met 2 of meer schroeven.

#### ■ Bij gebruik van beugels voor bevestiging aan de muur ②

1 Bevestig de beugels ② aan de interface-unit ① met 2 bevestigingsschroeven ③.

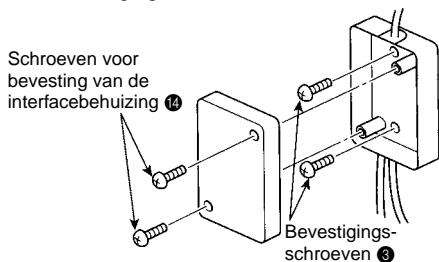


2 Bevestig de unit aan een pilaar of muur met 2 bevestigingsschroeven ③.

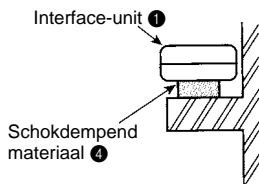


#### ■ Bij directe bevestiging aan een muur

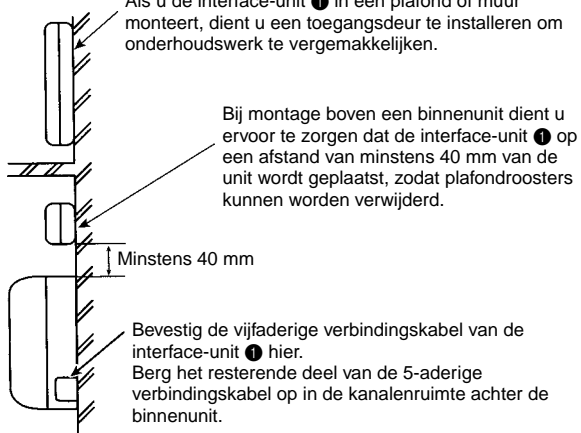
Bevestig de behuizing van de interface-unit ① aan de muur met de bevestigingsschroeven ③.



\* Bij gebruik van schokdempend materiaal ④ dient u de interface-unit ① te monteren op een plaats waar geen gevaar van vallen bestaat.



Als u de interface-unit ① in een plafond of muur monteert, dient u een toegangsdeur te installeren om onderhoudswerk te vergemakkelijken.



Bij montage boven een binnenunit dient u ervoor te zorgen dat de interface-unit ① op een afstand van minstens 40 mm van de unit wordt geplaatst, zodat plafondbroosters kunnen worden verwijderd.

Bevestig de vijfaderige verbindingkabel van de interface-unit ① hier. Berg het resterende deel van de 5-aderige verbindingkabel op in de kanalenruimte achter de binnenunit.

\* Als de 5-aderige verbindingkabel loshangt, zet u de kabel vast met een clip ⑩.

## 4. De schakelaars instellen

Als het systeem niet correct wordt geconfigureerd, zal de unit niet goed werken. In dat geval kan het gebeuren dat u de functies van de binnenunit niet kunt regelen via de systeem-/ME-afstandsbediening of dat er functies die niet beschikbaar zijn op de binnenunit verschijnen op het display van de systeem-/ME-afstandsbediening. U dient er dus voor te zorgen dat het systeem juist is geconfigureerd voordat u het aanzet.

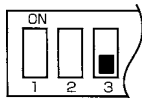
### ■ SW500 No. 1, No. 2 - Niet in gebruik

Deze schakelaars moeten op UIT staan (als ze op AAN staan, zal het apparaat niet correct communiceren met de systeem-afstandsbediening).

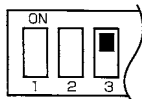
### ■ SW500 No. 3 - Aan/uit-instellingen

Deze instelling geeft aan of de binnenunit moet worden uit- of aangezet wanneer de binnenunit of de M-NET-interface van stroom wordt voorzien.

**Inschakelen bij levering van stroom Nee**  
[Unit blijft uit wanneer stroom wordt geleverd.]



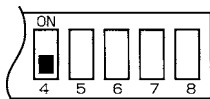
**Inschakelen bij levering van stroom Ja**  
[Unit wordt aangezet wanneer stroom wordt geleverd.]



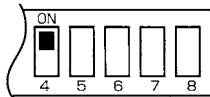
### ■ SW500 No. 4 - Beschikbaarheid van reinigings- of ventilatormodus

Als de draadloze afstandsbediening geen Purifier-knop heeft en het woord "Fan" niet verschijnt wanneer de Mode-knop wordt ingedrukt, zijn de reinigings- en ventilatormodus niet beschikbaar (op UIT ingesteld).

**Heeft geen reinigings- of ventilatormodus.**



**Heeft een reinigings- of ventilatormodus.**



### ■ SW500 No. 5–No. 8 - Functiecontrole M-serie

SW500	Functiebeschrijving	Methode voor controle van functie	OFF (UIT)	ON (ANN)
No. 5	Beschikbaarheid van de automatische bedrijfsstand (een stand waarin de airconditioner kan kiezen tussen koelen en verwarmen).	Als "Auto" niet wordt weergegeven wanneer u op de "Mode"-knop van de draadloze afstandsbediening drukt, is de automatische bedrijfsstand niet beschikbaar (OFF) (UIT).	Heeft geen automatische bedrijfsstand	Heeft een automatische bedrijfsstand
No. 6	Beschikbaarheid van een instelling voor ventilatoroscillatie	Als "Oscillate" wordt weergegeven wanneer u op de knop "Fan Direction" op de draadloze afstandsbediening drukt, is de instelling voor ventilatoroscillatie beschikbaar (OFF) (UIT). (Als er geen Fan Direction-knop is, is de instelling (OFF) (UIT).)	Heeft een instelling voor ventilatoroscillatie	Heeft geen instelling voor ventilatoroscillatie
No. 7	Beschikbaarheid van een instelling voor ventilatorrichting	Als de draadloze afstandsbediening een "Fan Direction"-knop heeft, is de instelling voor de ventilatorrichting beschikbaar (OFF) (UIT).	Heeft een instelling voor ventilatorrichting	Heeft geen instelling voor ventilatorrichting
No. 8	Beschikbaarheid van een verwarmingsstand	Als "Heat" verschijnt wanneer u op de "Mode"-knop van de draadloze afstandsbediening drukt, is de unit een model dat zowel koeling als verwarming biedt (OFF) (UIT).	Model dat kan koelen en verwarmen	Koelunit zonder verwarmingsfunctie

### ■ SW510, SW501 - Adresinstellingen

Definieert de adresinstellingen voor gecentraliseerd beheer (geldige adresinstellingen: 01–50).

#### Zelfadres

Positie 10s

Positie 1s

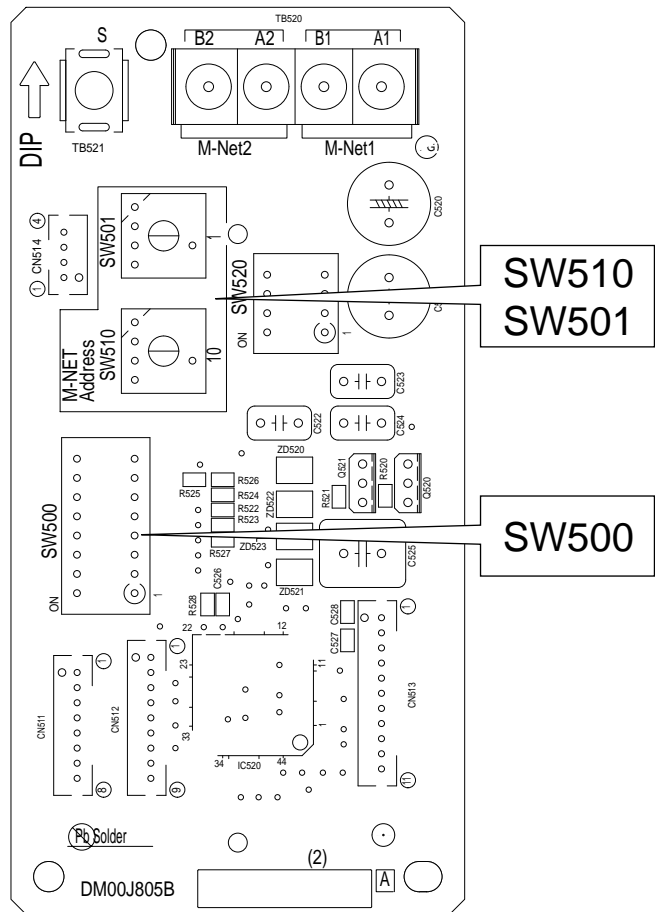
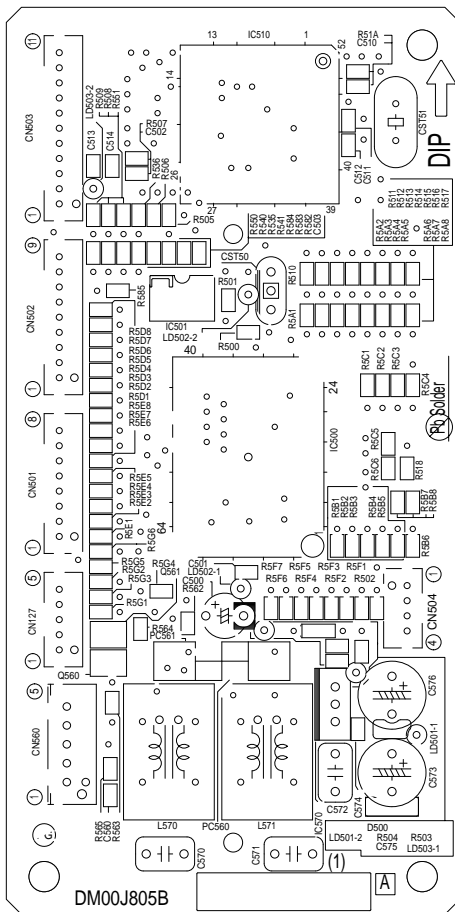


SW510

SW501

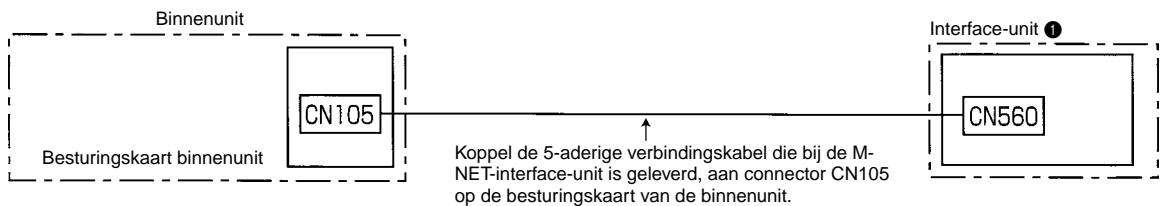
Met SW510 wordt de positie 10s en met SW501 wordt de positie 1s van het adres ingesteld. Als u een unit bijvoorbeeld op het adres 25 wilt instellen, zet u SW510 op 2 en SW501 op 5.

## ■ Positie van SW500, SW501, SW510

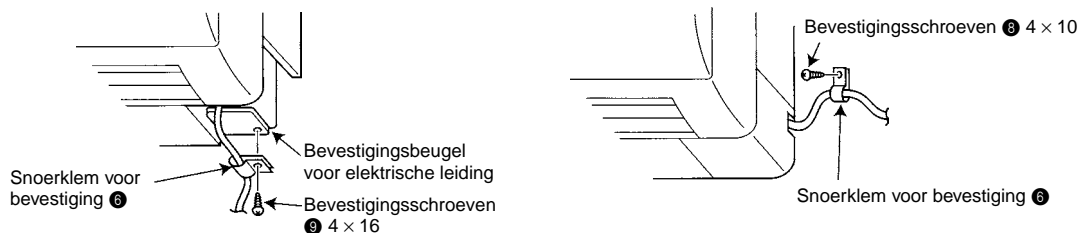


## 5. De M-NET-interface op een binnenuit aansluiten

Sluit de kaart van de M-NET-interface aan op de besturingskaart van de binnenuit.



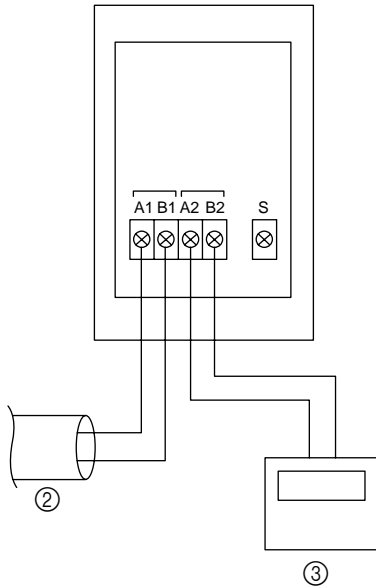
- 5-aderige verbindingkabels die op de binnenuit worden aangesloten, moeten op of bij de binnenuit worden bevestigd. Als de 5-aderige verbindingkabel niet stevig wordt bevestigd, kan de connector losraken, afbreken of defect raken.



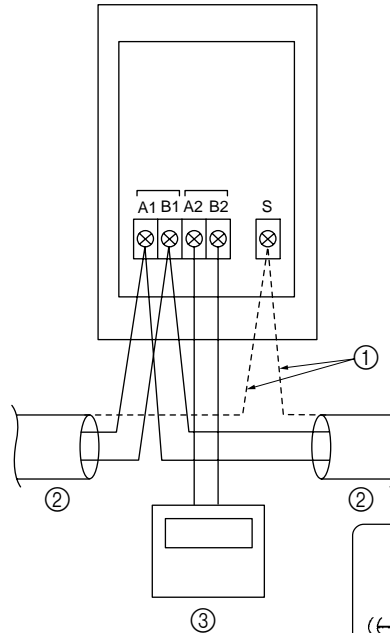
## 6. De M-NET-interface, de voedingseenheid en de ME-afstandsbediening aansluiten

- Wanneer u de unit op een systeemafstandsbediening of ME-afstandsbediening aansluit, dient u de transmissieleiding van de M-NET aan het stuursignaalcontact te koppelen. Verbind de 2-aderige verbindingsleidingen **A** met A1/B1 of A2/B2 (ze kunnen op beide worden aangesloten).
- Gebruik het S-contact alleen om het afgeschermde deel van elke verbindingsdraad te kruisen wanneer u de verbindingsdraden kruiselings aansluit.
- Wanneer u de verbindingsleidingen **A** en de verbindingsleidingen van de ME-afstandsbediening **B** aan het aansluitpaneel bevestigt, hoeft u niet op polariteit te letten.

Als de draden van de verbindingsleidingen **A** niet kruiselings zijn aangesloten

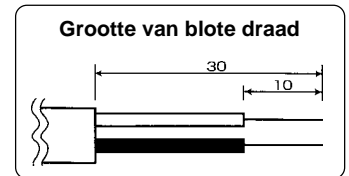


Als de draden van de verbindingsleidingen **A** kruiselings zijn aangesloten

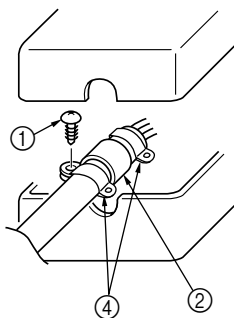


- ① Afscherming
- ② Verbindingsleidingen **A** (M-NET-transmissiedraad)
- ③ ME-afstandsbediening (alleen wanneer nodig)

- Zet de draden stevig vast met de snoerklem (groot) en de kabelbeugels nadat u de bedrading heeft voltooid.

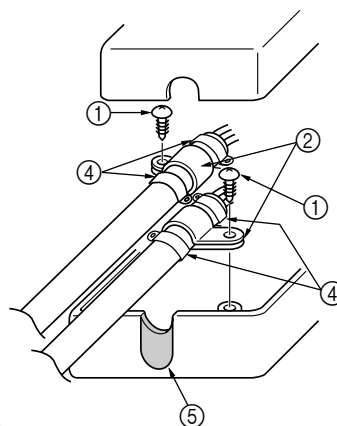


Als de draden van de verbindingsleidingen **A** niet kruiselings zijn aangesloten



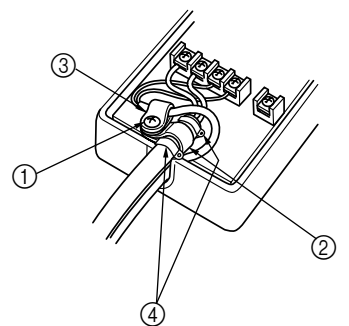
- ① Schroeven
- ② Snoerklem (groot)
- ③ Snoerklem (klein)

Als de draden van de verbindingsleidingen **A** kruiselings zijn aangesloten



- ④ Kabelbeugels
- ⑤ Knip de inkepingen met een tang in. Zorg dat het snijoppervlak geen oneffen randen heeft. Hierdoor kan de verbindingsdraad beschadigd raken.

Als de ME-afstandsbediening gebruikt wordt



### ⚠ Voorzichtig

- Elektrische werkzaamheden dienen te worden uitgevoerd overeenkomstig de relevante technische normen voor elektrische apparatuur en de normen voor binnenbedrading.
- Verbindingsbedrading en de bedrading van de afstandsbediening moeten zich zo ver mogelijk uit de buurt van andere elektrische bedrading bevinden. Als u ze te dicht bij elkaar plaatst, kan een storing optreden.

## 7. Opmerkingen over gebruik

Lees deze informatie zorgvuldig door voordat u probeert het apparaat te proefdraaien.

De volgende bedieningsinformatie dient in detail te worden uitgelegd en aan de gebruikers van dit apparaat te worden gegeven. (Geef deze instructies na voltooiing van de installatie aan de gebruiker.)

\* Deze M-NET-interface bedient de M-, P- en S-serie door middel van de regelaars van een packaged (vrijstaande) airconditioner (city-multi), maar er zijn enkele beperkingen vanwege de functionele verschillen tussen de M-, P- en S-serie en vrijstaande airconditioners.

1. Wanneer u het systeem gebruikt met een systeem- of ME-afstandsbediening, worden deze activiteiten niet weergegeven op het display van de draadloze afstandsbediening.
2. Functies die alleen op de M-serie beschikbaar zijn (b.v. ECONO COOL) kunnen niet bediend worden met de systeem-/ME-afstandsbediening. Wanneer u deze functies bedient met de draadloze afstandsbediening die bij de M-serie is geleverd, dan verschijnt de activiteit niet op het display van de systeem-/ME-afstandsbediening.
3. Functies die wel beschikbaar zijn op de systeem-/ME-afstandsbediening maar niet op de M-/ P-/ S-serie, kunnen worden gebruikt door om te schakelen naar een vooraf bepaalde afzonderlijke bedrijfsstand. (Zie de "RAC-functies die via de systeem-/ME-afstandsbediening worden geactiveerd".)
4. Functies die wel beschikbaar zijn op de afstandsbediening van de M-/ P-/ S-serie maar niet op de systeem-/ME-afstandsbediening, produceren een vooraf bepaalde displayweergave. In dat geval kan de feitelijke werking afwijken van het display. (Als de ventilatorsnelheid automatisch wordt ingesteld via de afstandsbediening die bij de M-/ P-/ S-serie is geleverd, verschijnt de instelling "High" op de systeem-/ME-afstandsbediening. Is de ventilatorrichting op automatisch ingesteld, dan verschijnt de instelling "Downward Air Flow 80%" op de systeem-/ME-afstandsbediening.)
5. Als de M-/ S-serie ingesteld wordt op een temperatuur onder 17 °C of boven 30 °C, verschijnt op het display van de systeem-/ME-afstandsbediening de laagste of hoogste temperatuur die ingesteld kan worden. Het temperatuurbereik van de M-/ S-serie is namelijk groter dan dat van de systeem-/ME-afstandsbediening. (Zelfs als de kamerairconditioner bijvoorbeeld ingesteld is op koeling tot 16 °C, wordt op het display van de systeem-/ME-afstandsbediening mogelijk "17 °C" aangegeven.)  
De M-/S-serie werkt overeenkomstig de kamertemperatuur die de M-/S- unit detecteert.
6. Timerfuncties moeten ingesteld worden met alleen de afstandsbediening die bij de M-/ P-/ S-serie is geleverd of alleen de systeem-/ME-afstandsbediening. Als de timer met beide op dezelfde tijd wordt ingesteld, dan zal de timer niet correct werken.
7. Wanneer de timer wordt ingesteld met de afstandsbediening die bij de M-/ P-/ S-serie is geleverd, dan wordt de timerinformatie niet weergegeven op de systeem-/ME-afstandsbediening.
8. Wanneer de timer wordt ingesteld met de systeem-/ME-afstandsbediening, dan wordt de met dat apparaat ingestelde tijd niet geannuleerd, zelfs niet als de unit wordt uitgezet met de afstandsbediening die bij de M-/ P-/ S-serie is geleverd.
9. Wanneer handmatige bewerkingen met de systeemafstandsbediening niet zijn toegestaan, dan zal de afstandsbediening die bij de M-/ P-/ S-serie is geleverd niet werken. De pieptoon die de normale werking aangeeft is in dat geval echter nog wel te horen.
10. Om een foutbericht van het display van de systeem-/ME-afstandsbediening te wissen, schakelt u de unit korte tijd uit met de systeem-/ME-afstandsbediening of met de afstandsbediening die bij de M-/ P-/ S-serie is geleverd. (De foutweergave op de airconditionerunit wordt mogelijk automatisch gewist, maar op de systeem-/ME-afstandsbediening gebeurt dit pas wanneer de unit wordt uitgezet.)
11. De kamertemperatuursensor in de ME-afstandsbediening kan niet worden gebruikt.



## 8. Functies die via de systeem-/ME-afstandsbediening worden geactiveerd

Functies bediend via de draadloze afstandsbediening die bij de M-/ P-/ S-serie is geleverd.

[Symbol] ○: Beschikbaar/ △: Beschikbaar met beperkingen op het display/ ×: Niet beschikbaar/ -: Niet van toepassing (geen functies)

Functies *1		ME-afstandsbediening	G-50A	BACnet/F	LM-AP
Aan/uit	Voeding aan (in werking)	○	○	○	○
	Voeding unit (stop)	○	○	○	○
Modus	Automatisch (in werking)	○	○	○	○
	Handmatig koelen (koelen)	○	○	○	○
	Handmatig verwarmen (verwarmen)	○	○	○	○
	Handmatig drogen (drogen)	○	○	○	○
	Luchtreiniging (ventilator)	○	○	○	○
Ventilator-snelheid (MSZ, S, P)	Laag (eerste: laag)	○	○	○	○
	Middelm. (tweede: middelmatig2) Middelm. (derde: middelmatig2)	○	○	○	○
	Hoog (derde: middelmatig1) Hoog (vierde: hoog)	○	○	○	○
	Zeer hoog (vierde: hoog)	○	○	○	○
	AUTO	△ (hoog)	△ (hoog)	△ (hoog)	△ (hoog)
Ventilator-snelheid (MFZ)	Laag (eerste: laag)	○	○	○	○
	Middelm. (tweede: middelmatig) Middelm. (tweede: middelmatig1)	○	○	○	○
	Hoog (derde: middelmatig) Middelm. (tweede: middelmatig2)	○	○	○	○
	Zeer hoog (vierde: hoog)	○	○	○	○
	AUTO	△ (hoog)	△ (hoog)	△ (hoog)	△ (hoog)
Luchtstroom-richting	Positie 1 (horizontaal)	○	○	○	—
	Positie 2 (omlaag positie 2)	○	○	○	—
	Positie 3 (omlaag positie 3)	○	○	○	—
	Positie 4 (verticaal)	○	○	○	—
	Positie 5 (verticaal)	○	○	○	—
	Zwaaien	○	○	○	—
	AUTO	△ (omlaag positie 3)	△ (omlaag positie 3)	△ (omlaag positie 3)	—
Temperatuur-instelling	16°C–31°C	○	○	○	○
Weergave	Timer	×	×	×	×
	Inlaattemp. (10–38 °C) *2	△	△	○	○

\*1: Functies die niet beschikbaar zijn op de M-/ P-/ S-serie (MAC-399IF) kunnen niet worden uitgevoerd.  
Weergave op de M-NET vindt plaats tussen ( ).

\*2: Deze weergave verschijnt niet op de draadloze afstandsbediening.

## 9. Specificaties

Airconditioner	Ingangsspanning	12 V $\overline{\text{---}}$
	Energieverbruik	0,6 W
	Ingangsstroom	0,05 A
M-NET	Ingangsspanning	17–24 V $\overline{\text{---}}$

# Contenido

1. Instrucciones de seguridad .....	34
2. Antes de la instalación .....	35
3. Montaje de la interfaz M-NET .....	36
4. Ajuste de los conmutadores .....	37
5. Conexión de la interfaz M-NET a una unidad interior .....	38
6. Conexión de la interfaz M-NET, la fuente de alimentación y el controlador remoto ME .....	39
7. Notas sobre el uso .....	40
8. Tabla de funciones activadas desde un Controlador remoto ME/Controlador de sistema .....	41
9. Especificaciones .....	41

## 1. Instrucciones de seguridad

- Lea todas las Instrucciones de seguridad antes de manejar este aparato.
- Este manual contiene información de seguridad importante. Asegúrese de cumplir todas las instrucciones.
- Tras instalar la interfaz, entregue este Manual de instalación al usuario.  
Pida a los usuarios que guarden el Manual de instrucciones y la Garantía del acondicionador de aire de su sala en un lugar seguro.

### **Atención**

(Un manejo inadecuado puede tener consecuencias graves, incluyendo daños personales o la muerte).

■ **Los usuarios no están autorizados para instalar la interfaz.**

Una instalación inadecuada puede provocar un incendio, descarga eléctrica o daños/fugas de agua si la interfaz se cae. Consulte al distribuidor al que adquirió la unidad o a un instalador profesional.

■ **La interfaz debe instalarse de forma segura de acuerdo con las Instrucciones de instalación adjuntas.**

Una instalación inadecuada puede provocar un incendio, descarga eléctrica o daños/fugas de agua si la unidad de interfaz se cae.

■ **La unidad se debe montar en un lugar que pueda soportar su peso.**

Si se instala en un área que no pueda soportar su peso, la unidad de interfaz podría caerse y causar daños.

■ **Asegure la cubierta de los componentes eléctricos a la unidad de interfaz.**

Si la cubierta de los componentes eléctricos de la interfaz no está fijada herméticamente, podría penetrar polvo o agua y provocar un incendio o descarga eléctrica.

■ **Utilice para la instalación componentes Mitsubishi u otros componentes recomendados.**

Una instalación inadecuada puede provocar un incendio, descarga eléctrica o daños/fugas de agua si la unidad de interfaz se cae.

■ **Al realizar trabajos eléctricos, cumpla las Normas técnicas para equipo eléctrico y las Normas de cableado en interiores, siga las instrucciones del Manual de instrucciones y asegúrese de utilizar su propio circuito.**

Si la capacidad del circuito o de la instalación es inadecuada podría provocarse un incendio o descarga eléctrica.

## 2. Antes de la instalación

### 2.1. Utilización de la interfaz M-NET

#### ⚠ Cuidado

Si se utiliza un controlador remoto de sistema con un acondicionador de aire central (city-multi), no es posible registrar acondicionadores centrales y acondicionadores de sala en el mismo grupo. En tal caso, registre los acondicionadores centrales y de sala en grupos distintos.

#### ■ Funciones

Gestión centralizada e individual de la serie M/P/S con M-NET(\*).

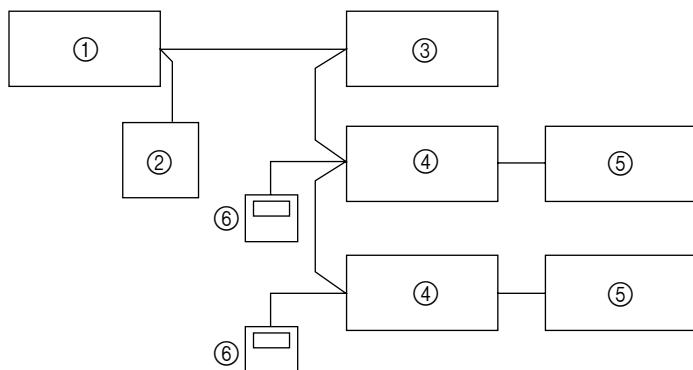
\* Un tipo de control de acondicionadores de aire centrales (city-multi)

#### ■ Productos relacionados de venta por separado

- Controlador remoto ME PAR-F27MEA
- Controlador centralizado G-50A
- Controlador remoto de sistema PAC-SF44SRA
- Controlador remoto de encendido y apagado PAC-YT40ANRA
- Temporizador de programación (M-NET) PAC-YT34STA
- Unidad de alimentación eléctrica PAC-SC50KUA

#### ■ Ejemplo de configuración del sistema (sólo para unidad interior de la serie M/S)

Ejemplo de configuración del sistema con un controlador centralizado



- ① Controlador centralizado (M-NET)
- ② Unidad de alimentación
- ③ Sistema de acondicionador de aire central
- ④ Interfaz M-NET
- ⑤ Unidad interior
- ⑥ Controlador remoto ME

\* El número máximo de unidades que se pueden conectar al controlador centralizado (G-50A) es de 50, incluyendo acondicionadores centrales y de sala. El cableado de la interfaz M-NET al controlador centralizado puede tener una longitud de hasta 500 m. El cableado de la interfaz M-NET al controlador remoto ME puede tener una longitud máxima de 10 m. Para más información, consulte el catálogo MELANS y los manuales de instrucciones del Controlador centralizado y del Controlador remoto ME.

### 2.2. Accesorios

Antes de instalar el dispositivo, asegúrese de que dispone de todas las piezas necesarias.

#### ■ Accesorios

①	Unidad de interfaz (con cable de conexión de 5 almas)	1
②	Soportes de montaje	1
③	Tornillos de montaje ③ 3,5 × 12	4
④	Material protector (con adhesivo)	1
⑤	Abrazadera de cable para el montaje (pequeña)	2
⑥	Abrazadera de cable para montaje (grande)	2
⑦	Tornillos de montaje ⑦ y ⑧ 3,5 × 12	2
⑧	Tornillo de montaje ⑤ y ⑥ 4 × 10 * Utilícelo al montar la abrazadera de cable a la serie M y alrededor de ella.	1
⑨	Tornillo de montaje ⑤ y ⑥ 4 × 16 * Utilícelo al montar la abrazadera de cable junto a las piezas de la serie M.	1
⑩	Pasacables	4
⑪	Sujetacables (para unir los cables conductores)	5
⑫	Abrazadera de cable para cableado	5
⑬	Tornillos de montaje ⑫ 3,5 × 12	5
⑭	Tornillos de montaje de la carcasa de la interfaz 3,5 × 12	2

#### ■ Elementos que se prepararán en el lugar de instalación

A	Cableado de conexión (controlador centralizado) Cableado de protección CVVS/CPEVS
B	Cableado de conexión (para conectar el controlador remoto ME) Cables del controlador remoto (cable de 2 hilos de 0,3 mm <sup>2</sup> )
C	Piezas relacionadas de venta por separado * Prepare la cantidad adecuada de piezas opcionales necesarias para su sistema.

\* CPEVS; cable de comunicaciones blindado, aislado con PE y revestido de PVC

\* CVVS; cable de control blindado, aislado y revestido con PVC  
PE: polietileno PVC: cloruro de polivinilo

### 3. Montaje de la interfaz M-NET

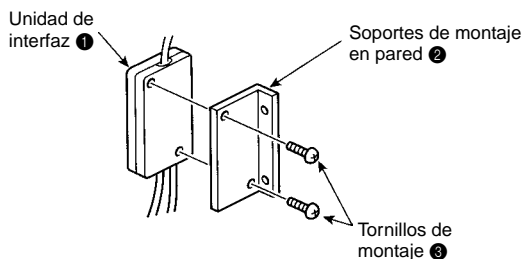
La unidad de interfaz M-NET debe colocarse en un lugar donde el cable de conexión de 5 hilos llegue desde la interfaz a una unidad interior.

No prolongue el cable de conexión de 5 hilos. Esto hará que el dispositivo no funcione correctamente.

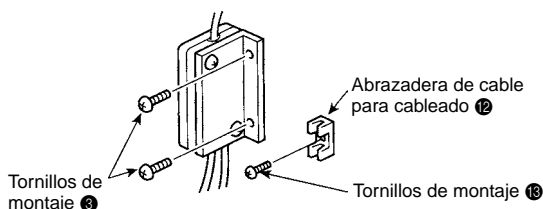
Asegure la unidad de interfaz a un pilar o pared utilizando 2 o más tornillos.

#### ■ Instalación con los soportes de montaje en pared ②

1 Fije los soportes de montaje ② a la unidad de interfaz ① utilizando 2 tornillos de montaje ③.

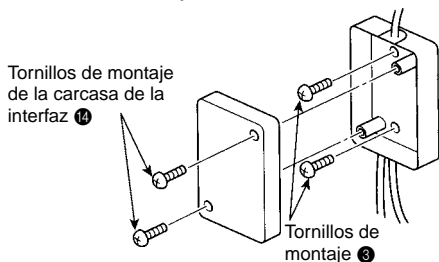


2 Monte la unidad en un pilar o en una pared con los 2 tornillos de montaje ③.

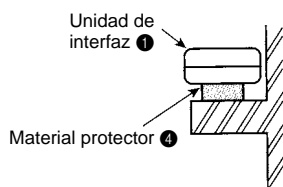


#### ■ Instalación directa en una pared

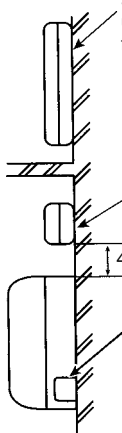
Monte la carcasa de la unidad de interfaz ① en la pared con los tornillos de montaje ③.



\* Si monta la unidad de interfaz ① con un material protector ④, asegúrese de hacerlo en un lugar de donde no se pueda caer.



Si va a montar la unidad de interfaz ① empotrada en un techo o pared, instale una puerta de acceso para facilitar el mantenimiento.



Si la unidad de interfaz ① se monta por encima de una unidad interior, debe situarse unos 40 mm o más por encima de la unidad para garantizar que las rejillas del techo se puedan quitar.

40 mm o más

Conecte el cable de conexión de 5 almas de la unidad de interfaz ① aquí. Deje cierta cantidad de cable sobrante en el espacio de paso de cables tras la unidad interior.

\* Si el cable de conexión de 5 hilos está muy flojo, utilice un tensor ⑪ para asegurarlo en su lugar.

## 4. Ajuste de los conmutadores

Si el sistema no se configura adecuadamente, la unidad no funcionará bien. Es posible que no pueda controlar las funciones de la unidad interior desde el controlador de sistema/controlador remoto ME o que las funciones no disponibles en la unidad interior aparezcan en la pantalla del controlador del sistema/controlador remoto ME. Por eso, antes de conectar la fuente de alimentación, debe asegurarse de que el sistema esté configurado correctamente.

### ■ SW500 No. 1, No. 2 - No utilizados

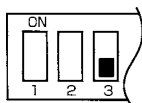
Deben ajustarse en la posición OFF (si se dejan en posición ON, el dispositivo no se comunicará correctamente con el controlador de sistema).

### ■ SW500 No. 3 - Ajustes de encendido/apagado

Este ajuste indica si la unidad interior se encenderá o se apagará cuando se suministre electricidad a la unidad interior o a la interfaz M-NET.

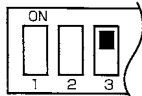
#### Encender al suministrarse alimentación No

[La unidad permanece apagada cuando comienza a recibir alimentación.]



#### Encender al suministrarse alimentación Sí

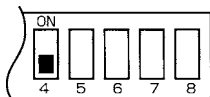
[La unidad se enciende cuando comienza a recibir alimentación.]



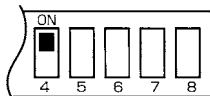
### ■ SW500 No. 4 – Disponibilidad del modo de purificador o de ventilador

Si el controlador remoto inalámbrico no presenta botón "Purificador" y la palabra "Ventilador" no aparece al pulsar el botón "Modo" significará que los modos de purificador y ventilador no están disponibles (ajustado a OFF).

#### No hay modo de purificador ni de ventilador.



#### Dispone de modo de purificador o ventilador.



### ■ SW500 No. 5–No. 8 - Prueba de funcionamiento de la serie M

SW500	Descripción de la función	Cómo comprobar el ajuste de la función	OFF	ON
No. 5	Modo de funcionamiento automático (un modo que permite que el acondicionador de aire elija entre refrigeración o calefacción).	Si al pulsar el botón "Modo" no aparece "Auto" en el controlador remoto inalámbrico, el modo de funcionamiento automático no estará disponible (OFF).	No presenta modo de funcionamiento automático	Presenta modo de funcionamiento automático
No. 6	Ajuste de oscilación del ventilador	Si al pulsar el botón "Dirección de ventilador" no aparece "Oscilación" en el controlador remoto inalámbrico, el ajuste de oscilación del ventilador no estará disponible (OFF). (Si no hay botón "Dirección de ventilador", el ajuste será OFF.)	Presenta un ajuste de oscilación	No presenta un ajuste de oscilación del ventilador
No. 7	Ajuste de dirección del ventilador	Si hay un botón "Dirección de ventilador" en el controlador remoto inalámbrico, este ajuste estará disponible (OFF).	Presenta un ajuste de dirección del ventilador	Presenta un ajuste de dirección del ventilador
No. 8	Modo de calefacción	Si al pulsar el botón "Modo" del controlador remoto inalámbrico aparece "Calefacción", la unidad será un modelo con refrigeración y calefacción (OFF).	Modelo dual de refrigeración y calefacción	Unidad exclusiva de refrigeración

### ■ SW510, SW501 - Ajustes de dirección

Especifica los ajustes de dirección para la gestión centralizada (se pueden establecer ajustes de la dirección 01 a la 50).

#### Dirección automática

Posición 10 Posición 1



SW510

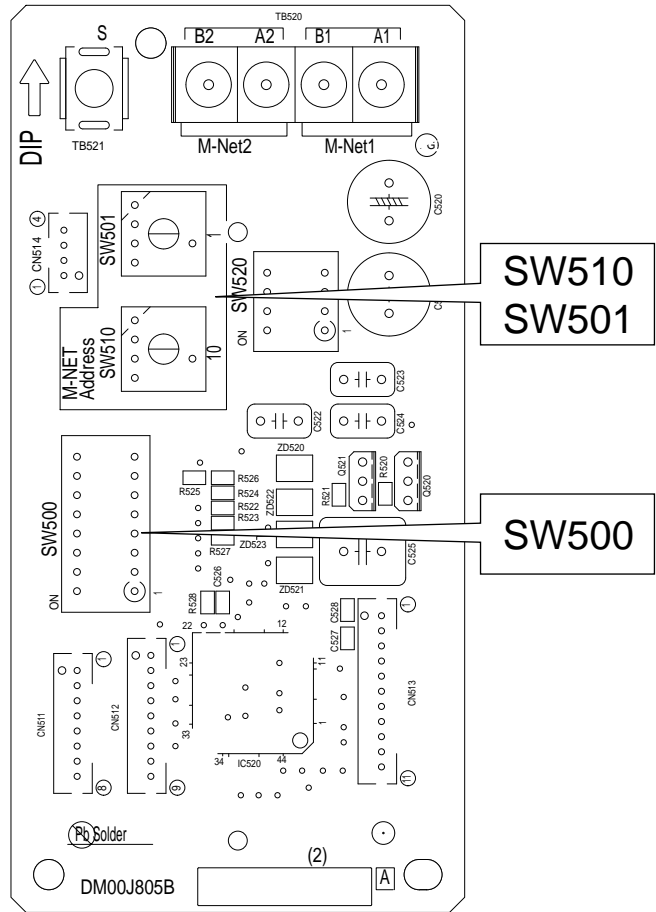
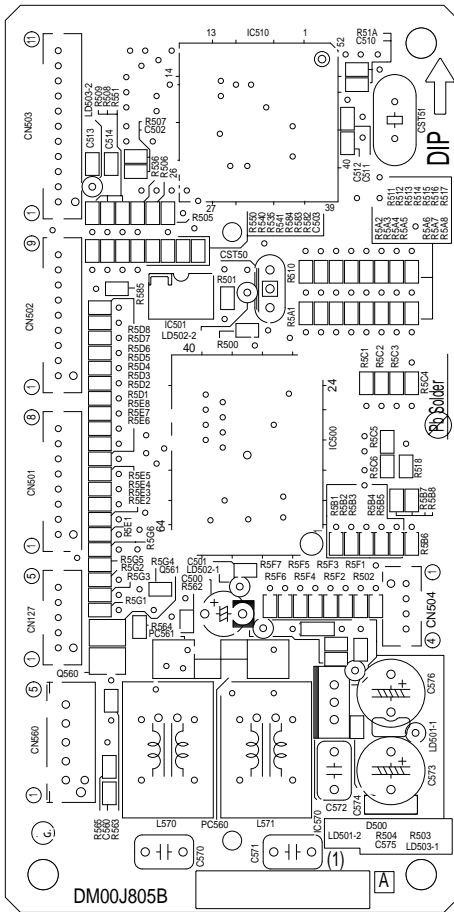


SW501

SW510 ajusta la posición 10 de la dirección y SW501 ajusta la posición 1 de la dirección.

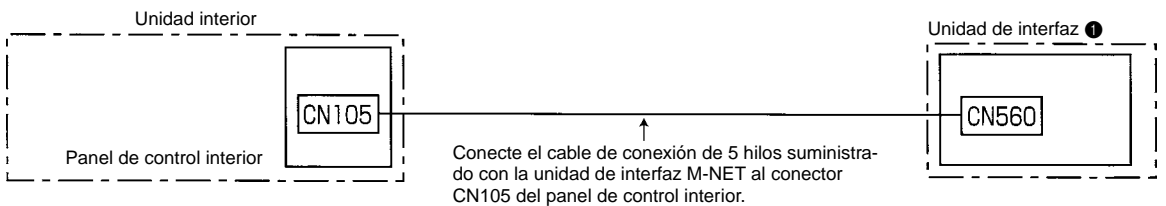
Por ejemplo, para asignar una unidad a la dirección "25", ajuste SW510 en la posición "2" y SW501 en la posición "5".

## ■ Posición de SW500, SW501, SW510

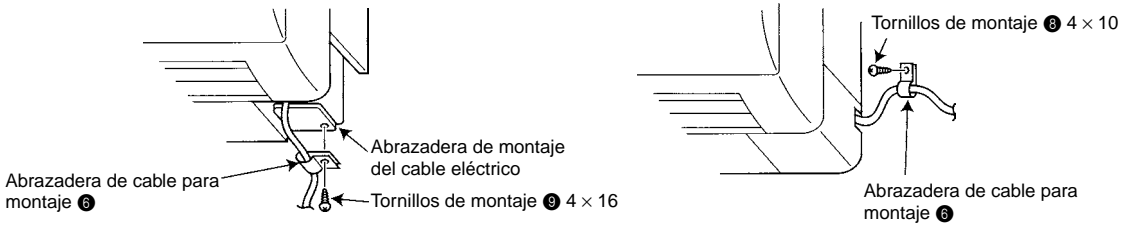


## 5. Conexión de la interfaz M-NET a una unidad interior

Conecte la placa de interfaz M-NET al panel de control de la unidad interior.



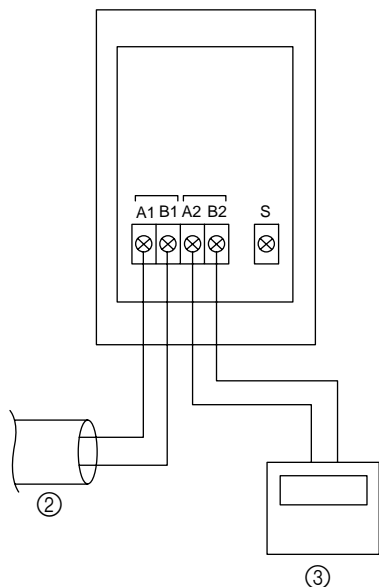
- Los cables de conexión de 5 hilos conectados a la unidad interior deben montarse en la unidad interior o cerca de ella. Si el cable de conexión de 5 hilos no se monta de forma segura, el conector podría salirse, romperse o funcionar incorrectamente.



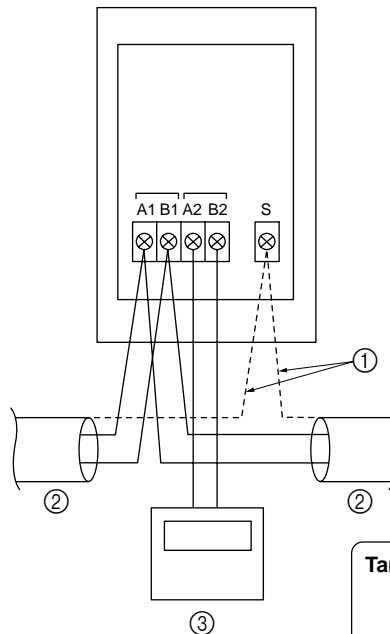
## 6. Conexión de la interfaz M-NET, la fuente de alimentación y el controlador remoto ME

- Al conectar la unidad a un Controlador de sistema o Controlador remoto ME, conecte la línea de transmisión de M-NET al terminal de la señal de control. Conecte los cables de conexión de 2 hilos **A** a A1/B1 o a A2/B2 (se pueden conectar a cualquier de ellos).
- Cruce la parte blindada de cada cable de conexión utilizando el terminal S sólo cuando cruce el cableado de los cables de conexión.
- Al conectar los cables de conexión **A** y los cables de conexión del Controlador remoto ME **B** al panel de tablero de terminales no es necesario tener en cuenta la polaridad.

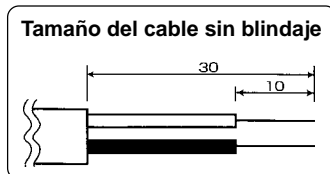
Cuando los cables de conexión **A** no están cruzados



Cuando los cables de conexión **A** están cruzados

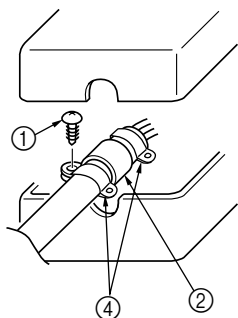


- ① Blindaje
- ② Cables de conexión **A** (cable de transmisión M-NET)
- ③ Controlador remoto ME (sólo en caso necesario)

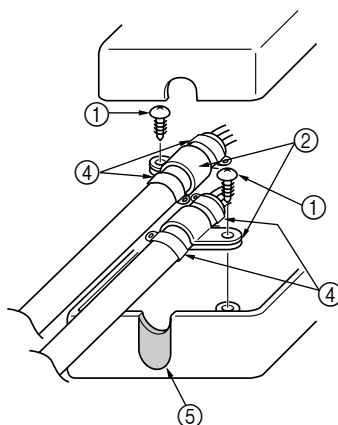


- Una vez finalizadas las tareas de cableado, asegure los cables con una abrazadera (grande) y los pasacables.

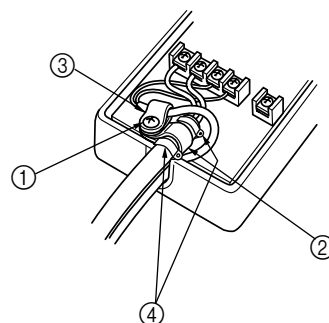
Cuando los cables de conexión **A** no están cruzados



Cuando los cables de conexión **A** están cruzados



Cuando se utiliza el controlador remoto ME



- ① Tornillos
- ② Abrazadera de cable (grande)
- ③ Abrazadera de cable (pequeña)

- ④ Pasacables
- ⑤ Corte con unos alicates por las muescas. Asegúrese de que la superficie de corte queda libre de rebabas para evitar que el cable de conexión sufra daños.

### ⚠ Cuidado

- Los trabajos eléctricos deben ser realizados de acuerdo con las Normas técnicas para equipos eléctrico y las Normas de cableado en interiores.
- El cableado de conexión y el cableado del controlador remoto se deben tender lo más lejos posible del resto de cables eléctricos. Si los tiene demasiado cerca podrían dejar de funcionar correctamente.

## 7. Notas sobre el uso

Lea esta información atentamente antes de llevar a cabo una prueba de funcionamiento.

La siguiente información de control debe explicarse detalladamente y proporcionarse a los usuarios del dispositivo. (Proporcione estas instrucciones al usuario una vez finalizada la instalación.)

\* Esta interfaz M-NET controla las unidades de la serie M/P/S utilizando los controles de un acondicionador de aire central (city-multi), pero hay una serie de limitaciones impuestas por las diferencias funcionales entre las unidades de la serie M/P/S y los acondicionadores centrales.

1. Al manejar el sistema con un controlador de sistema o un Controlador remoto ME, estas operaciones no aparecerán en la pantalla del controlador remoto inalámbrico.
2. Las funciones disponibles únicamente en la serie M (p. ej. desconexión automática ECONO COOL) no pueden manejarse con el Controlador remoto ME/Controlador de sistema. Cuando estas funciones se manejan utilizando el controlador remoto inalámbrico suministrado con la serie M, el funcionamiento no aparecerá en la pantalla del Controlador remoto ME/Controlador de sistema.
3. Las funciones disponibles en el Controlador remoto ME/Controlador de sistema pero no disponibles en la serie M/P/S se pueden manejar activando un modo de funcionamiento predeterminado independiente. (Consulte la "Tabla de funciones activadas desde un Controlador remoto ME/Controlador de sistema").
4. Las funciones disponibles en el controlador remoto de la serie M/P/S pero no disponibles en el Controlador remoto ME/Controlador de sistema harán que aparezca una pantalla determinada. En este caso, el funcionamiento real y la pantalla pueden ser distintos. (Si la velocidad del ventilador se ajusta automáticamente con el controlador remoto suministrado con la serie M/P/S, en el Controlador remoto ME/Controlador de sistema aparecerá el ajuste "Alto". Asimismo, si se ajusta la dirección automática para el ventilador, en el Controlador remoto ME/Controlador de sistema aparecerá "Flujo de aire hacia abajo 80%").
5. Como el rango de temperatura de la serie M/S es mayor que el del Controlador remoto ME/Controlador de sistema, cuando la serie M/S se ajuste a menos de 17 °C o más de 30 °C, la pantalla de temperatura en el Controlador remoto ME/Controlador de sistema mostrará la temperatura máxima o mínima que permita ajustar. (Por ejemplo, aun cuando el acondicionador de aire de la sala esté ajustado para refrigerar la sala a 16 °C, la pantalla del Controlador remoto ME/Controlador de sistema mostrará "17 °C").  
La serie M/S funciona de acuerdo con la temperatura de la sala detectada en la unidad de la serie M/S.
6. El funcionamiento del temporizador se debe ajustar utilizando únicamente el controlador remoto suministrado con la serie M/P/S o el Controlador remoto ME/Controlador de sistema. Si se utilizan ambos al mismo tiempo para ajustar el temporizador, éste no funcionará correctamente.
7. Si el temporizador se ajusta con el controlador remoto suministrado con la serie M/P/S, sus datos no aparecerán en el Controlador remoto ME/Controlador de sistema.
8. Si el temporizador se ajusta con el Controlador remoto ME/Controlador de sistema, sus ajustes no podrán cancelarse aunque la unidad se apague con el controlador remoto suministrado con la serie M/P/S.
9. Cuando las operaciones manuales con el controlador de sistema están prohibidas, el controlador remoto suministrado con la serie M/P/S no funcionará, aunque el pitido que se emite cuando funciona normalmente seguirá sonando.
10. Para borrar un mensaje de error de la pantalla del Controlador remoto ME/Controlador de sistema, apague brevemente la unidad con el Controlador remoto ME/Controlador de sistema o el controlador remoto suministrado con la serie M/P/S. (La pantalla de error de la unidad del acondicionador de aire se puede borrar automáticamente, pero no desaparecerá del Controlador remoto ME/Controlador de sistema hasta que la unidad se haya apagado).
11. No es posible utilizar el sensor de temperatura de la sala instalado en el Controlador remoto ME.



## 8. Tabla de funciones activadas desde un Controlador remoto ME/Controlador de sistema

Funciones activadas desde el controlador remoto inalámbrico suministrado con la serie M/P/S.

[Símbolo] ○: Disponible/△: Disponible con limitaciones en la pantalla/x: No disponible/—: No aplicable (sin funciones)

Funciones *1		Controlador remoto ME	G-50A	BACnet/F	LM-AP
On/Off	Encendido (funcionamiento)	○	○	○	○
	Apagado (parada)	○	○	○	○
Modo	Funcionamiento automático (funcionamiento)	○	○	○	○
	Refrigeración manual (refrigeración)	○	○	○	○
	Calefacción manual (calefacción)	○	○	○	○
	Deshumectación manual (deshumectación)	○	○	○	○
	Purificación del aire (ventilador)	○	○	○	○
Velocidad del ventilador (MSZ, S, P)	Baja (primera: baja)	○	○	○	○
	Media (segunda: media2) Media (tercera: media2)	○	○	○	○
	Alta (tercera: media1) Alta (cuarta: alta)	○	○	○	○
	Muy alta (cuarta: alta)	○	○	○	○
	AUTO	△ (alta)	△ (alta)	△ (alta)	△ (alta)
	Velocidad del ventilador (MFZ)	Baja (primera: baja)	○	○	○
Media (segunda: media) Media (segunda: media1)		○	○	○	○
Alta (tercera: media) Media (segunda: media2)		○	○	○	○
Muy alta (cuarta: alta)		○	○	○	○
AUTO		△ (alta)	△ (alta)	△ (alta)	△ (alta)
Dirección del aire	Posición1 (horizontal)	○	○	○	—
	Posición2 (flujo inferior, posición2)	○	○	○	—
	Posición3 (flujo inferior, posición3)	○	○	○	—
	Posición4 (vertical)	○	○	○	—
	Posición5 (vertical)	○	○	○	—
	Oscilación	○	○	○	—
	AUTO	△ (flujo inferior, posición3)	△ (flujo inferior, posición3)	△ (flujo inferior, posición3)	—
Temperatura seleccionada	16°C–31°C	○	○	○	○
Monitor	Visualización del temporizador	×	×	×	×
	Temp. entrada (10–38 °C) *2	△	△	○	○

\*1: Las funciones que no están disponibles en la serie M/P/S (MAC-399IF) no se pueden activar.  
La pantalla del lado M-NET aparece en ( ).

\*2: La pantalla no aparece en el controlador remoto inalámbrico.

## 9. Especificaciones

Lado del acondicionador de aire	Tensión de entrada	12 V $\overline{\text{---}}$
	Consumo de corriente	0,6 W
	Corriente de entrada	0,05 A
Lado de la interfaz M-NET	Tensión de entrada	17–24 V $\overline{\text{---}}$

# Indice

1. Istruzioni di sicurezza .....	42
2. Prima dell'installazione .....	43
3. Fissaggio dell'unità Interfaccia M-NET .....	44
4. Impostazione degli interruttori .....	45
5. Collegamento dell'interfaccia M-NET all'unità interna .....	46
6. Collegamento di Interfaccia M-NET, alimentazione elettrica e controller remoto ME .....	47
7. Note sull'utilizzo .....	48
8. Tavola delle funzioni attivate dal controller remoto ME/controller di sistema .....	49
9. Specifiche .....	49

## 1. Istruzioni di sicurezza

- Leggere integralmente le Istruzioni di sicurezza prima di utilizzare questo dispositivo.
- Il presente manuale contiene importanti informazioni di sicurezza. Assicurarsi di osservare tutte le istruzioni.
- Dopo aver installato l'Interfaccia, fornire il presente Manuale di installazione all'utente.  
Comunicare agli utenti che devono conservare il Manuale di istruzioni e la Garanzia relativa al proprio climatizzatore da camera in un luogo sicuro.



### Avvertenza

(La manipolazione impropria può avere conseguenze gravi, comprese lesioni o morte.)

■ **Gli utenti non devono installare autonomamente l'Interfaccia.**

L'installazione inadeguata può causare incendi, shock da folgorazione o danni/perdite di acqua in caso di caduta dell'unità Interfaccia. Rivolgersi al rivenditore presso cui avete acquistato l'unità o ad un installatore esperto.

■ **Occorre installare l'Interfaccia in modo sicuro conformemente alle Istruzioni di installazione accluse.**

L'installazione inadeguata può causare incendi, shock da folgorazione o danni/perdite di acqua in caso di caduta dell'unità Interfaccia.

■ **Occorre fissare l'unità in un'ubicazione che possa sopportarne il peso.**

Se installata in una zona che non può supportare il dispositivo, l'Interfaccia può cadere provocando dei danni.

■ **Fissare saldamente il coperchio del componente elettrico all'unità Interfaccia.**

Se non si fissa saldamente il coperchio del componente elettrico dell'unità Interfaccia, possono verificarsi infiltrazioni di polvere o acqua, con conseguente incendio o shock da folgorazione.

■ **Per l'installazione è imperativo utilizzare componenti Mitsubishi o comunque i componenti indicati.**

L'installazione inadeguata può causare incendi, shock da folgorazione o danni/perdite di acqua in caso di caduta dell'unità Interfaccia.

■ **Quando si eseguono interventi elettrici, attenersi agli Standard tecnici relativi ai dispositivi elettrici e agli Standard per i cablaggi in interni, seguire le istruzioni fornite nel Manuale di istruzioni e assicurarsi di usare un circuito dedicato.**

L'inadeguata capacità del circuito o l'installazione inadeguata possono causare incendi o shock da folgorazione.

## 2. Prima dell'installazione

### 2.1. Modalità d'uso dell'Interfaccia M-NET

#### ⚠ Cautela

Se si utilizza un comando a distanza per sistemi di condizionatori d'aria monoblocco (city-multi), non è possibile registrare condizionatori monoblocco e condizionatori da camera nello stesso gruppo. In tal caso, registrare i condizionatori monoblocco e quelli da camera in gruppi separati.

#### ■ Funzioni

Gestione centralizzata e individuale delle serie M/P/S con M-NET(\*).

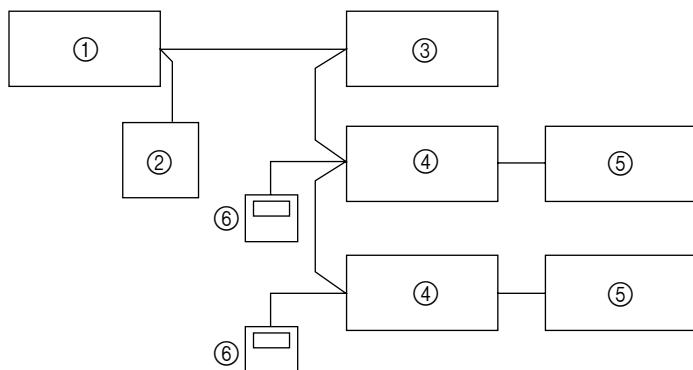
\* Un tipo di controllo per climatizzatori monoblocco (city-multi)

#### ■ Prodotti relativi venduti separatamente

- Controller remoto ME PAR-F27MEA
- Controller centralizzato G-50A
- Controller remoto di sistema climatizzatore monoblocco PAC-SF44SRA
- Controller remoto AVVIO/ARRESTO (ON/OFF) climatizzatore monoblocco PAC-YT40ANRA
- Timer di programmazione (M-NET) climatizzatore monoblocco PAC-YT34STA
- Unità di alimentazione elettrica climatizzatore monoblocco PAC-SC50KUA

#### ■ Esempio di configurazione del sistema (solo unità esterne della serie M/S)

Esempio di configurazione di un sistema con un controller centralizzato



- ① Controller centralizzato (M-NET)
- ② Unità di alimentazione elettrica
- ③ Sistema di climatizzazione monoblocco
- ④ Interfaccia M-NET
- ⑤ Unità interna
- ⑥ Controller remoto ME

\* Il numero massimo di unità che è possibile collegare al controller centralizzato (G-50A) è 50, includendo i condizionatori monoblocco e da camera. Il cablaggio tra l'interfaccia e il controller centralizzato può avere una lunghezza massima di 500 m. Il cablaggio tra l'interfaccia M-NET e il controller remoto ME può avere una lunghezza massima di 10 m. Per i dettagli, consultare il Catalogo MELANS e i manuali di istruzioni del controller centralizzato e del controller remoto ME.

### 2.2. Accessori

Prima di installare il dispositivo, assicurarsi di disporre di tutti i componenti necessari.

#### ■ Accessori

①	Unità interfaccia (con cavo di connessione a 5 nuclei)	1
②	Staffe di fissaggio	1
③	Viti per il fissaggio ② 3,5 × 12	4
④	Materiale isolante (con adesivo)	1
⑤	Morsetto del cavo per il fissaggio (piccolo)	2
⑥	Morsetto del cavo per il fissaggio (grande)	2
⑦	Viti di fissaggio ⑤ e ⑥ 3,5 × 12	2
⑧	Vite di fissaggio ⑤ e ⑥ 4 × 10 * Utilizzare questa vite per fissare il morsetto del cavo al climatizzatore della serie M ed attorno ad esso.	1
⑨	Vite di fissaggio ⑤ e ⑥ 4 × 16 * Utilizzare questa vite per fissare il morsetto del cavo ai componenti del climatizzatore della serie M.	1
⑩	Fascette per cavi	4
⑪	Dispositivi di fissaggio (per il collegamento delle derivazioni)	5
⑫	Morsetto per il cablaggio	5
⑬	Viti per il fissaggio ⑫ 3,5 × 12	5
⑭	Viti di fissaggio per la scatola dell'Interfaccia 3,5 × 12	2

#### ■ Articoli per la preparazione del sito di installazione

A	Cablaggio di collegamento (controller centralizzato) Cablaggio schermato CVVS/CPEVS
B	Cablaggio di collegamento (per il collegamento del controller remoto ME) Cablaggio controllo remoto (cavo a doppia guaina 0,3 mm <sup>2</sup> )
C	Componenti relativi venduti separatamente * Preparare il numero necessario di componenti venduti separatamente secondo le esigenze del sistema in questione.

\* CPEVS; cavo di comunicazione schermato, rivestito in PVC e isolato con PE

\* CVVS; cavo controllo schermato rivestito in PVC e isolato con PVC  
PE: polietilene. PVC: cloruro di polivinile

### 3. Fissaggio dell'unità Interfaccia M-NET

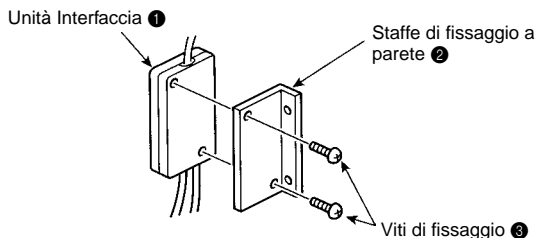
L'unità interfaccia M-NET deve essere collocata in un luogo in cui il cavo di collegamento a 5 fili dell'interfaccia possa raggiungere un'unità interna.

Non utilizzare prolunghe con il cavo di collegamento a 5 fili. Vi saranno altrimenti problemi di funzionamento.

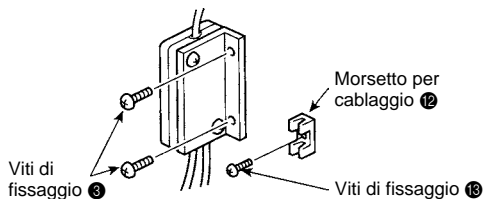
Fissare saldamente l'unità interfaccia ad un pilastro o ad una parete usando 2 o più viti.

#### ■ Se si utilizzano le staffe di fissaggio a parete ②

- 1 Fissare le staffe di fissaggio ② all'unità interfaccia ① utilizzando 2 viti di fissaggio ③.

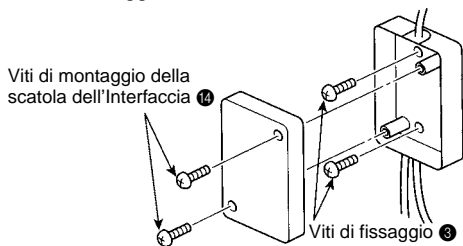


- 2 Fissare l'unità ad un pilastro o a parete usando 2 viti di fissaggio ③.

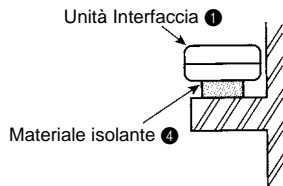


#### ■ Fissaggio diretto a parete

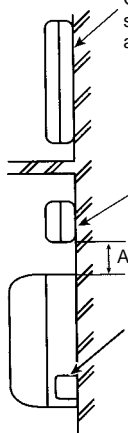
Fissare la scatola dell'unità Interfaccia ① alla parete usando le viti di fissaggio ③.



- \* Quando si fissa l'unità interfaccia ① utilizzando un materiale isolante ④, assicurarsi di fissarla in una ubicazione nella quale non può cadere.



Quando si monta l'unità interfaccia ① incassata nel soffitto o in una parete, installare uno sportello di accesso per agevolare la manutenzione.



Se si monta l'unità di interfaccia ① al di sopra di un'unità interna, occorre collocarla ad almeno 40 mm di distanza da tale unità per consentire la rimozione delle griglie del soffitto.

Almeno 40 mm.

Collegare qui il cavo di connessione a 5 nuclei dell'unità di interfaccia ①. Riporre il cavo di collegamento a 5 fili eccedente nello spazio della conduttura che si trova dietro l'unità interna.

- \* Se il cavo di collegamento a 5 fili dovesse essere allentato, utilizzare un dispositivo di fissaggio ⑪ per mantenerlo nella giusta posizione.

## 4. Impostazione degli interruttori

Se non si configura correttamente il sistema, l'unità non funzionerà debitamente. Potrebbe risultare impossibile comandare le funzioni dell'unità interna dal controller di sistema/controller remoto ME, oppure alcune funzioni non disponibili sull'unità interna potrebbero comparire sul display del controller di sistema/controller remoto ME. Occorre quindi assicurarsi che il sistema sia debitamente configurato prima di collegare l'alimentazione.

### ■ SW500 No. 1, No. 2 - Non utilizzati

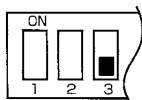
Questi devono essere impostati su OFF (se impostati su ON, il dispositivo non comunica correttamente con il controller di sistema).

### ■ SW500 No. 3 - Impostazioni alimentazione On/Off

Questa impostazione indica se si deve spegnere o accendere l'unità interna quando viene erogata l'alimentazione elettrica all'unità interna o all'interfaccia M-NET.

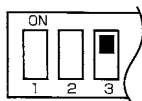
#### Accendere con alimentazione No

[L'unità rimane spenta quando viene erogata l'alimentazione].



#### Accendere con alimentazione Si

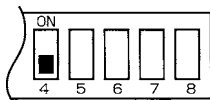
[L'unità si accende quando viene erogata l'alimentazione].



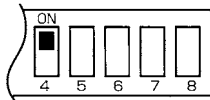
### ■ SW500 No. 4 – Disponibilità di un depuratore o della modalità ventilatore

Se sul telecomando non vi è un pulsante "Purifier" (Depuratore), e se non compare la parola "Fan" (Ventilatore) quando si preme il pulsante "Mode" (Modalità), le modalità depuratore e ventilatore non sono disponibili (impostare su OFF).

#### Non ha la modalità depuratore o ventilatore



#### Ha la modalità depuratore o ventilatore



### ■ SW500 No. 5–No. 8 - Verifica funzionale climatizzatori serie M

SW500	Descrizione delle funzioni	Come controllare una funzione	OFF	ON
No. 5	Disponibilità della modalità di funzionamento automatico (modalità che consente al climatizzatore di determinare se selezionare il raffreddamento o il riscaldamento).	Se alla pressione del pulsante "Mode" sul telecomando non si visualizza "Auto", la modalità di funzionamento automatico non è disponibile (OFF).	Non ha la modalità di funzionamento automatico	Ha la modalità di funzionamento automatico
No. 6	Disponibilità dell'impostazione di oscillazione del ventilatore	Se alla pressione del pulsante "Fan Direction" (orientamento del ventilatore) sul telecomando si visualizza "Oscillate", è disponibile l'impostazione di oscillazione del ventilatore (OFF). (Se non vi è alcun pulsante "Fan Direction", l'impostazione è OFF.)	Ha l'impostazione di oscillazione del ventilatore	Non ha l'impostazione di oscillazione del ventilatore
No. 7	Disponibilità dell'impostazione di orientamento del ventilatore	Se sul telecomando è presente un pulsante "Fan Direction", l'impostazione orientamento ventilatore è disponibile (OFF).	Ha l'impostazione di orientamento del ventilatore	Non ha l'impostazione di orientamento del ventilatore
No. 8	Disponibilità della modalità riscaldamento	Se alla pressione del pulsante "Mode" sul telecomando compare la parola "Heat" (riscaldamento), il modello dell'unità offre sia il raffreddamento sia il riscaldamento (OFF).	Modello con doppia modalità raffreddamento e riscaldamento	Unità a solo raffreddamento

### ■ SW510, SW501 - Impostazioni indirizzo

Specifica le impostazioni dell'indirizzo per la gestione centralizzata (possono essere determinate le impostazioni degli indirizzi da 1 a 50).

#### Indirizzo automatico

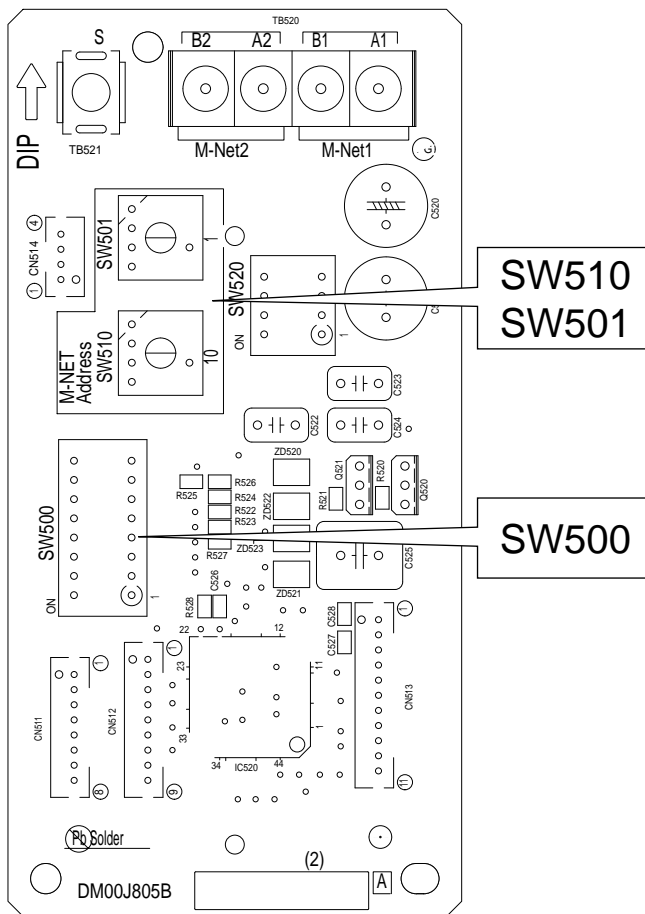
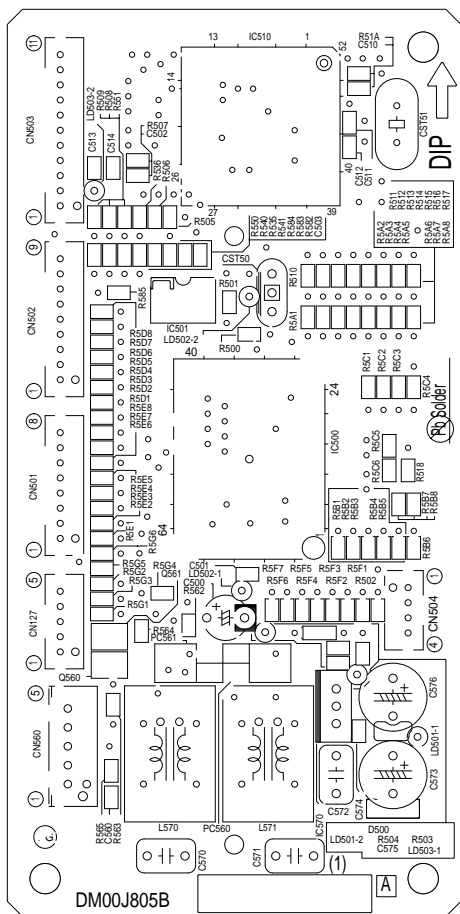
posizione decine    posizione unità



L'SW510 imposta la posizione delle decine dell'indirizzo, mentre l'SW501 imposta la posizione delle unità dell'indirizzo.

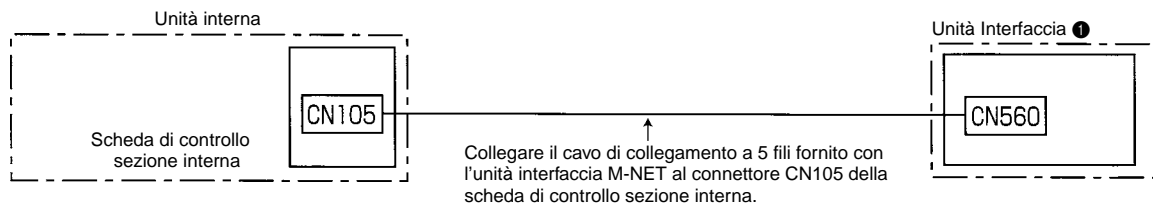
Ad esempio, per impostare un'unità sull'indirizzo 25, impostare l'SW510 su "2" e l'SW501 su "5".

## ■ Posizione di SW500, SW501, SW510

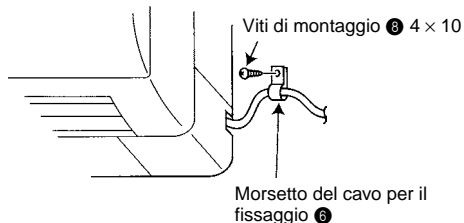
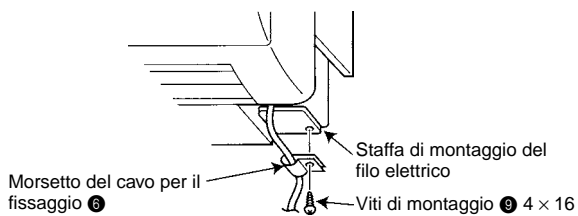


# 5. Collegamento dell'interfaccia M-NET all'unità interna

Collegare la scheda dell'interfaccia M-NET alla scheda di controllo dell'unità interna.



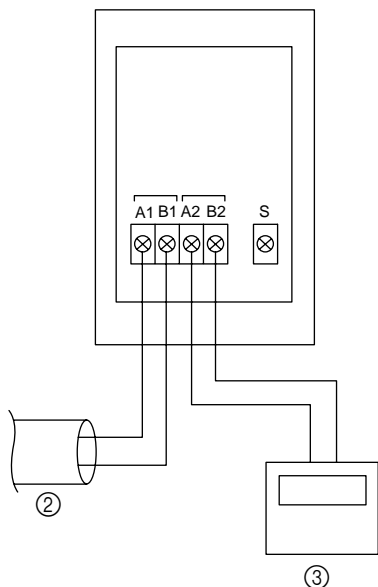
- I cavi di collegamento a 5 fili collegati all'unità interna devono essere montati sopra l'unità interna o accanto ad essa. Se il cavo di collegamento a 5 fili non è montato in modo saldo, il connettore può staccarsi, rompersi o dare problemi di funzionamento.



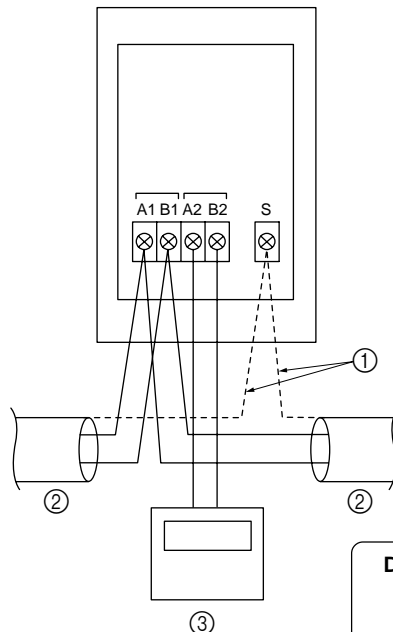
## 6. Collegamento di Interfaccia M-NET, alimentazione elettrica e controller remoto ME

- Quando si collega l'unità ad un controller di sistema o a un controller remoto ME, collegare la linea di trasmissione dell'M-NET al terminale del segnale di controllo.  
Collegare i cavi a doppia guaina **A** ad A1/B1 o ad A2/B2 (possono essere collegati all'uno o all'altro).
- Invertire la parte schermata di ciascun cavo di collegamento usando il terminale S esclusivamente quando si invertono i cavi di collegamento.
- Quando si collegano i cavi di collegamento **A** e i cavi di collegamento **B** del controller remoto ME alla morsetti, non è necessario tenere conto della polarità.

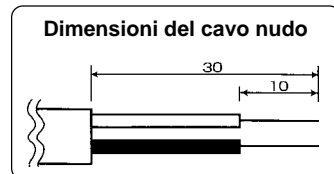
Quando i cavi di collegamento **A** non sono invertiti



Quando i cavi di collegamento **A** sono invertiti

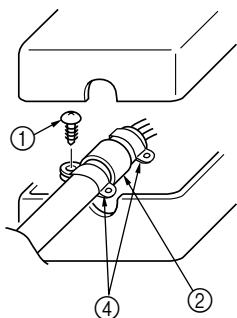


- ① Schermo
- ② Cavi di collegamento **A** (cavi di trasmissione M-NET)
- ③ Controller remoto ME (solo quando necessario)

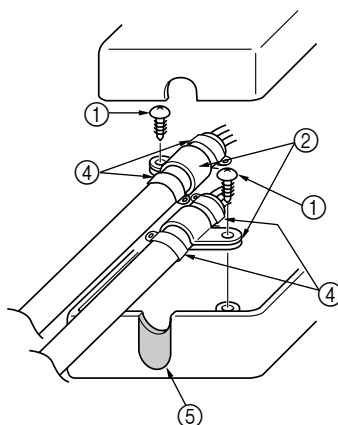


- Dopo aver completato il cablaggio, fissare i fili con il morsetto (grande) e le fascette.

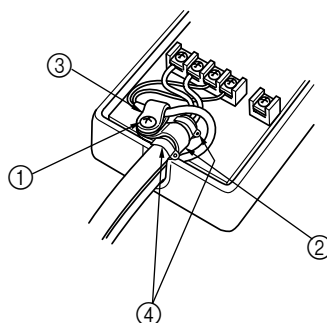
Quando i cavi di collegamento **A** non sono invertiti



Quando i cavi di collegamento **A** sono invertiti



Quando si utilizza il controller remoto ME



- ① Viti
- ② Morsetto del cavo (grande)
- ③ Morsetto del cavo (piccolo)
- ④ Fascette per cavi
- ⑤ Tagliare con le pinze sulle tacche.  
Assicurarsi che la superficie del taglio sia esente da bave in modo che il cavo di collegamento non venga danneggiato.

### ⚠ Cautela

- Occorre eseguire gli interventi elettrici secondo gli Standard tecnici relativi ai dispositivi elettrici e agli Standard per i cablaggi in interni.
- Posare il cablaggio di collegamento e del controllo remoto il più lontano possibile da qualsiasi altro cablaggio elettrico. Una collocazione troppo vicina può causare un malfunzionamento.

## 7. Note sull'utilizzo

Leggere attentamente le presenti informazioni prima di cercare di eseguire il test.

Le seguenti informazioni relative ai comandi devono essere spiegate in dettaglio e fornite agli utenti del presente dispositivo. (Si prega di fornire queste informazioni all'utente dopo aver completato l'installazione.)

- \* Questa interfaccia M-NET gestisce i climatizzatori delle serie M/P/S utilizzando i controlli di un climatizzatore monoblocco (city-multi), ma vi sono alcune restrizioni derivanti dalle differenze funzionali tra i climatizzatori delle serie M/P/S e quelli monoblocco.
  1. Quando si aziona il sistema utilizzando un controller di sistema o un controller remoto ME, queste operazioni non compaiono sul display del telecomando.
  2. Non è possibile utilizzare con il controller remoto ME/controller di sistema le funzioni disponibili solo sulla serie M (ad es. ECONO COOL, il refrigeramento economico). Quando queste funzioni sono azionate con il telecomando fornito con i modelli della serie M, sul display del controller remoto RE o del controller di sistema non apparirà nulla.
  3. Le funzioni disponibili sul controller remoto ME/controller di sistema ma non disponibili sui climatizzatori delle serie M/P/S possono essere gestite passando ad una predeterminata modalità di funzionamento separata. (Consultare la "Tavola delle funzioni attivate dal controller remoto ME/controller di sistema".)
  4. Le funzioni disponibili sul telecomando dei climatizzatori delle serie M/P/S ma non disponibili sul controller remoto ME/controller di sistema danno luogo ad un display predeterminato. In questo caso, il funzionamento effettivo e quello indicato sul display possono non corrispondere. (Se la velocità del ventilatore è impostata automaticamente usando il telecomando fornito con il climatizzatore della serie M/P/S, sul controller remoto ME/controller di sistema comparirà l'impostazione "High". Analogamente, se l'orientamento del ventilatore è impostato nella modalità automatica, sul controller remoto ME/controller di sistema sarà indicata l'impostazione "Downward Air Flow 80%" (flusso d'aria verso il basso 80%.)
  5. Dal momento che l'intervallo di temperatura dei climatizzatori delle serie M/S è più ampio di quello del controller remoto ME/controller di sistema, quando un climatizzatore di serie M/S viene impostato su una temperatura inferiore a 17 °C o superiore a 30 °C, sul display della temperatura del controller remoto ME/controller di sistema verrà visualizzata la temperatura minima o massima che può essere impostata. (Ad esempio, anche se il climatizzatore da camera è impostato per raffreddare una stanza a 16 °C, il display del controller remoto ME/controller di sistema può indicare "17 °C".)  
I climatizzatori della serie M/S funzionano secondo la temperatura della stanza da essi rilevata.
  6. Le operazioni del timer devono essere impostate utilizzando esclusivamente il telecomando fornito con il climatizzatore della serie M/P/S o il controller remoto ME/controller di sistema. Se si utilizzano entrambi per impostare il timer alla stessa ora, il timer non funzionerà correttamente.
  7. Quando si imposta il timer utilizzando il telecomando fornito con la serie M/P/S, i dati del timer non saranno visualizzati sul controller remoto ME/controller di sistema.
  8. Se si imposta il timer utilizzando il controller remoto ME/controller di sistema, l'impostazione non viene annullata se si spegne l'unità con il telecomando fornito con il climatizzatore della serie M/P/S.
  9. Quando non sono consentite le operazioni mediante il controller di sistema, il telecomando fornito con il climatizzatore della serie M/P/S non funziona, ma si udirà comunque il segnale acustico emesso in caso di funzionamento normale.
  10. Per eliminare dal display del controller remoto ME/controller di sistema un messaggio di errore, spegnere per qualche istante l'unità mediante il controller remoto ME/controller di sistema o con il telecomando fornito con il climatizzatore della serie M/P/S. (È possibile azzerare automaticamente il display di errore del climatizzatore, ma non dal controller remoto ME/controller di sistema finché non si spegne l'apparecchio.)
  11. Non è possibile utilizzare il sensore di temperatura ambiente incorporato nel controller remoto ME.



## 8. Tavola delle funzioni attivate dal controller remoto ME/controller di sistema

Funzioni comandate dal telecomando fornito con i climatizzatori delle serie M/P/S.

[Symbol] ○: Disponibile/△: Disponibile con restrizioni sul display/x: Non disponibile/-- : Non applicabile (nessuna funzione)

Funzioni *1		Controller remoto ME	G-50A	BACnet/F	LM-AP
On/Off	Accensione (Funzionamento)	○	○	○	○
	Spegnimento (Arresto)	○	○	○	○
Mode	Funzionamento automatico (Funzionamento)	○	○	○	○
	Raffreddamento manuale (Raffreddamento)	○	○	○	○
	Riscaldamento manuale (Riscaldamento)	○	○	○	○
	Deumidificazione manuale (Deumidificazione)	○	○	○	○
	Depurazione aria (Ventilatore)	○	○	○	○
Velocità del ventilatore (MSZ, S, P)	Bassa (Prima: Bassa)	○	○	○	○
	Med. (Seconda: Media2) Med. (Terza: Media2)	○	○	○	○
	Alta (Terza: Media1) Alta (Quarta: Alta)	○	○	○	○
	Molto alta (Quarta: Alta)	○	○	○	○
	AUTO	△ (Alta)	△ (Alta)	△ (Alta)	△ (Alta)
Velocità del ventilatore (MFZ)	Bassa (Prima: Bassa)	○	○	○	○
	Med. (Seconda: Media) Med. (Seconda: Media1)	○	○	○	○
	Alta (Terza: Media) Med. (Seconda: Media2)	○	○	○	○
	Molto alta (Quarta: Alta)	○	○	○	○
	AUTO	△ (Alta)	△ (Alta)	△ (Alta)	△ (Alta)
Orientamento dell'aria	Posizione1 (Orizzontale)	○	○	○	--
	Posizione2 (Flusso inferiore Posizione2)	○	○	○	--
	Posizione3 (Flusso inferiore Posizione3)	○	○	○	--
	Posizione4 (Verticale)	○	○	○	--
	Posizione5 (Verticale)	○	○	○	--
	Oscillazione	○	○	○	--
	AUTO	△ (Flusso inferiore Posizione3)	△ (Flusso inferiore Posizione3)	△ (Flusso inferiore Posizione3)	--
Temperatura impostata	16°C-31°C	○	○	○	○
Monitor	Display timer	x	x	x	x
	Temperatura ingr. (10-38°C) *2	△	△	○	○

\*1: Non è possibile eseguire funzioni che non sono disponibili sulla serie M/P/S (MAC-399IF).

Il display dal lato M-NET è indicato tra ( ).

\*2: Il display non appare sul telecomando.

## 9. Specifiche

Lato climatizzatore	Tensione in entrata	12 V $\overline{\text{---}}$
	Assorbimento	0,6 W
	Corrente in entrata	0,05 A
Lato M-NET	Tensione in entrata	17-24 V $\overline{\text{---}}$

## Περιεχόμενα

1. Οδηγίες Ασφάλειας .....	50
2. Πριν από την εγκατάσταση .....	51
3. Τοποθέτηση της μονάδας διαπαφής M-NET .....	52
4. Ρύθμιση των Διακοπών .....	53
5. Σύνδεση της Διαπαφής M-NET με μια εσωτερική μονάδα .....	54
6. Σύνδεση της Διαπαφής M-NET, της Τροφοδοσίας ενέργειας και του Τηλεχειριστηρίου ME .....	55
7. Σημειώσεις Σχετικά με τη Χρήση .....	56
8. Πίνακας Λειτουργιών που Ενεργοποιούνται από το Τηλεχειριστήριο ME/Χειριστήριο Συστήματος .....	57
9. Προδιαγραφές .....	57

## 1. Οδηγίες Ασφάλειας

- Διαβάστε όλες τις Οδηγίες Ασφάλειας πριν να χρησιμοποιήσετε αυτή τη συσκευή.
- Σε αυτό το εγχειρίδιο περιλαμβάνονται σημαντικές πληροφορίες για την ασφάλεια. Βεβαιωθείτε ότι τηρείτε όλες τις οδηγίες.
- Αφού εγκαταστήσετε τη Διαπαφή, θέστε το παρόν Εγχειρίδιο Εγκατάστασης στη διάθεση του χρήστη. Ζητήστε από τους χρήστες να φυλάσσουν το Εγχειρίδιο Οδηγιών και την Εγγύηση του κλιματιστικού σε ασφαλές σημείο.

### Προειδοποίηση

(Ο λανθασμένος χειρισμός μπορεί να έχει σοβαρές επιπτώσεις, συμπεριλαμβανομένης της σωματικής θλάβης ή του θανάτου).

■ **Οι χρήστες δεν πρέπει να εγκαθιστούν μόνοι τους τη Διαπαφή.**

Η λανθασμένη εγκατάσταση μπορεί να προκαλέσει φωτιά, ηλεκτροπληξία ή υλική ζημιά/διαρροές νερού, σε περίπτωση πτώσης της μονάδας της Διαπαφής. Συμβουλευτείτε τον αντιπρόσωπο από τον οποίο αγοράσατε τη συσκευή ή τον εξειδικευμένο τεχνικό εγκατάστασης.

■ **Η Διαπαφή πρέπει να εγκαθίσταται κατά τρόπον ώστε να είναι ασφαλής, σύμφωνα με τις εσωκλειόμενες Οδηγίες Εγκατάστασης.**

Η λανθασμένη εγκατάσταση μπορεί να προκαλέσει φωτιά, ηλεκτροπληξία ή υλική ζημιά/διαρροές νερού, σε περίπτωση πτώσης της μονάδας της Διαπαφής.

■ **Η μονάδα πρέπει να τοποθετείται σε θέση όπου το βάρος της είναι ανεκτό.**

Σε περίπτωση εγκατάστασης σε σημείο όπου το βάρος της μονάδας δεν είναι ανεκτό, η μονάδα Διαπαφής μπορεί να πέσει και να προκαλέσει υλική ζημιά.

■ **Τοποθετήστε, κατά τρόπον ώστε να είναι ασφαλές, το κάλυμμα του ηλεκτρικού εξαρτήματος στη μονάδα Διαπαφής.**

Εάν το κάλυμμα της μονάδας Διαπαφής του κεντρικού τηλεχειριστηρίου δεν τοποθετηθεί με ασφάλεια, μπορεί να εισχωρήσει σκόνη ή νερό, με αποτέλεσμα την πρόκληση φωτιάς ή ηλεκτροπληξίας.

■ **Για την εγκατάσταση πρέπει να χρησιμοποιηθούν τα εξαρτήματα Mitsubishi ή όποια άλλα υποδεικνυόμενα εξαρτήματα.**

Η λανθασμένη εγκατάσταση μπορεί να προκαλέσει φωτιά, ηλεκτροπληξία ή υλική ζημιά/διαρροές νερού, σε περίπτωση πτώσης της μονάδας της Διαπαφής.

■ **Κατά την εκτέλεση ηλεκτρολογικών εργασιών, τηρείτε τα τεχνικά πρότυπα που αφορούν τον ηλεκτρικό εξοπλισμό, τα πρότυπα εσωτερικών καλωδιώσεων, ακολουθήστε τις οδηγίες που παρέχονται στο Εγχειρίδιο Οδηγιών και βεβαιωθείτε ότι χρησιμοποιείτε ειδικό κύκλωμα.**

Η ανεπαρκής ικανότητα του κυκλώματος ή η λανθασμένη εγκατάσταση μπορεί να προκαλέσει φωτιά ή ηλεκτροπληξία.

## 2. Πριν από την εγκατάσταση

### 2.1. Πώς να χρησιμοποιείτε τη Διεπαφή M-NET

#### ⚠ Προσοχή

Όταν χρησιμοποιείτε τηλεχειριστήριο συστήματος κλιματιστικής μονάδας (city-multi), δεν είναι εφικτή η αντιστοίχιση συστημάτων κλιματιστικής μονάδας και κλιματιστικών δωματίου στην ίδια ομάδα. Σε αυτήν την περίπτωση, αντιστοιχίστε τα συστήματα κλιματιστικής μονάδας και τα κλιματιστικά δωματίου σε διαφορετικές ομάδες.

#### ■ Λειτουργίες

Κεντρική και μεμονωμένη διαχείριση της σειράς M/P/S χρησιμοποιώντας το M-NET(\*).

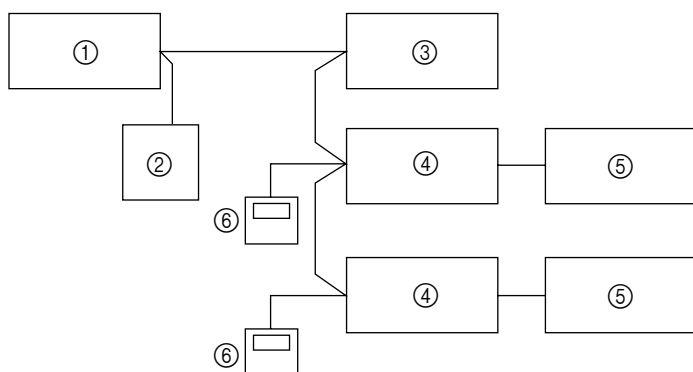
\* Ένας τύπος χειρισμού της κλιματιστικής μονάδας (city-multi)

#### ■ Σχετικά Προϊόντα Πωλούμενα Χωριστά

- Τηλεχειριστήριο ME PAR-F27MEA
- Κεντρικό Χειριστήριο G-50A
- Τηλεχειριστήριο Συστήματος PAC-SF44SRA
- Τηλεχειριστήριο ON/OFF PAC-YT40ANRA
- Χρονοδιακόπτης προγραμματισμού (M-NET) PAC-YT34STA
- Μονάδα παροχής ενέργειας PAC-SC50KUA

#### ■ Δοκιμαστική ρύθμιση παραμέτρων συστήματος (μόνο εξωτερική μονάδα της σειράς M/S)

Δοκιμαστική ρύθμιση παραμέτρων ενός συστήματος με τη χρήση κεντρικού τηλεχειριστηρίου



- ① Κεντρικό τηλεχειριστήριο (M-NET)
- ② Μονάδα παροχής ενέργειας
- ③ Σύστημα κλιματιστικής μονάδας
- ④ Διεπαφή M-NET
- ⑤ Εσωτερική μονάδα
- ⑥ Τηλεχειριστήριο ME

\* Ο αριθμός των μονάδων που μπορούν να συνδεθούν με το κεντρικό τηλεχειριστήριο (G-50A) είναι 50 κατά το μέγιστο, συμπεριλαμβανομένων των κλιματιστικών μονάδων και των κλιματιστικών δωματίου. Η καλωδίωση από τη Διεπαφή M-NET στο κεντρικό χειριστήριο μπορεί να έχει μέγιστο μήκος 500 m. Η καλωδίωση από τη Διεπαφή M-NET στο τηλεχειριστήριο ME μπορεί να έχει μέγιστο μήκος 10 m.

Για περισσότερες λεπτομέρειες, ανατρέξτε στον κατάλογο MELANS και στα εγχειρίδια οδηγίων για το Κεντρικό Χειριστήριο και το Τηλεχειριστήριο ME.

### 2.2. Παρεχόμενα εξαρτήματα

Πριν από την εγκατάσταση της συσκευής, βεβαιωθείτε ότι διαθέτετε όλα τα απαραίτητα εξαρτήματα.

#### ■ Παρεχόμενα Εξαρτήματα

①	Μονάδα διεπαφής (με καλώδιο σύνδεσης 5 κλώνων)	1
②	Αγκίστρα τοποθέτησης	1
③	Βίδες για την τοποθέτηση ② 3,5 × 12	4
④	Υλικό απόσβεσης (με κολλητικό υλικό)	1
⑤	Σφιγκτήρας καλωδίου για τοποθέτηση (μικρός)	2
⑥	Σφιγκτήρας καλωδίου για τοποθέτηση (μεγάλος)	2
⑦	Βίδες για τοποθέτηση ⑤ και ⑥ 3,5 × 12	2
⑧	Βίδα για τοποθέτηση ⑤ και ⑥ 4 × 10 * Χρησιμοποιήστε το όταν τοποθετείτε τον σφιγκτήρα καλωδίου στη συσκευή της σειράς M ή γύρω από αυτήν.	1
⑨	Βίδα για τοποθέτηση ⑤ και ⑥ 4 × 16 * Χρησιμοποιήστε το όταν τοποθετείτε τον σφιγκτήρα καλωδίου μαζί με τα εξαρτήματα της σειράς M.	1
⑩	Σύνδεσμοι καλωδίων	4
⑪	Σύνδεσμοι (για την ένωση των αγωγίων συρμάτων)	5
⑫	Σφιγκτήρας καλωδίου για καλωδίωση	5
⑬	Βίδες για την τοποθέτηση ⑫ 3,5 × 12	5
⑭	Θήκη διεπαφής βίδες τοποθέτησης 3,5 × 12	2

#### ■ Στοιχεία που πρέπει να Διαθέτετε στον Χώρο Εγκατάστασης

Ⓐ	Καλωδίωση σύνδεσης (κεντρικό τηλεχειριστήριο) Καλωδίωση προστασίας CVVS/CPEVS
Ⓑ	Καλώδιο σύνδεσης (για σύνδεση με το Τηλεχειριστήριο ME) Καλώδια τηλεχειριστηρίου (μονωμένο καλώδιο δύο κλώνων 0,3 mm <sup>2</sup> )
Ⓒ	Τα σχετικά εξαρτήματα πωλούνται ξεχωριστά * Προετοιμάστε τον απαραίτητο αριθμό εξαρτημάτων που πωλούνται ξεχωριστά όπως χρειάζεται για το σύστημά σας.

\* CPEVS; PE μονωμένο θωρακισμένο καλώδιο επικοινωνίας PVC

\* CVVS; PVC μονωμένο θωρακισμένο καλώδιο ελέγχου PVC  
PE: πολυαιθυλένιο PVC: Χλωριούχο πολυβινύλιο

### 3. Τοποθέτηση της μονάδας διεπαφής M-NET

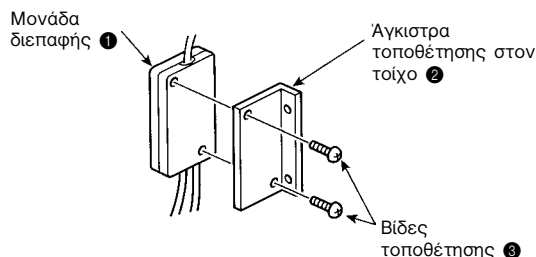
Η μονάδα διεπαφής M-NET πρέπει να τοποθετηθεί σε θέση που να επιτρέπει στο καλώδιο σύνδεσης 5 κλώνων από τη διεπαφή να μπορεί να φτάσει σε μια εσωτερική μονάδα.

Μην επεκτείνετε το καλώδιο σύνδεσης 5 κλώνων. Αυτό θα προκαλέσει δυσλειτουργία στη συσκευή.

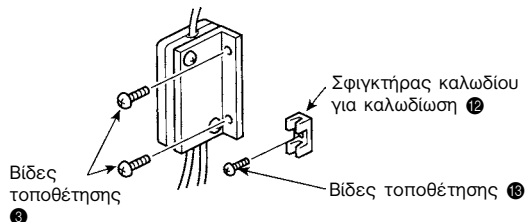
Τοποθετήστε τη μονάδα διεπαφής χωριστά πάνω σε μια κολώνα ή τοίχο χρησιμοποιώντας 2 ή περισσότερες βίδες.

#### ■ Όταν χρησιμοποιείτε τα άγκιστρα στερέωσης για τοποθέτηση πάνω σε τοίχο ②

**1** Συνδέστε τα άγκιστρα τοποθέτησης ② στη μονάδα διεπαφής ① χρησιμοποιώντας 2 βίδες τοποθέτησης ③.

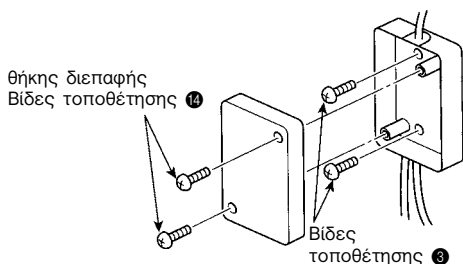


**2** Τοποθετήστε τη μονάδα πάνω σε μια κολώνα ή τοίχο χρησιμοποιώντας 2 βίδες τοποθέτησης ③.

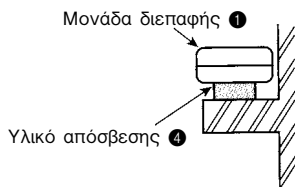


#### ■ Όταν η τοποθέτηση γίνεται απευθείας πάνω σε έναν τοίχο

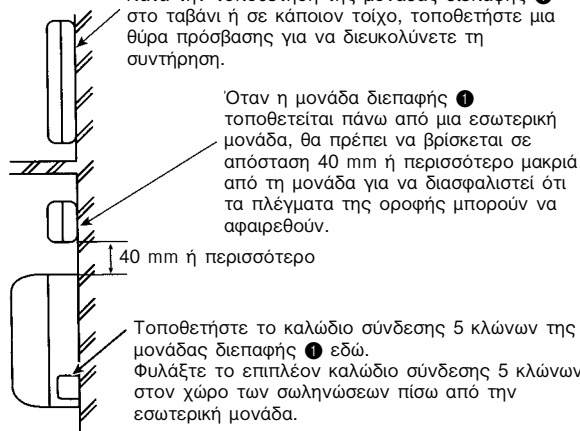
Τοποθετήστε τη θήκη της μονάδας διεπαφής ① στον τοίχο χρησιμοποιώντας τις βίδες τοποθέτησης ③.



\* Κατά την τοποθέτηση της μονάδας διεπαφής ① με τη χρήση υλικού απόσβεσης ④, θα πρέπει να βεβαιωθείτε ότι τη στερεώνετε σε σημείο από όπου δεν υπάρχει κίνδυνος να πέσει.



Κατά την τοποθέτηση της μονάδας διεπαφής ① στο ταβάνι ή σε κάποιον τοίχο, τοποθετήστε μια θύρα πρόσβασης για να διευκολύνετε τη συντήρηση.



\* Εάν το καλώδιο σύνδεσης 5 κλώνων είναι χαλαρό, χρησιμοποιήστε έναν σύνδεσμο ⑪ για να το κρατήσετε στη θέση του.

## 4. Ρύθμιση των Διακοπών

Εάν το σύστημα δεν είναι σωστά ρυθμισμένο, η μονάδα δεν θα λειτουργεί κανονικά. Μπορεί να μην είστε σε θέση να ελέγχετε τις λειτουργίες της εσωτερικής μονάδας από το Χειριστήριο του Συστήματος/Τηλεχειριστήριο ΜΕ ή οι λειτουργίες που δεν είναι διαθέσιμες στην εσωτερική μονάδα ενδέχεται να εμφανιστούν στην οθόνη του Χειριστηρίου Συστήματος / Τηλεχειριστηρίου ΜΕ. Θα πρέπει συνεπώς να διασφαλίσετε ότι το σύστημα είναι σωστά ρυθμισμένο πριν συνδέσετε την παροχή ενέργειας.

### ■ SW500 No. 1, No. 2 - Δεν χρησιμοποιείται

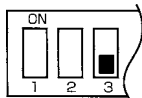
Η ρύθμιση θα πρέπει να γίνει στο OFF (εάν έχει γίνει στο ON, η συσκευή δεν θα επικοινωνεί κανονικά με το Χειριστήριο του Συστήματος).

### ■ SW500 No. 3 - Ρυθμίσεις ενεργοποίησης / απενεργοποίησης ενέργειας (On/Off)

Η ρύθμιση αυτή δηλώνει εάν η εσωτερική μονάδα πρέπει να είναι απενεργοποιημένη ή ενεργοποιημένη όταν παρέχεται ενέργεια στην εσωτερική μονάδα ή στη Διεπαφή M-NET.

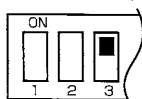
#### Ενεργοποιήστε με την τροφοδοσία ενέργειας να είναι ρυθμισμένη στο No (Όχι)

[Η μονάδα παραμένει απενεργοποιημένη όταν παρέχεται ενέργεια.]



#### Ενεργοποιήστε με την τροφοδοσία ενέργειας να είναι ρυθμισμένη στο Yes (Ναι)

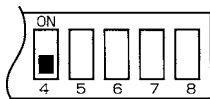
[Η μονάδα ενεργοποιείται όταν παρέχεται ενέργεια.]



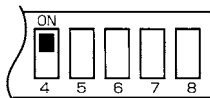
### ■ SW500 No. 4 - Διαθεσιμότητα της συσκευής καθαρισμού ή της λειτουργίας ανεμιστήρα

Εάν δεν υπάρχει κουμπί συσκευής καθαρισμού (Purifier) στο ασύρματο τηλεχειριστήριο, και αν η λέξη "Fan" (Ανεμιστήρας) δεν εμφανίζεται με το πάτημα του κουμπιού κατάστασης λειτουργίας (Mode), η συσκευή καθαρισμού και οι λειτουργίες ανεμιστήρα δεν είναι διαθέσιμα (είναι ρυθμισμένα στο OFF).

#### Δεν διαθέτει συσκευή καθαρισμού ή λειτουργία ανεμιστήρα



#### Διαθέτει συσκευή καθαρισμού ή λειτουργία ανεμιστήρα



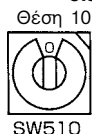
### ■ SW500 No. 5–No. 8 - Έλεγχος λειτουργίας σειράς M

SW500	Περιγραφή λειτουργίας	Πώς να ελέγξετε μια λειτουργία	OFF	ON
No. 5	Διαθεσιμότητα της αυτόματης κατάστασης λειτουργίας (μια λειτουργία που επιτρέπει στο κλιματιστικό να καθορίζει εάν θα επιλέξει την ψύξη ή τη θέρμανση).	Εάν στο ασύρματο τηλεχειριστήριο δεν εμφανίζεται η ένδειξη αυτόματης λειτουργίας (Auto) όταν πιέσετε το κουμπί κατάστασης λειτουργίας (Mode), η κατάσταση αυτόματης λειτουργίας δεν είναι διαθέσιμη (OFF).	Δεν διαθέτει αυτόματη λειτουργία	Διαθέτει αυτόματη λειτουργία
No. 6	Διαθεσιμότητα της ρύθμισης ταλάντωσης του ανεμιστήρα	Εάν στο ασύρματο τηλεχειριστήριο εμφανίζεται η ένδειξη ταλάντωσης (Oscillate) όταν πιέσετε το κουμπί κατεύθυνσης ανεμιστήρα (Fan Direction), η ρύθμιση ταλάντωσης ανεμιστήρα είναι διαθέσιμη (OFF). (Εάν δεν υπάρχει κουμπί κατεύθυνσης ανεμιστήρα (Fan Direction), η ρύθμιση είναι στο OFF.)	Έχει ρύθμιση ταλάντωσης ανεμιστήρα	Δεν διαθέτει ρύθμιση ταλάντωσης ανεμιστήρα
No. 7	Διαθεσιμότητα της ρύθμισης κατεύθυνσης του ανεμιστήρα	Εάν υπάρχει κουμπί κατεύθυνσης ανεμιστήρα (Fan Direction) στο ασύρματο τηλεχειριστήριο, η ρύθμιση κατεύθυνσης ανεμιστήρα είναι διαθέσιμη (OFF).	Έχει ρύθμιση κατεύθυνσης ανεμιστήρα	Δεν διαθέτει κατεύθυνση ανεμιστήρα
No. 8	Διαθεσιμότητα μιας κατάστασης λειτουργίας θέρμανσης	Εάν στο ασύρματο τηλεχειριστήριο εμφανίζεται η ένδειξη θέρμανσης (Heat) όταν πιέσετε το κουμπί κατάστασης λειτουργίας (Mode), η μονάδα είναι ένα μοντέλο που προσφέρει και τις δύο λειτουργίες: ψύξη και θέρμανση (OFF).	Μοντέλο διπλής λειτουργίας ψύξης και θέρμανσης	Μόνο μονάδα ψύξης

### ■ SW510, SW501 - Ρυθμίσεις διεύθυνσης

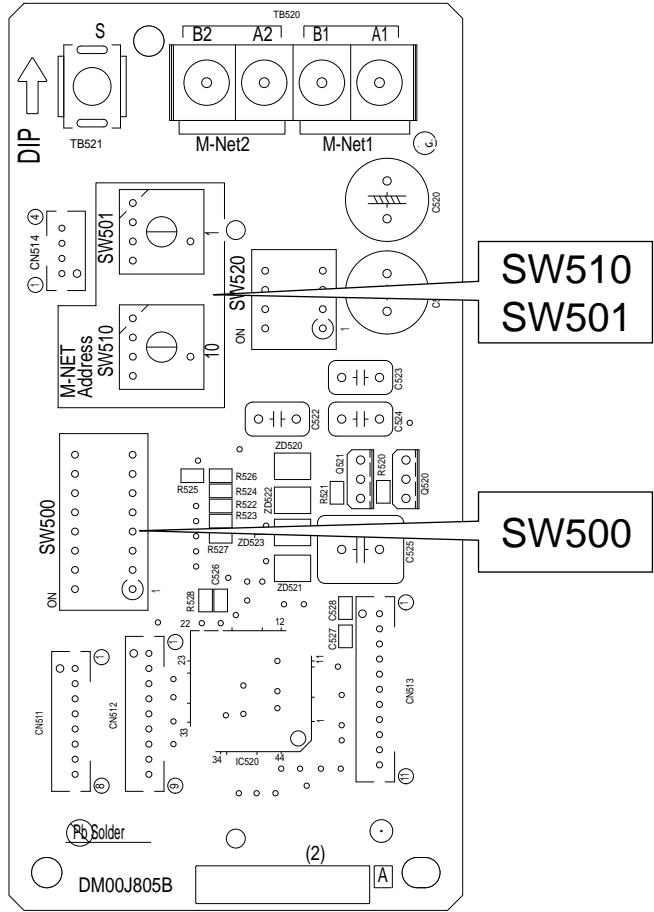
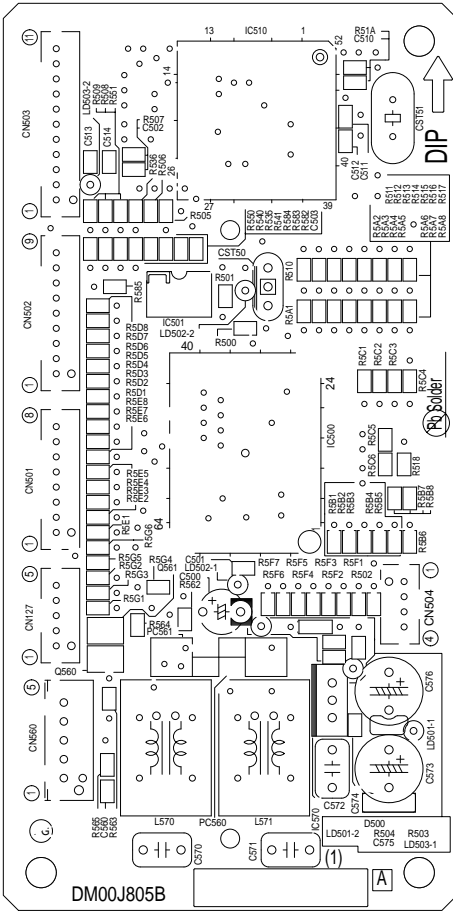
Καθορίζει τις ρυθμίσεις διευθύνσεων για κεντρική διαχείριση (οι ρυθμίσεις διεύθυνσης μπορούν να οριστούν από 01-50).

#### Αυτόματος προσδιορισμός διεύθυνσης



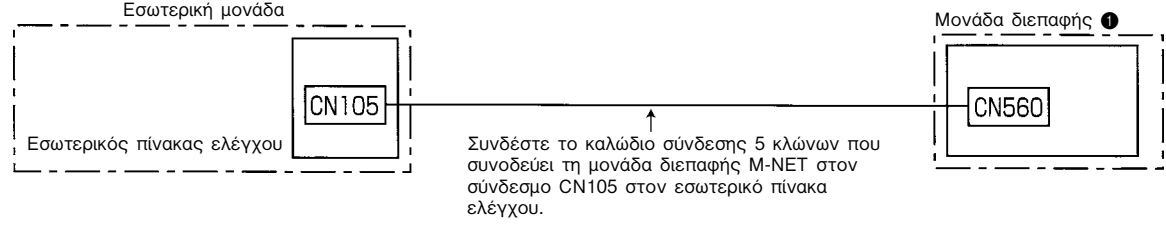
Το SW510 ρυθμίζει τη θέση 10 της διεύθυνσης και το SW501 ορίζει τη θέση 1 της διεύθυνσης. Για παράδειγμα, για να ορίσετε μια μονάδα στη διεύθυνση 25, ορίστε το SW510 στο "2" και το SW501 στο "5."

## ■ Θέση του SW500, SW501, SW510

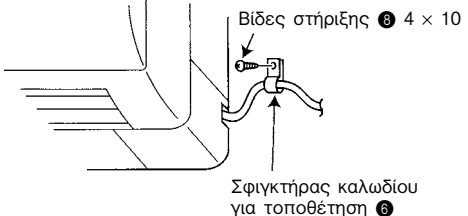
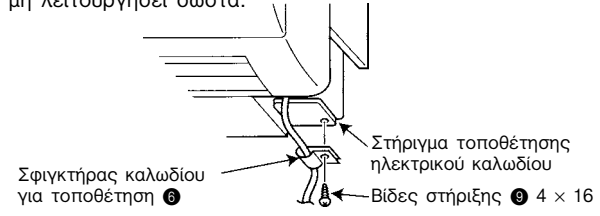


## 5. Σύνδεση της Διεπαφής M-NET με μια εσωτερική μονάδα

Σύνδεση του πίνακα Διεπαφής M-NET στον εσωτερικό πίνακα ελέγχου.



- Το καλώδιο σύνδεσης 5 κλώνων που είναι συνδεδεμένο στην εσωτερική μονάδα θα πρέπει να στερεωθεί πάνω ή κοντά στην εσωτερική μονάδα. Εάν το καλώδιο σύνδεσης 5 κλώνων δεν έχει στερεωθεί καλά, ο σύνδεσμος μπορεί να αποσυνδεθεί, να σπάσει ή να μη λειτουργήσει σωστά.

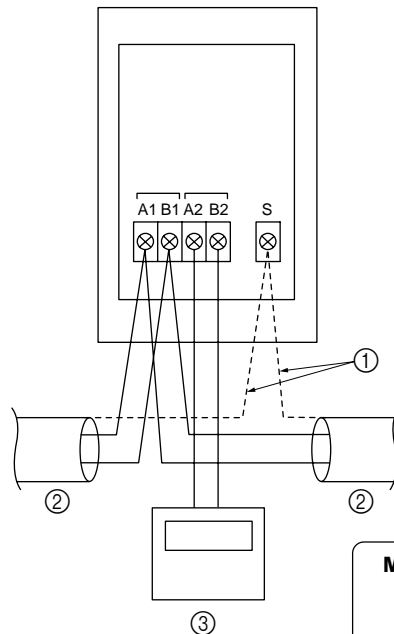
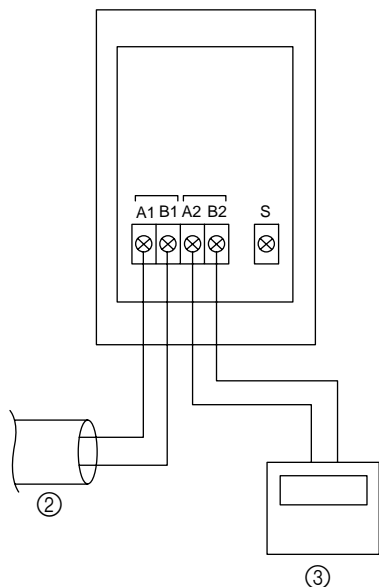


## 6. Σύνδεση της Διεπαφής M-NET, της Τροφοδοσίας ενέργειας και του Τηλεχειριστηρίου ME

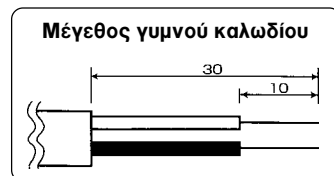
- Όταν συνδέετε τη μονάδα με ένα χειριστήριο συστήματος ή ένα Τηλεχειριστήριο ME, συνδέστε τη γραμμή μετάδοσης του M-NET στο τερματικό του σήματος ελέγχου.
- Συνδέστε τα καλώδια σύνδεσης 2 κλώνων **A** στο A1/B1 ή A2/B2 (μπορούν να συνδεθούν και με τα δύο).
- Διασταυρώστε το τμήμα θωράκισης κάθε καλωδίου σύνδεσης χρησιμοποιώντας το τερματικό S μόνο όταν συνδέετε με τρόπο σταυροειδή τα καλώδια σύνδεσης.
- Όταν συνδέετε τα καλώδια σύνδεσης **A** και τα καλώδια σύνδεσης του Τηλεχειριστηρίου ME **B** στον τερματικό πίνακα, δεν υπάρχει λόγος να ανησυχείτε για την πόλωση.

Όταν τα καλώδια σύνδεσης **A** δεν συνδέονται με σταυροειδή τρόπο

Όταν τα καλώδια σύνδεσης **A** συνδέονται με σταυροειδή τρόπο



- 1 Προστατευτική ασπίδα
- 2 Καλώδια σύνδεσης **A** (καλώδιο μετάδοσης M-NET)
- 3 Τηλεχειριστήριο ME (μόνο όταν απαιτείται)

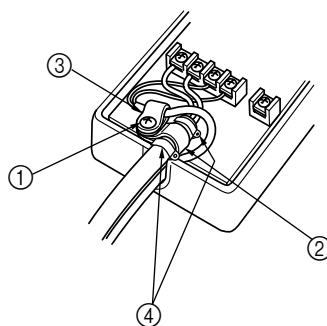
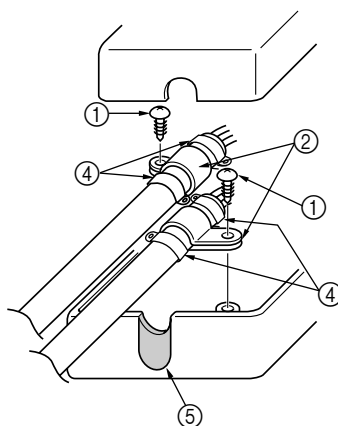
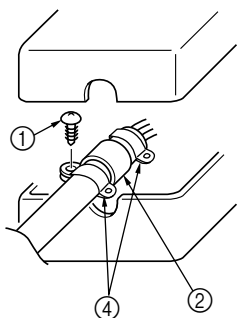


- Μετά την ολοκλήρωση της σύνδεσης των καλωδιώσεων, ασφαλίστε τα καλώδια με το σφικτήρα καλωδίου (μεγάλο) και με τους συνδέσμους καλωδίων.

Όταν τα καλώδια σύνδεσης **B** δεν συνδέονται με σταυροειδή τρόπο

Όταν τα καλώδια σύνδεσης **B** συνδέονται με σταυροειδή τρόπο

Όταν χρησιμοποιείτε το τηλεχειριστήριο ME



- 1 Βίδες
- 2 Σφικτήρας καλωδίου (μεγάλος)
- 3 Σφικτήρας καλωδίου (μικρός)

- 4 Σύνδεσμοι καλωδίων
- 5 Με μια πένσα κόψτε τις εγχοπές. Βεβαιωθείτε ότι η κομμένη επιφάνεια δεν έχει προεξοχές έτσι ώστε στο καλώδιο σύνδεσης να μην προκληθεί καμία ζημιά.

### ⚠ Προσοχή

- Οι ηλεκτρικές εργασίες πρέπει να εκτελούνται σύμφωνα με τα Τεχνικά Πρότυπα Ηλεκτρικού Εξοπλισμού και τα Εσωτερικά Πρότυπα Καλωδίωσης.
- Η καλωδίωση σύνδεσης και η καλωδίωση τηλεχειριστηρίου θα πρέπει να βρίσκονται όσο πιο μακριά γίνεται από άλλες ηλεκτρικές καλωδιώσεις. Εάν η τοποθέτηση γίνει σε πολύ μικρή απόσταση υπάρχει κίνδυνος πρόκλησης ζημιάς.

## 7. Σημειώσεις Σχετικά με τη Χρήση

Παρακαλούμε διαβάστε τις πληροφορίες αυτές προσεκτικά πριν επιχειρήσετε να κάνετε δοκιμαστική λειτουργία. Οι παρακάτω πληροφορίες ελέγχου θα πρέπει να δοθούν και να εξηγηθούν στους χρήστες αυτής της συσκευής. (Μόλις ολοκληρωθεί η εγκατάσταση οι οδηγίες αυτές θα πρέπει να δοθούν στον χρήστη.)

- \* Αυτή η Διεπαφή M-NET λειτουργεί τη Σειρά M/P/S Series με τη χρήση χειριστηρίων μιας κλιματιστικής μονάδας (city-multi), αλλά υπάρχει ένας αριθμός περιορισμών που επιβάλλονται ως αποτέλεσμα των λειτουργικών διαφορών μεταξύ της Σειράς M/P/S Series και των κλιματιστικών μονάδων.
1. Όταν λειτουργεί το σύστημα χρησιμοποιεί ένα χειριστήριο συστήματος ή ένα Τηλεχειριστήριο ME. Οι λειτουργίες αυτές δεν θα εμφανίζονται στην οθόνη του ασύρματου τηλεχειριστηρίου.
  2. Οι λειτουργίες που είναι διαθέσιμες μόνο στη σειρά M (π.χ.. ECONO COOL) δεν μπορούν να λειτουργήσουν χρησιμοποιώντας το Τηλεχειριστήριο ME/Χειριστήριο Συστήματος. Όταν αυτές οι λειτουργίες χρησιμοποιούνται μέσω του ασύρματου τηλεχειριστηρίου που συνοδεύει τη σειρά M, η λειτουργία δε θα εμφανιστεί στην οθόνη του Τηλεχειριστηρίου ME/Χειριστηρίου Συστήματος.
  3. Οι λειτουργίες που είναι διαθέσιμες στο Τηλεχειριστήριο ME/Χειριστήριο Συστήματος αλλά δεν είναι διαθέσιμες στη σειρά M/P/S μπορούν να λειτουργήσουν με αλλαγή σε μια προκαθορισμένη ξεχωριστή κατάσταση λειτουργίας. (Ανατρέξτε στο "Πίνακας Λειτουργιών που Ενεργοποιούνται από το Τηλεχειριστήριο ME/Χειριστήριο Συστήματος.")
  4. Οι λειτουργίες που είναι διαθέσιμες στο τηλεχειριστήριο της σειράς M/P/S αλλά δεν είναι διαθέσιμες στο Τηλεχειριστήριο ME/Χειριστήριο Συστήματος θα παράγουν μια προκαθορισμένη οθόνη. Σε αυτήν την περίπτωση, η πραγματική λειτουργία και η οθόνη ενδέχεται να διαφέρουν. (Εάν η ταχύτητα του ανεμιστήρα οριστεί αυτόματα μέσω του τηλεχειριστηρίου που συνοδεύει τη σειρά M/P/S, η ρύθμιση "High" θα εμφανιστεί στο Τηλεχειριστήριο ME/Χειριστήριο Συστήματος. Κατά τον ίδιο τρόπο, εάν η κατεύθυνση του ανεμιστήρα έχει οριστεί στο αυτόματο, θα εμφανιστεί η ρύθμιση "Ροή αέρα προς τα κάτω 80%" στο Τηλεχειριστήριο ME/Χειριστήριο Συστήματος.)
  5. Επειδή το εύρος της θερμοκρασίας της σειράς M/S είναι ευρύτερο από το Τηλεχειριστήριο ME/Χειριστήριο Συστήματος, όταν η σειρά M/S έχει οριστεί σε λιγότερο από 17 °C ή μεγαλύτερο από 30 °C, η οθόνη θερμοκρασίας στο Τηλεχειριστήριο ME/Χειριστήριο Συστήματος θα εμφανίσει την ελάχιστη ή τη μέγιστη θερμοκρασία που μπορεί να οριστεί. (Για παράδειγμα, ακόμη και αν το κλιματιστικό δωματίου έχει οριστεί να ψύξει ένα δωμάτιο στους 16 °C, η οθόνη στο Τηλεχειριστήριο ME/Χειριστήριο Συστήματος μπορεί να αναγράφει "17 °C".) Η σειρά M/S λειτουργεί σύμφωνα με τη θερμοκρασία δωματίου που ανιχνεύεται από τη μονάδα της σειράς M/S.
  6. Οι λειτουργίες χρονομέτρου θα πρέπει να ορίζονται μόνο μέσω του τηλεχειριστηρίου που συνοδεύει τη σειρά M/P/S ή το Τηλεχειριστήριο ME/Χειριστήριο Συστήματος. Αν χρησιμοποιούνται και τα δύο για τον καθορισμό του χρονομέτρου στην ίδια ώρα, το χρονόμετρο δε θα λειτουργεί κανονικά.
  7. Όταν το χρονόμετρο ρυθμίζεται μέσω του τηλεχειριστηρίου που συνοδεύει τη σειρά M/P/S, οι πληροφορίες χρονομέτρου δε θα εμφανίζονται στο Τηλεχειριστήριο ME/Χειριστήριο Συστήματος.
  8. Εάν το χρονόμετρο ρυθμίζεται μέσω του Τηλεχειριστηρίου ME/Χειριστηρίου Συστήματος, ο καθορισμός χρονομέτρου με τη συγκεκριμένη συσκευή δε θα ακυρωθεί ακόμα και αν η μονάδα τίθεται εκτός λειτουργίας μέσω του τηλεχειριστηρίου που συνοδεύει τη σειρά M/P/S.
  9. Όταν δεν επιτρέπονται οι μη αυτόματες λειτουργίες μέσω του χειριστή συστήματος, το τηλεχειριστήριο που συνοδεύει τη σειρά M/P/S δε θα λειτουργεί, αλλά το ηχητικό σήμα που εκπέμπεται όταν λειτουργεί κανονικά θα συνεχίσει να παράγεται.
  10. Για να διαγράψετε ένα μήνυμα σφάλματος από την οθόνη του Τηλεχειριστηρίου ME/Χειριστηρίου Συστήματος, απενεργοποιήστε για λίγο τη μονάδα μέσω του Τηλεχειριστηρίου ME/Χειριστηρίου Συστήματος ή του τηλεχειριστηρίου που συνοδεύει τη σειρά M/P/S. (Η οθόνη σφάλματος πάνω στη μονάδα του κλιματιστικού μπορεί να σβήσει αυτόματα, αλλά δε θα σβήσει από το Τηλεχειριστήριο ME/Χειριστήριο Συστήματος έως ότου η μονάδα απενεργοποιηθεί.)
  11. Δεν μπορεί να χρησιμοποιηθεί ο αισθητήρας θερμοκρασίας δωματίου που υπάρχει εγκατεστημένος στο Τηλεχειριστήριο ME.



## 8. Πίνακας Λειτουργιών που Ενεργοποιούνται από το Τηλεχειριστήριο ΜΕ/Χειριστήριο Συστήματος

Λειτουργίες που χρησιμοποιούνται από το ασύρματο τηλεχειριστήριο που συνοδεύει τη σειρά M/P/S.

[Symbol] Ο: Διαθέσιμη/Δ: Διαθέσιμη με περιορισμούς στην οθόνη/x: Μη διαθέσιμη/-: Μη εφαρμόσιμη (καμία λειτουργία)

Λειτουργίες *1		Τηλεχειριστήριο ΜΕ	G-50A	BACnet/F	LM-AP
On/Off	Ενεργοποίηση (Λειτουργία)	Ο	Ο	Ο	Ο
	Απενεργοποίηση (Διακοπή)	Ο	Ο	Ο	Ο
Τρόπος λειτουργίας	Αυτόματη λειτουργία (Λειτουργία)	Ο	Ο	Ο	Ο
	Μη Αυτόματη Ψύξη (Ψύξη)	Ο	Ο	Ο	Ο
	Μη Αυτόματη Θέρμανση (Θέρμανση)	Ο	Ο	Ο	Ο
	Μη Αυτόματο Ξηρό (Ξηρό)	Ο	Ο	Ο	Ο
	Καθαρισμός αέρα (Ανεμιστήρας)	Ο	Ο	Ο	Ο
Ταχύτητα ανεμιστήρα (MSZ, S, P)	Χαμηλό (Πρώτο: Χαμηλό)	Ο	Ο	Ο	Ο
	Μεσ. (Δεύτερο: Μεσαίο 2) Μεσ. (Τρίτο: Μεσαίο 2)	Ο	Ο	Ο	Ο
	Υψηλό (Τρίτο: Μεσαίο 1) Υψηλό (Τέταρτο: Υψηλό)	Ο	Ο	Ο	Ο
	Πολύ υψηλό (Τέταρτο: Υψηλό)	Ο	Ο	Ο	Ο
	ΑΥΤΟΜΑΤΟ	Δ (Υψηλό)	Δ (Υψηλό)	Δ (Υψηλό)	Δ (Υψηλό)
Ταχύτητα ανεμιστήρα (MFZ)	Χαμηλό (Πρώτο: Χαμηλό)	Ο	Ο	Ο	Ο
	Μεσ. (Δεύτερο: Μεσαίο) Μεσ. (Δεύτερο: Μεσαίο 1)	Ο	Ο	Ο	Ο
	Υψηλό (Τρίτο: Μεσαίο) Μεσ. (Δεύτερο: Μεσαίο 2)	Ο	Ο	Ο	Ο
	Πολύ υψηλό (Τέταρτο: Υψηλό)	Ο	Ο	Ο	Ο
	ΑΥΤΟΜΑΤΟ	Δ (Υψηλό)	Δ (Υψηλό)	Δ (Υψηλό)	Δ (Υψηλό)
Κατεύθυνση αέρα	Θέση 1 (Οριζόντια)	Ο	Ο	Ο	—
	Θέση 2 (Κάτω ροή Θέση 2)	Ο	Ο	Ο	—
	Θέση 3 (Κάτω ροή Θέση 3)	Ο	Ο	Ο	—
	Θέση 4 (Κάθετα)	Ο	Ο	Ο	—
	Θέση 5 (Κάθετα)	Ο	Ο	Ο	—
	Ταλάντωση	Ο	Ο	Ο	—
	ΑΥΤΟΜΑΤΟ	Δ (Κάτω ροή Θέση 3)	Δ (Κάτω ροή Θέση 3)	Δ (Κάτω ροή Θέση 3)	—
Ρύθμιση θερμοκρασίας	16°C–31°C	Ο	Ο	Ο	Ο
Οθόνη	Οθόνη χρονομέτρου	×	×	×	×
	Θερμ. εισόδου (10–38°C) *2	Δ	Δ	Ο	Ο

\*1: Οι λειτουργίες που δεν είναι διαθέσιμες στη σειρά M/P/S (MAC-399IF) δεν μπορούν να εκτελεστούν.

Η οθόνη της πλευράς M-NET εμφανίζεται σε ( ).

\*2: Η οθόνη δεν εμφανίζεται στο ασύρματο τηλεχειριστήριο.

## 9. Προδιαγραφές

Πλευρά κλιματιστικού	Τάση εισόδου	12 V <sub>DC</sub>
	Κατανάλωση ισχύος	0,6 W
	Ρεύμα εισόδου	0,05 A
Πλευρά M-NET	Τάση εισόδου	17–24 V <sub>DC</sub>

# Índice

1. Instruções de Segurança .....	58
2. Antes da Instalação .....	59
3. Montagem da Unidade de Interface M-NET .....	60
4. Definição dos Interruptores .....	61
5. Ligação da Interface M-NET à unidade interior .....	62
6. Ligação da Interface M-NET, da Alimentação e do Controlo Remoto ME .....	63
7. Notas Relativas à Utilização .....	64
8. Tabela das Funções Activadas a partir do Controlo Remoto ME/Controlo do Sistema .....	65
9. Especificações .....	65

## 1. Instruções de Segurança

- Leia todas as Instruções de Segurança antes de utilizar o dispositivo.
- Este manual contém informações importantes relativas à segurança. Certifique-se de que respeita todas as instruções.
- Depois de instalar a Interface, disponibilize este Manual de Instalação ao utilizador.  
Dê instruções aos utilizadores para que guardem o Manual de Instruções e a Garantia do aparelho de ar condicionado para divisões num local seguro.

### **Aviso**

(Um manuseamento incorrecto pode ter consequências graves, incluindo ferimentos ou morte.)

■ **Os utilizadores não devem instalar a Interface pessoalmente.**

Uma instalação incorrecta pode resultar em incêndio ou choque eléctrico e se a unidade de Interface cair podem ocorrer danos/fugas de água. Consulte o revendedor onde adquiriu a unidade ou um técnico de instalação.

■ **A Interface deve ser instalada com segurança de acordo com as Instruções de Instalação incluídas.**

Uma instalação incorrecta pode resultar em incêndio ou choque eléctrico e se a unidade de Interface cair podem ocorrer danos/fugas de água.

■ **A unidade deve ser montada num local que possa suportar o seu peso.**

Se for instalada numa área que não a suporte, a unidade de Interface pode cair e provocar danos.

■ **Coloque firmemente a tampa dos componentes eléctricos na unidade de Interface.**

Se a tampa dos componentes eléctricos da unidade de Interface não estiver bem colocada, pode verificar-se a entrada de água ou pó, resultando em incêndio ou choque eléctrico.

■ **Para a instalação, devem ser utilizados componentes Mitsubishi ou outros componentes adequados.**

Uma instalação incorrecta pode resultar em incêndio ou choque eléctrico e se a unidade de Interface cair podem ocorrer danos/fugas de água.

■ **Quando executar trabalhos eléctricos, cumpra as normas técnicas relativas a equipamento eléctrico e as normas de ligações interiores, siga as instruções fornecidas no Manual de Instruções e certifique-se de que utiliza um circuito dedicado.**

Um circuito de capacidade inadequada ou uma instalação incorrecta pode resultar em incêndio ou choque eléctrico.

## 2. Antes da Instalação

### 2.1. Como Utilizar a Interface M-NET

#### ⚠ Cuidado

Ao utilizar o controlo remoto de um sistema de aparelho de ar condicionado compacto (city-multi), não é possível registar aparelhos de ar condicionado compactos e aparelhos de ar condicionado para divisões no mesmo grupo. Neste caso, registre o aparelho de ar condicionado compacto e o aparelho de ar condicionado para divisões em grupos diferentes.

#### ■ Funções

Gestão centralizada e individual das séries M/P/S através da M-NET(\*).

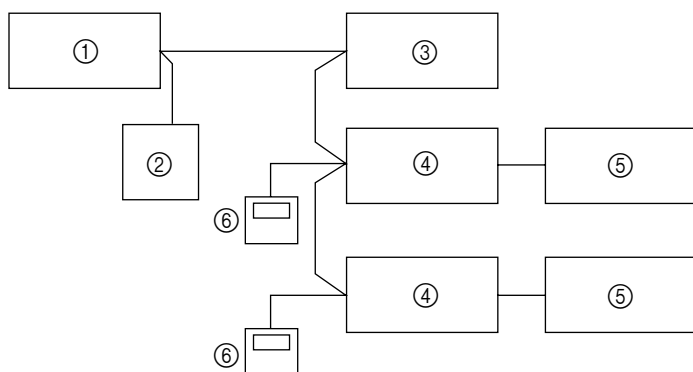
\* Um tipo de controlo de aparelho de ar condicionado compacto (city-multi)

#### ■ Produtos Relacionados Vendidos Separadamente

- Controlo Remoto ME PAR-F27MEA
- Controlo Centralizado G-50A
- Controlo Remoto do Sistema PAC-SF44SRA
- Controlo Remoto ON/OFF (LIGAR/DESLIGAR) PAC-YT40ANRA
- Temporizador de Programação (M-NET) PAC-YT34STA
- Unidade de alimentação eléctrica PAC-SC50KUA

#### ■ Exemplo de Configuração do Sistema (apenas unidade exterior da série M/S)

Exemplo de configuração de um sistema através de um controlo centralizado



- ① Controlo centralizado (M-NET)
- ② Unidade de alimentação eléctrica
- ③ Sistema de ar condicionado compacto
- ④ Interface M-NET
- ⑤ Unidade interior
- ⑥ Controlo Remoto ME

\* Podem ligar-se, no máximo, 50 unidades ao controlo centralizado (G-50A), incluindo aparelhos de ar condicionado compactos e aparelhos de ar condicionado para divisões. A ligação da Interface M-NET ao controlo centralizado pode ter um comprimento máximo de 500 m. A ligação da Interface M-NET ao Controlo Remoto ME pode ter um comprimento máximo de 10 m.

Para obter mais informações, consulte o Catálogo MELANS e os manuais de instruções do Controlo Centralizado e do Controlo Remoto ME.

### 2.2. Acessório

Antes de instalar o dispositivo, certifique-se de que possui todas as peças necessárias.

#### ■ Acessório

①	Unidade de Interface (com cabos de ligação de 5 condutores)	1
②	Suportes de montagem	1
③	Parafusos para fixação ② 3,5 × 12	4
④	Material de protecção almofadado (com adesivo)	1
⑤	Braçadeira de cabo para fixação (pequena)	2
⑥	Braçadeira de cabo para fixação (grande)	2
⑦	Parafusos para fixação ⑤ e ⑥ 3,5 × 12	2
⑧	Parafuso para fixação ⑤ e ⑥ 4 × 10	1
⑨	* Utilizar para a fixação da braçadeira de cabo na série M e em torno desta.	1
⑩	Parafuso para fixação ⑤ e ⑥ 4 × 16	1
⑪	* Utilizar para a fixação da braçadeira de cabo em conjunto com as peças da série M.	1
⑫	Braçadeiras	4
⑬	Grampos (para unir os fios condutores)	5
⑭	Braçadeira de cabo para ligação	5
⑮	Parafusos para fixação ⑭ 3,5 × 12	5
⑯	Parafusos de fixação da caixa de Interface 3,5 × 12	2

#### ■ Itens a Preparar no Local de Instalação

A	Ligação eléctrica (controlo centralizado) Cabos blindados CVVS/CPEVS
B	Ligação eléctrica (para a ligação do Controlo Remoto ME) Fios do controlo remoto (fio revestido, 2 núcleos, 0,3 mm <sup>2</sup> )
C	Peças relacionadas vendidas separadamente * Prepare a quantidade necessária de peças vendidas separadamente, de acordo com os requisitos do seu sistema.

\* CPEVS; cabo de comunicação blindado, revestido com PVC e isolado com PE

\* CVVS; cabo de controlo blindado, revestido e isolado com PVC  
PE: polietileno PVC: cloreto de polivinilo

### 3. Montagem da Unidade de Interface M-NET

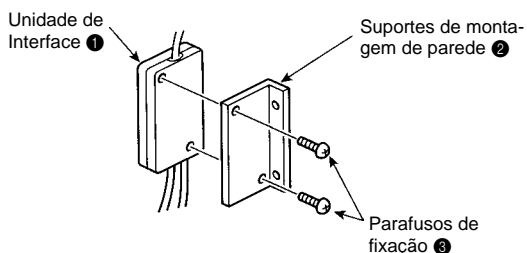
A unidade de Interface M-NET deve ser instalada num local a partir do qual o cabo de ligação de 5 núcleos da interface possa chegar a uma unidade interior.

Não estique o cabo de ligação de 5 núcleos. Isto provocará mau funcionamento do dispositivo.

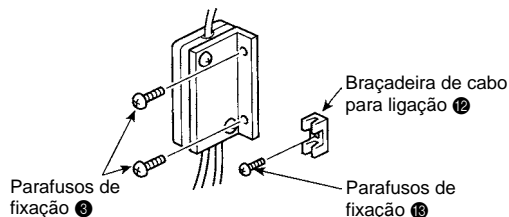
Fixe firmemente a unidade de interface a um pilar ou à parede utilizando 2 ou mais parafusos.

#### ■ Utilização de Suportes de Montagem de Parede ②

1 Monte os suportes de montagem de parede ② na unidade de interface ① utilizando 2 parafusos de fixação ③.

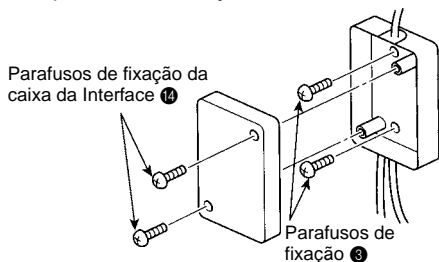


2 Monte a unidade num pilar ou na parede utilizando 2 parafusos de fixação ③.

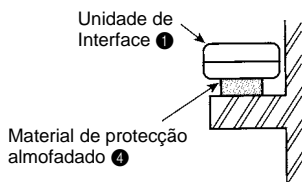


#### ■ Montagem Directa numa Parede

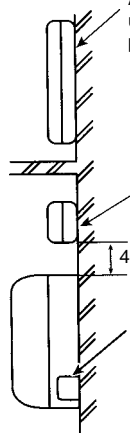
Monte a caixa da unidade de interface ① na parede utilizando os dois parafusos de fixação ③.



\* Quando estiver a montar a unidade de interface ① utilizando material de protecção almofadado ④, certifique-se de que a monta num local onde esta não corra o risco de cair.



Ao montar a unidade de interface ① no interior de um tecto ou parede, instale uma porta de acesso para facilitar a manutenção.



Quando a unidade de interface ① for montada sobre uma unidade interior, esta deve ser posicionada a 40 mm ou mais da unidade, de modo a possibilitar a remoção das grades do tecto.

40 mm ou mais

Insira aqui os cabos de ligação de 5 condutores da unidade de interface ①. Deixe algum cabo de ligação de 5 núcleos extra no espaço da rede de condutas atrás da unidade interior.

\* Se o cabo de ligação de 5 núcleos estiver folgado, use um grampo ① para o fixar.

## 4. Definição dos Interruptores

Se o sistema não estiver bem configurado, a unidade não funcionará correctamente. Pode não ser possível controlar as funções da unidade interior através do Controlo do Sistema/Controlo Remoto ME ou as funções indisponíveis na unidade interior podem surgir no visor do Controlo do Sistema/Controlo Remoto ME. Por isso, deve verificar se o sistema está devidamente configurado antes de ligar a alimentação.

### ■ SW500 No. 1, No. 2 - Desactivados

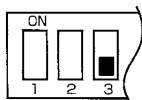
Estes devem estar desligados (OFF) (se estiverem ligados (ON), o dispositivo não comunicará devidamente com o Controlo do Sistema).

### ■ SW500 No. 3 - Definições de Alimentação On/Off (Ligada/Desligada)

Esta definição indica quando a unidade interior deve ser desligada ou ligada quando é fornecida alimentação à unidade interior ou à Interface M-NET.

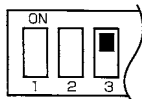
#### Ligada com alimentação: não

[A unidade permanece desligada quando a alimentação é ligada.]



#### Ligada com alimentação: sim

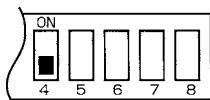
[A unidade é ligada quando é ligada a alimentação.]



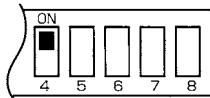
### ■ SW500 No. 4 – Disponibilidade do modo de purificador ou de ventoinha

Se o controlo remoto sem fio não possuir o botão "Purifier" (Purificador) e se a palavra "Fan" (Ventoinha) não aparecer quando é premido o botão "Mode" (Modo), os modos de purificador e de ventoinha não estão disponíveis [desligados (OFF)].

#### Não tem modo de purificador ou de ventoinha



#### Tem modo de purificador ou de ventoinha



### ■ SW500 No. 5–No. 8 - Teste de Funcionamento da série M

SW500	Descrição de função	Procedimento de verificação de função	OFF	ON
No. 5	Disponibilidade do modo de operação automático (modo que permite ao ar condicionado determinar a selecção de refrigeração ou de aquecimento).	Se não for visualizado "Auto" (Automático) ao premir o botão "Mode" (Modo) no controlo remoto sem fio, o modo de operação automático não está disponível (OFF).	Não possui modo de operação automático	Possui modo de operação automático
No. 6	Disponibilidade da definição de oscilação da ventoinha	Se for visualizado "Oscillate" (Oscilação) ao premir o botão "Fan Direction" (Direcção da Ventoinha) no controlo remoto sem fio, a definição de oscilação da ventoinha está disponível (OFF). (Caso não haja botão "Fan Direction" (Direcção da Ventoinha), a definição está OFF (DESLIGADA).)	Tem a definição de oscilação da ventoinha	Não possui definição de oscilação da ventoinha
No. 7	Disponibilidade da definição de direcção da ventoinha	Se houver um botão de "Direcção da Ventoinha" no controlo remoto sem fio, a definição de direcção da ventoinha está disponível (OFF).	Tem a definição de direcção da ventoinha	Não possui definição de direcção da ventoinha
No. 8	Disponibilidade do modo de aquecimento	Se for visualizado "Heat" (Aquecimento) ao premir o botão "Mode" (Modo) do controlo remoto sem fio, esta unidade trata-se de um modelo com refrigeração e aquecimento (OFF).	Modelo com refrigeração e aquecimento	Só unidade de refrigeração

### ■ SW510, SW501 - Definição de endereço

Especifica a definição de endereço para gestão centralizada (a definição de endereço pode ir de 01 a 50).

#### Endereço Automático

dezenas

unidades



SW510

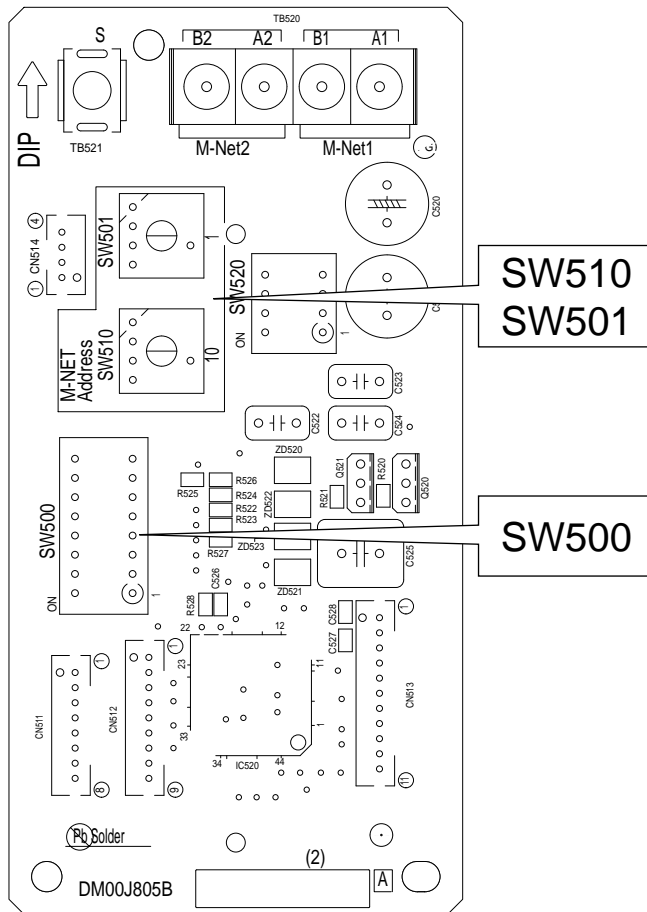
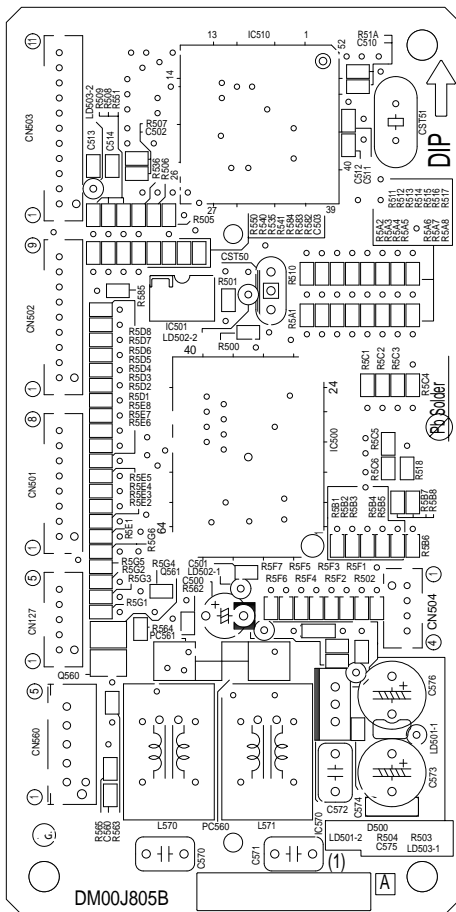


SW501

SW510 define as dezenas no endereço e SW501 define as unidades do endereço.

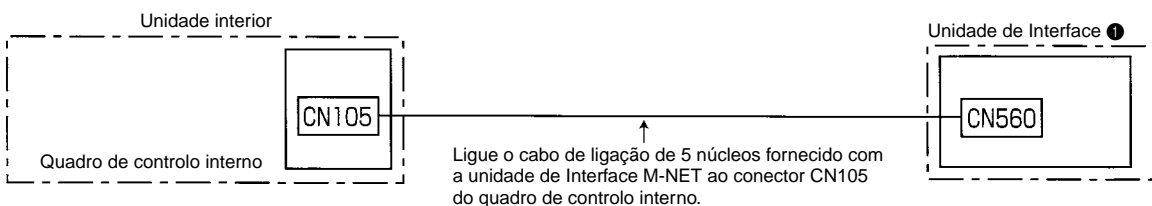
Por exemplo, para definir uma unidade no endereço 25, defina SW510 como "2" e SW501 para "5".

## ■ Posição de SW500, SW501, SW510

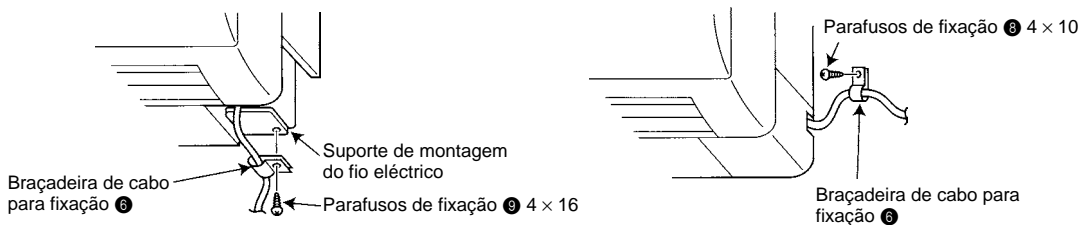


## 5. Ligação da Interface M-NET à unidade interior

Ligue a placa de Interface M-NET ao quadro de controlo interno.



- Os cabos de ligação de 5 núcleos ligados à unidade interior devem ser montados na unidade interior ou próximo da mesma. Se o cabo de ligação de 5 núcleos não estiver bem montado, o conector pode soltar-se, partir ou funcionar de forma incorrecta.

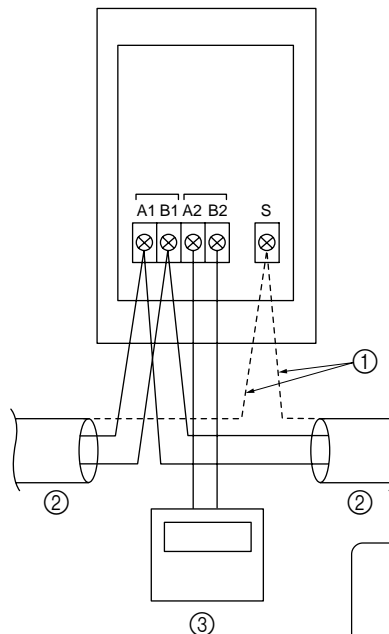
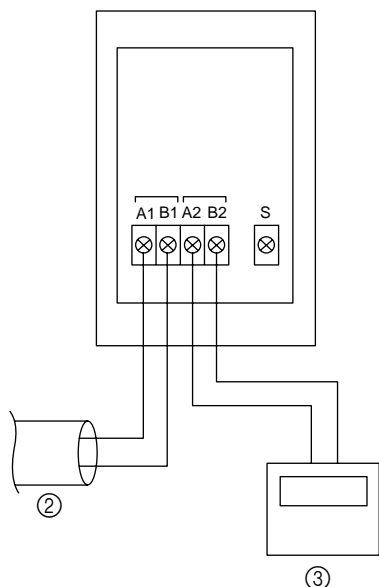


## 6. Ligação da Interface M-NET, da Alimentação e do Controlo Remoto ME

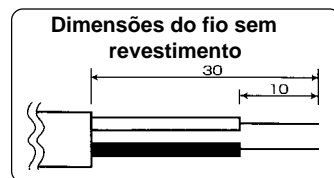
- Ao ligar a unidade a um controlo do sistema ou ao Controlo Remoto ME, ligue a linha de transmissão da M-NET ao terminal do sinal de controlo.
- Ligue os fios de ligação de 2- núcleos **A** a A1/B1 ou A2/B2 (podem ser ligados a qualquer um).
- Cruze a parte blindada de cada fio de ligação no terminal S só quando utilizar a mesma ligação para os fios.
- Se ligar os fios de ligação **A** e as do Controlo Remoto ME **B** à placa de bornes, não tem que se preocupar com a polaridade.

Com os fios de ligação **A** em ligações independentes

Com os fios de ligação **A** nas mesmas ligações



- ① Blindagem
- ② Fios de ligação **A** (fio de transmissão M-NET)
- ③ Controlo Remoto ME (só quando for necessário)

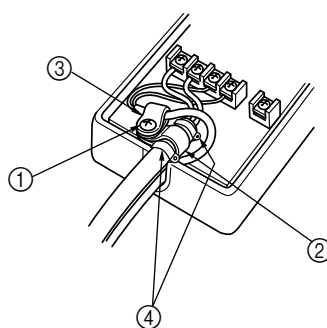
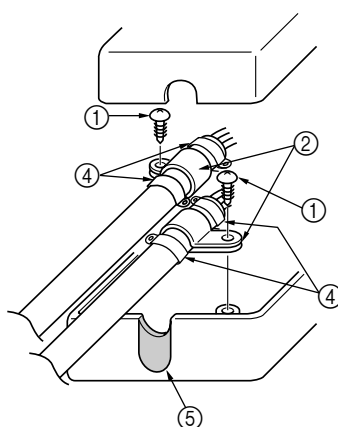
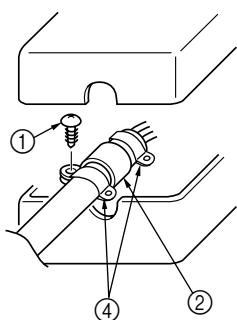


- Depois de completada a ligação, fixe os fios com a braçadeira de cabo (grande) e as braçadeiras.

Com os fios de ligação **A** em ligações independentes

Com os fios de ligação **A** nas mesmas ligações

Utilização de controlo remoto ME



- ① Parafusos
- ② Braçadeira de cabo (grande)
- ③ Braçadeira de cabo (pequena)

- ④ Braçadeiras
- ⑤ Corte com um alicate nos entalhes. Certifique-se de que a superfície cortada não apresenta rebarbas para que o fio de ligação não fique danificado.

### ⚠ Cuidado

- Os trabalhos eléctricos devem ser executados em conformidade com as Normas Técnicas Relativas a Equipamento Eléctrico e com as Normas de Ligações Interiores.
- O fio de ligação e do controlo remoto devem estar o mais afastados possível de outras ligações eléctricas. A disposição demasiado próxima dos fios pode provocar avarias.

## 7. Notas Relativas à Utilização

Leia atentamente estas informações antes de tentar efectuar um teste de funcionamento.

As seguintes informações de controlo devem ser perfeitamente explicadas e disponibilizadas aos utilizadores deste dispositivo. (Disponibilize estas instruções ao utilizador depois de terminada a instalação.)

\* Esta Interface M-NET controla as Séries M/P/S através dos controlos de um aparelho de ar condicionado compacto (city-multi), mas são impostas várias limitações resultantes das diferenças de funcionamento entre as Séries M/P/S e os aparelhos de ar condicionado compactos.

1. Quando operar o sistema com um controlo do sistema ou Controlo Remoto ME, estas operações não aparecem no visor do controlo remoto sem fio.
2. As funções disponíveis apenas na série M [por exemplo, ECONO COOL (ARREFECIMENTO ECONO)] não podem ser operadas com o Controlo Remoto ME/Controlo do Sistema. Quando estas funções são operadas com o controlo remoto sem fio fornecido com a série M, a operação não será mostrada no visor do Controlo Remoto ME/Controlo do Sistema.
3. As funções disponíveis no Controlo Remoto ME/Controlo do Sistema que não estão disponíveis nas séries M/P/S, podem ser utilizadas passando para um modo de operação separado predeterminado. (Consulte a "Tabela das Funções Activadas a partir do Controlo Remoto ME/Controlo do Sistema.")
4. As funções disponíveis no controlo remoto das séries M/P/S e que não estão disponíveis no Controlo Remoto ME/Controlo do Sistema não fazem surgir um visor predeterminado. Neste caso, a operação em curso e o visor podem ser diferentes. (Se a velocidade da ventoinha for definida automaticamente com o controlo remoto fornecido com as séries M/P/S, a definição "High" (Alta) será visualizada no Controlo Remoto ME/Controlo do Sistema. Do mesmo modo, se a direcção da ventoinha for definida como automática, a definição "Fluxo de Ar Dirigido Para Baixo a 80%" será visualizada no Controlo Remoto ME/Controlo do Sistema.)
5. Uma vez que a variação da temperatura da série M/S é superior à do Controlo Remoto ME/Controlo do Sistema, quando a definição da série M/S é inferior a 17 °C ou superior a 30 °C, o visor da temperatura no Controlo Remoto ME/Controlo do Sistema apresenta a definição de temperatura máxima ou mínima possível. (Por exemplo, mesmo que o aparelho de ar condicionado para divisões esteja definido para refrigerar uma divisão a 16 °C, o visor no Controlo Remoto ME/Controlo do Sistema pode apresentar "17 °C".)  
A série M/S funciona de acordo com a temperatura ambiente detectada pela unidade da série M/S.
6. As operações do temporizador só devem ser definidas com o controlo remoto fornecido com as séries M/P/S ou com o Controlo Remoto ME/Controlo do Sistema. Se ambos forem utilizados para definir o temporizador com a mesma definição, o temporizador não funciona devidamente.
7. Se o temporizador for definido com o controlo remoto fornecido com as séries M/P/S, as informações do temporizador não serão visualizadas no Controlo Remoto ME/Controlo do Sistema.
8. Se o temporizador for definido com o Controlo Remoto ME/Controlo do Sistema, a definição realizada com este dispositivo não será cancelada mesmo que a unidade seja desligada através do controlo remoto fornecido com as séries M/P/S.
9. Quando não são permitidas operações manuais através do controlo do sistema, o controlo remoto fornecido com as séries M/P/S não funciona, mas o sinal sonoro que é emitido durante o funcionamento normal permanecerá.
10. Para eliminar uma mensagem de erro do visor do Controlo Remoto ME/Controlo do Sistema, desligue a unidade por instantes com o Controlo Remoto ME/Controlo do Sistema ou com o controlo remoto fornecido com as séries M/P/S. (O erro visualizado na unidade de ar condicionado pode ser eliminado automaticamente, mas não será eliminado do Controlo Remoto ME/Controlo do Sistema até que a unidade seja desligada.)
11. O sensor de temperatura ambiente instalado no Controlo Remoto ME não pode ser utilizado.



## 8. Tabela das Funções Activadas a partir do Controlo Remoto ME/Controlo do Sistema

Funções operadas com o controlo remoto sem fio fornecido com as séries M/P/S.

[Símbolo] ○: Disponível/ △: disponível no visor com limitações/x: Não disponível/-: Não aplicável (sem funções)

Funções *1		Controlo remoto ME	G-50A	BACnet/F	LM-AP
Ligado/Desligado	Alimentação Ligada (Funcionamento)	○	○	○	○
	Alimentação Desligada (Paragem)	○	○	○	○
Mode	Operação Auto (Operação)	○	○	○	○
	Arrefecimento Manual (Arrefecimento)	○	○	○	○
	Aquecimento Manual (Quente)	○	○	○	○
	Desumidificação Manual (Desumidificação)	○	○	○	○
	Purificação do ar (Ventoinha)	○	○	○	○
Velocidade da ventoinha (MSZ, S, P)	Baixa (Primeira: Baixa)	○	○	○	○
	Média (Segunda: Média2) Média (Terceira: Média2)	○	○	○	○
	Alta (Terceira: Média1) Alta (Quarta: Alta)	○	○	○	○
	Muito alta (Quarta: Alta)	○	○	○	○
	AUTO	△ (Alta)	△ (Alta)	△ (Alta)	△ (Alta)
Velocidade da ventoinha (MFZ)	Baixa (Primeira: Baixa)	○	○	○	○
	Média (Segunda: Média) Média (Segunda: Média1)	○	○	○	○
	Alta (Terceira: Média) Média (Segunda: Média2)	○	○	○	○
	Muito alta (Quarta: Alta)	○	○	○	○
	AUTO	△ (Alta)	△ (Alta)	△ (Alta)	△ (Alta)
Direcção do ar	Posição1 (Horizontal)	○	○	○	—
	Posição2 (Fluxo para baixo Posição2)	○	○	○	—
	Posição3 (Fluxo para baixo Posição3)	○	○	○	—
	Posição4 (Vertical)	○	○	○	—
	Posição5 (Vertical)	○	○	○	—
	Oscilação	○	○	○	—
	AUTO	△ (Fluxo para baixo Posição3)	△ (Fluxo para baixo Posição3)	△ (Fluxo para baixo Posição3)	—
Regular temperatura	16°C–31°C	○	○	○	○
Monitor	Visor de temporizador	×	×	×	×
	Temp. de entrada (10–38°C) *2	△	△	○	○

\*1: As funções não disponíveis nas séries M/P/S (MAC-399IF) não podem ser efectuadas.

A indicação na parte da M-NET é mostrada entre ( ).

\*2: A indicação não aparece no controlo remoto sem fio.

## 9. Especificações

Parte do aparelho de ar condicionado	Tensão de entrada	12 V $\overline{\text{---}}$
	Consumo de energia	0,6 W
	Corrente de entrada	0,05 A
Parte da M-NET	Tensão de entrada	17–24 V $\overline{\text{---}}$

# Indhold

1. Sikkerhedsregler .....	66
2. Inden installationen .....	67
3. Montering af M-NET interface-enhed .....	68
4. Indstilling af kontakterne .....	69
5. Tilslutning af M-NET interface til indendørsenhed .....	70
6. Tilslutning af M-NET interface, strømforsyningen og ME fjernbetjeningen .....	71
7. Bemærkninger om anvendelsen .....	72
8. Tabel over funktioner, der aktiveres fra ME-fjernbetjening/systemstyringsenhed .....	73
9. Specifikationer .....	73

## 1. Sikkerhedsregler

- Læs alle sikkerhedsregler, før du bruger udstyret.
- Denne vejledning indeholder vigtige oplysninger om sikkerheden. Sørg for at overholde alle regler.
- Når interfacet er installeret, skal brugeren have udleveret denne installationsvejledning.  
Giv brugere besked på at opbevare deres betjeningsvejledning og garanti for klimaanlægget på et sikkert sted.



### Advarsel

(Forkert håndtering kan have alvorlige følger, herunder personskade eller dødsfald.)

■ **Brugere bør ikke selv installere interfacet.**

Hvis enheden ikke installeres korrekt, kan det medføre brand, elektrisk stød eller beskadigelse/vandlækage, hvis interface-enheden falder ned. Henvend Dem til den forhandler, hvor De har købt anlægget, eller til en fagkyndig installatør.

■ **Interfacet bør installeres sikkert i overensstemmelse med den vedlagte installationsvejledning.**

Hvis enheden ikke installeres korrekt, kan det medføre brand, elektrisk stød eller beskadigelse/vandlækage, hvis interface-enheden falder ned.

■ **Enheden bør monteres på et sted, der kan bære enhedens vægt.**

Hvis den bliver installeret på et område, der ikke kan bære enheden, vil interface-enheden kunne falde ned og forårsage skade.

■ **Sæt dækslet over de elektriske komponenter sikkert fast på interface-enheden.**

Hvis dækslet over de elektriske komponenter på interface-enheden ikke er sat sikkert på, vil støv eller vand kunne trænge ind, hvilket kan forårsage brand eller elektrisk stød.

■ **Der skal anvendes Mitsubishi-komponenter eller andre hertil beregnede komponenter til installation.**

Hvis enheden ikke installeres korrekt, kan det medføre brand, elektrisk stød eller beskadigelse/vandlækage, hvis interface-enheden falder ned.

■ **Når der udføres el-arbejde, skal de Tekniske standarder for elektrisk udstyr og Standarderne for intern kabelføring overholdes ligesom de instruktioner, der er indeholdt i betjeningsvejledningen, og sørg for at anvende et dedikeret kredsløb.**

Hvis kredsløbets kapacitet er utilstrækkeligt eller installationen forkert udført, kan det forårsage brand eller elektrisk stød.

## 2. Inden installationen

### 2.1. Sådan anvendes M-NET interface

#### ⚠ Forsigtig

Når et kompakt klima anlægs (city-multi) fjernbetjening benyttes, kan kompakte klima anlæg og rumklima anlæg ikke registreres i samme gruppe. I så fald skal det kompakte klima anlæg og rumklima anlægget registreres i hver sin gruppe.

#### ■ Funktioner

Central og individuel styring af serie M/P/S ved hjælp af M-NET(\*).

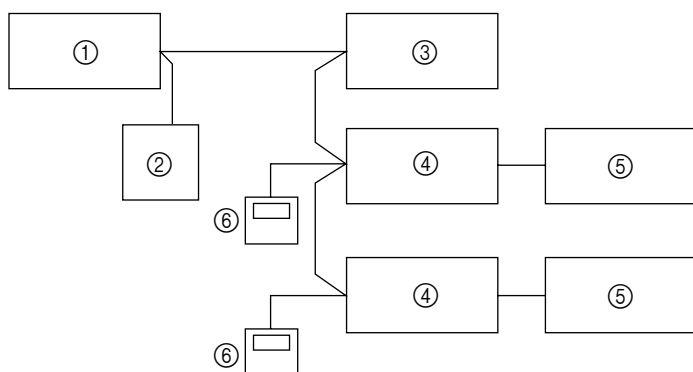
\* En form for styring af kompakte klima anlæg (city-multi)

#### ■ Relaterede produkter, der sælges separat

- ME fjernbetjening PAR-F27MEA
- Central styreenhed G-50A
- System fjernbetjening PAC-SF44SRA
- ON/OFF fjernbetjening PAC-YT40ANRA
- Planlægningstimer (M-NET) PAC-YT34STA
- Strømforsyningsenhed PAC-SC50KUA

#### ■ Eksempel på en systemkonfiguration (kun serie M/S udendørsenhed)

Eksempel på konfiguration af et system, der anvender en central styreenhed.



- ① Central styreenhed (M-NET)
- ② Strømforsyningsenhed
- ③ Kompakt klima anlæg
- ④ M-NET interface
- ⑤ Indendørsenhed
- ⑥ ME fjernbetjening

\* Antallet af enheder, der kan tilsluttes den centrale styringsenhed (G-50A), er maks. 50, inklusive kompakte klima anlæg og rumklima anlæg. Ledningsføringen fra M-NET interface til den centrale styreenhed kan maksimalt have en længde på 500 m. Ledningsføringen fra M-NET interface til ME fjernbetjening har en maksimal længde på 10 m. Der findes yderligere oplysninger i MELANS kataloget og betjeningsvejledningerne for den centrale styreenhed og ME fjernbetjening.

### 2.2. Tilbehør

Sørg for, at du har alle nødvendige dele, før du installerer udstyret.

#### ■ Tilbehør

①	Interface-enhed (med 5-leder forbindelseskabel)	1
②	Monteringsbeslag	1
③	Monteringsskruer ② 3,5 × 12	4
④	Polstringsmateriale (med klæbebånd)	1
⑤	Kabelholder for montering (lille)	2
⑥	Monteringskabelholder (stor)	2
⑦	Monteringsskruer ⑤ og ⑥ 3,5 × 12	2
⑧	Monteringsskruer ⑤ og ⑥ 4 × 10 * Brug denne ved montering af ledningsmonteringsklemmen på eller i nærheden af M-serien.	1
⑨	Monteringsskruer ⑤ og ⑥ 4 × 16 * Brug denne ved montering af ledningsmonteringsklemmen sammen med M-seriens dele.	1
⑩	Kabelbånd	4
⑪	Muffe (til samling af de strømførende ledninger)	5
⑫	Kabelholder til ledningsføring	5
⑬	Monteringsskruer ⑫ 3,5 × 12	5
⑭	Monteringsskruer til interfacets kasse 3,5 × 12	2

#### ■ Genstande der skal klargøres på installationsstedet

A	Forbindelseskabler (central styreenhed) Skærmede kabler CVVS/CPEVS
B	Forbindelseskabel (for tilslutning af ME fjernbetjening) Kabler for fjernbetjening (skærmet kabel, 2 ledere, 0,3 mm <sup>2</sup> )
C	Relaterede dele, der sælges separat * Klargør det nødvendige antal separat indkøbte dele, som systemet kræver.

\* CPEVS; skærmet kommunikationskabel med PE isolering og PVC yderbelægning

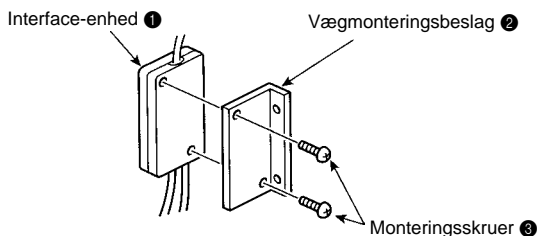
\* CVVS; skærmet styrekabel med PVC isolering og PVC yderbelægning  
PE: Polyethylen PVC: Polyvinylchlorid

### 3. Montering af M-NET interface-enhed

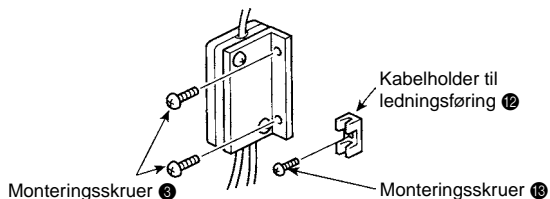
M-NET-interfaceenheden skal placeres på et sted, hvor det 5-trådede forbindelseskabel interfacet kan nå en indendørsenhed. Forlæng ikke det 5-trådede forbindelseskabel. Det kan forårsage fejlfunktion i enheden. Monter interface-enheden sikkert på en søjle eller væg ved hjælp af 2 eller flere skruer.

#### ■ Ved anvendelse af vægmonteringsbeslag ②

**1** Sæt vægmonteringsbeslagene ② fast på interface-enheden ① ved hjælp af 2 monteringskruer ③.

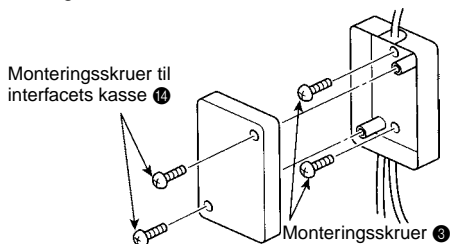


**2** Monter enheden til en søjle eller væg ved hjælp af 2 monteringskruer ③.

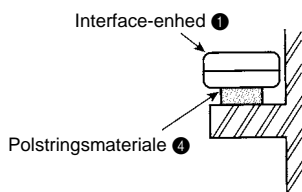


#### ■ Ved montering direkte på væg

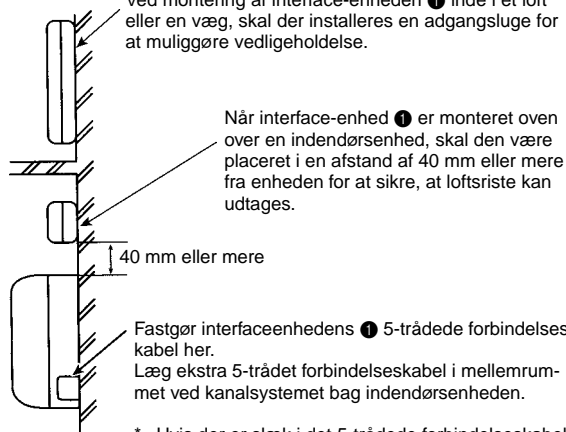
Monter interface-enheden ① kasse på væggen ved hjælp af monteringskruer ③.



\* Når der anvendes polstringsmateriale ④ i forbindelse med montering af interface-enheden ①, skal den monteres på et sted, hvor den ikke kan falde ned.



Ved montering af interface-enheden ① inde i et loft eller en væg, skal der installeres en adgangsluge for at muliggøre vedligeholdelse.



Når interface-enhed ① er monteret oven over en indendørsenhed, skal den være placeret i en afstand af 40 mm eller mere fra enheden for at sikre, at loftsriste kan udtages.

Fastgør interfaceenhedens ① 5-trådede forbindelseskabel her. Læg ekstra 5-trådet forbindelseskabel i mellemrummet ved kanalsystemet bag indendørsenheden.

\* Hvis der er slæk i det 5-trådede forbindelseskabel, bruges et beslag ① til at holde det på plads.

## 4. Indstilling af kontakterne

Hvis systemet ikke er korrekt konfigureret, vil enheden ikke kunne fungere korrekt. Du vil muligvis ikke være i stand til at styre indendørsenhedens funktioner fra systemstyringsenheden/ME-fjernbetjeningen, eller der kan blive vist funktioner, der ikke findes på din indendørsenhed, på systemstyringsenhedens/ME-fjernbetjeningens display. Du bør derfor sikre, at systemet er korrekt konfigureret, inden strømforsyningen slutes til.

### ■ SW500 No. 1, No. 2 - Ikke i brug

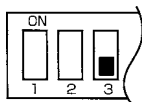
Disse skal være indstillet på OFF (hvis de står på ON, vil udstyret ikke kunne kommunikere korrekt med systemstyringsenheden).

### ■ SW500 No. 3 - Indstillingerne On/Off

Denne indstilling angiver, om indendørsenheden skal være slået fra eller til, når indendørsenheden eller M-NET interfacet forsynes med strøm.

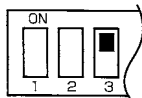
#### Slå til med strømforsyning No

[Enheden forbliver slukket, når strømmen er tilsluttet.]



#### Slå til med strømforsyning Yes

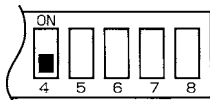
[Enheden tændes, når strømmen er tilsluttet.]



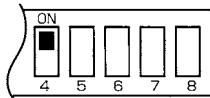
### ■ SW500 No. 4 – Mulighed for luftrensere eller ventilatorfunktion

Hvis der ikke findes nogen knap "Luftrensere" på den trådløse fjernbetjening, og hvis ordet "Ventilator" ikke vises, når der trykkes på knappen "Funktion", er luftrensere- og ventilatorfunktionerne ikke til rådighed (indstil på OFF).

Er ikke udstyret med luftrensere- eller ventilatorfunktion.



Er udstyret med luftrensere- eller ventilatorfunktion



### ■ SW500 No. 5–No. 8 - Funktionskontrol af M-serien

SW500	Funktionsbeskrivelse	Sådan kontrolleres en funktion	OFF	ON
No. 5	Mulighed for automatisk driftsfunktion (en funktion, der giver klimaanlægget mulighed for at afgøre, om der skal afkøles eller opvarmes).	Hvis teksten "Auto" ikke vises, når du trykker på knappen "Funktion" på den trådløse fjernbetjening, er den automatiske driftsfunktion ikke til rådighed (OFF).	Er ikke udstyret med en automatisk driftsfunktion	Er udstyret med en automatisk driftsfunktion
No. 6	Mulighed for indstilling af ventilatoroscillation	Hvis teksten "Oscillation" vises, når du trykker på knappen "Ventilatorretning" på den trådløse fjernbetjening, er oscillationsindstillingen til rådighed (OFF). (Hvis der ikke er nogen knap for "Ventilatorretning", er indstillingen OFF.)	Er udstyret med indstilling for ventilatoroscillation	Er ikke udstyret med indstilling for ventilatoroscillation
No. 7	Mulighed for indstilling af ventilatorretningen	Hvis der findes en tast for "Ventilatorretning" på den trådløse fjernbetjening, er indstillingen for ventilatorretning til rådighed (OFF).	Er udstyret med indstilling for ventilatorretning	Er ikke udstyret med indstilling for ventilatorretning
No. 8	Mulighed for opvarmingsfunktion	Hvis "Opvarmning" vises, når du trykker på knappen "Funktion" på den trådløse fjernbetjening, er enheden en model, der muliggør både afkøling og opvarmning (OFF).	Dobbeltmodel med afkøling og opvarmning	Kun køleenhed

### ■ SW510, SW501 - Adresseindstillinger

Specificerer adresseindstillingerne for centralstyring (adresseindstillinger kan indstilles fra 01–50).

#### Egenadresse

10'ernes position

1'ernes position



SW510



SW501

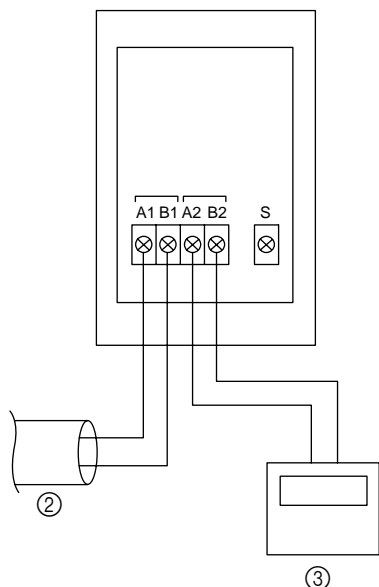
SW510 indstiller 10'ernes position i adressen, og SW501 indstiller 1'ernes position i adressen. Hvis f.eks. en enhed skal indstilles på adressen 25, skal SW510 indstilles på "2" og SW501 på "5".



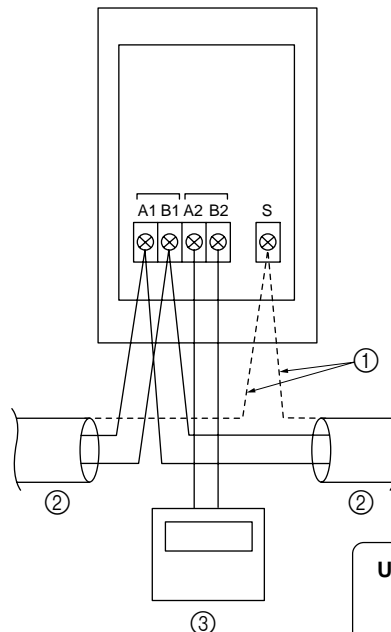
## 6. Tilslutning af M-NET interface, strømforsyningen og ME fjernbetjeningen

- Når enheden skal tilsluttes til en systemstyringsenhed eller ME fjernbetjening, skal transmissionsledningen for M-NET forbindes med klemrækken for styresignaler. Tilslut de 2-ledede forbindelseskabler **A** til A1/B1 eller A2/B2 (de kan tilsluttes til en hvilken som helst af dem).
- Den skærmede del af de enkelte forbindelseskabler må kun krydses ved hjælp af S-klemrækken, når forbindelseskablerne krydsforbindes.
- Når forbindelseskablerne **A** og ME fjernbetjeningens forbindelseskabler **B** sluttes til klemrækken, er det ikke nødvendigt at tage højde for polariteten.

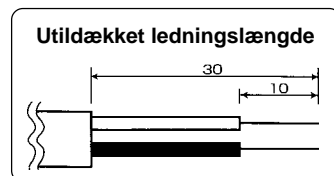
Når forbindelseskablerne **A** ikke er krydsforbundet



Når forbindelseskablerne **A** er krydsforbundet

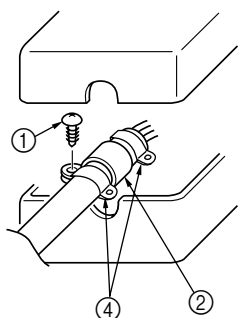


- ① Afskærmning
- ② Forbindelseskabler **A** (M-NET transmissionskabel)
- ③ ME fjernbetjening (kun når påkrævet)



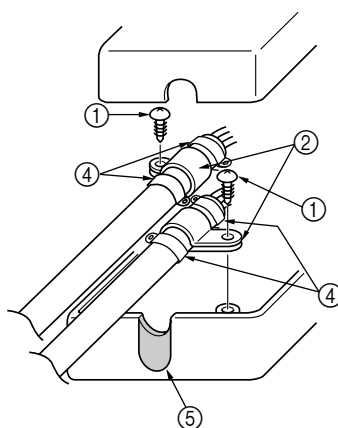
- Når ledningsføringen er udført, fastgøres kablerne med kabelklemmen (stor) og kabelbåndene.

Når forbindelseskablerne **A** ikke er krydsforbundet



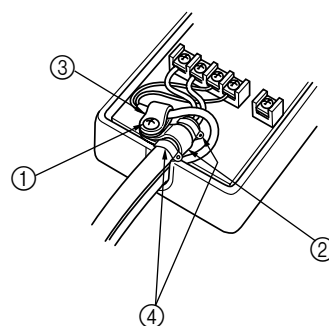
- ① Skruer
- ② Kabelholder (stor)
- ③ Kabelholder (lille)

Når forbindelseskablerne **A** er krydsforbundet



- ④ Kabelbånd
- ⑤ Klip af med en knibetang ved enderne. Sørg for at den afskårne overflade er uden flosser, så forbindelseskablet ikke bliver beskadiget.

Ved brug af ME-fjernbetjeningen



### ⚠ Forsigtig

- El-arbejdet bør udføres i overensstemmelse med De tekniske standarder for elektrisk udstyr og Standarderne for intern kabelføring.
- Forbindelseskabler og fjernstyringskabler bør være placeret længst muligt væk fra andre elektriske ledninger. Hvis de placeres for tæt sammen, kan det medføre fejlfunktion.

## 7. Bemærkninger om anvendelsen

Læs venligst denne information omhyggeligt, før du forsøger en testkørsel.

Følgende kontroloplysninger bør forklares grundigt og udleveres til brugerne af dette udstyr. (Sørg for, at brugeren får udleveret denne vejledning, når installationen er afsluttet.)

- \* Dette M-NET interface betjener serie M/P/S ved hjælp af betjeningselementerne på et kompakt klimaanlæg (city-multi), men det indebærer adskillige begrænsninger som følge af forskelle i funktionerne i serie M/P/S og kompakte klimaanlæg.
  1. Når systemet betjenes ved hjælp af en systemstyringsenhed eller en ME-fjernbetjening, vil disse funktioner ikke blive vist på den trådløse fjernbetjenings display.
  2. Funktioner, der kun findes på serie M (f.eks. ECONO COOL), kan ikke betjenes med ME-fjernbetjeningen/systemstyringsenheden. Når disse funktioner betjenes med den trådløse fjernbetjening, der fulgte med serie M, vil disse funktioner ikke blive vist på ME-fjernbetjeningens/systemstyringsenhedens display.
  3. Funktioner, der er til rådighed på ME-fjernbetjeningen/systemstyringsenheden, men ikke på serie M/P/S, kan betjenes ved at slå over på en forudindstillet, separat driftsfunktion. (Se "Tabel over funktioner, der aktiveres fra ME-fjernbetjening/systemstyringsenhed").
  4. Funktioner, der er til rådighed på fjernbetjeningen til serie M/P/S, men ikke på ME-fjernbetjeningen/systemstyringsenheden, vil blive vist i henhold til forprogrammering. I dette tilfælde kan den faktiske betjening og det viste afvige. (Hvis ventilatorens hastighed er indstillet automatisk ved hjælp af den fjernbetjening, der blev leveret sammen med serie M/P/S, vil indstillingen "Høj" blive vist på ME-fjernbetjeningen/systemstyringsenheden. På samme måde vil indstillingen "Nedadgående luftstrøm 80%" blive vist på ME-fjernbetjeningen/systemstyringsenheden, hvis ventilatorretningen er indstillet på automatisk.)
  5. Da temperaturområdet på serie M/S er bredere end på ME-fjernbetjeningen/systemstyringsenheden, når serie M/S er indstillet på mindre end 17 °C eller over 30 °C, vil temperaturvisningen på ME-fjernbetjeningen/systemstyringsenheden vise den minimale eller maksimale temperatur, der kan indstilles. (F.eks. selv om rumklimaanlægget er indstillet til at afkøle et rum til 16 °C, kan det forekomme, at ME-fjernbetjeningens/systemstyringsenhedens display viser "17 °C".) Serie M/S fungerer i henhold til den rumtemperatur, der registreres af serie M/S-enheden.
  6. Timerdrift bør udelukkende indstilles ved hjælp af den fjernbetjening, der blev leveret sammen med serie M/P/S eller ME-fjernbetjeningen/systemstyringsenheden. Hvis begge dele anvendes til at indstille timeren til samme tid, vil timeren ikke fungere korrekt.
  7. Når timeren er indstillet ved hjælp af den fjernbetjening, der blev leveret sammen med serie M/P/S, vil timerens information ikke blive vist på ME-fjernbetjeningen/systemstyringsenheden.
  8. Hvis timeren er indstillet ved hjælp af ME-fjernbetjeningen/systemstyringsenheden, vil den timer, der er indstillet med dette udstyr, ikke blive annulleret, selv om der slukkes for enheden på den fjernbetjening, der blev leveret sammen med serie M/P/S.
  9. Når manuel betjening ved hjælp af systemstyringsenheden ikke er tilladt, vil den fjernbetjening, der blev leveret sammen med serie M/P/S, ikke fungere, men den bip-lyd, der udsendes under betjening, vil fortsat kunne høres.
  10. En fejlmeddelelse slettes fra displayet på ME-fjernbetjeningen/systemstyringsenheden ved kort at slukke for enheden ved hjælp af ME-fjernbetjeningen/systemstyringsenheden eller den fjernbetjening, der blev leveret sammen med serie M/P/S. (Fejlvisningen på klimaanlægsenheden kan slettes automatisk, men vil ikke blive slettet på ME-fjernbetjeningen/systemstyringsenheden, før enheden er slået fra.)
  11. Rumtemperatursensoren, der er installeret i ME-fjernbetjeningen, kan ikke anvendes.



## 8. Tabel over funktioner, der aktiveres fra ME-fjernbetjening/systemstyringsenhed

Funktioner, der kan betjenes fra den trådløse fjernbetjening, der blev leveret med serie M/P/S.

[Symbol] ○: Til rådighed/△: Til rådighed med begrænsninger på display/×: Ikke til rådighed/– : Ikke relevant (ingen funktioner)

Funktioner *1		ME-fjernbetjening	G-50A	BACnet/F	LM-AP
On/Off	Tændt (Drift)	○	○	○	○
	Slukket (Stop)	○	○	○	○
Funktion	Automatisk driftsfunktion (Drift)	○	○	○	○
	Manuel afkøling (Afkøling)	○	○	○	○
	Manuel opvarmning (Opvarmning)	○	○	○	○
	Manuel tørring (Tørring)	○	○	○	○
	Luftrensning (Ventilator)	○	○	○	○
Ventilatorhastighed (MSZ, S, P)	Lav (Første: Lav)	○	○	○	○
	Mel. (Anden: Mellem2)	○	○	○	○
	Mel. (Tredje: Mellem2)	○	○	○	○
	Høj (Tredje: Mellem1)	○	○	○	○
	Høj (Fjerde: Høj)	○	○	○	○
	Superhøj (Fjerde: Høj)	○	○	○	○
AUTO	△ (Høj)	△ (Høj)	△ (Høj)	△ (Høj)	
Ventilatorhastighed (MFZ)	Lav (Første: Lav)	○	○	○	○
	Mel. (Anden: Mellem)	○	○	○	○
	Mel. (Anden: Mellem1)	○	○	○	○
	Høj (Tredje: Mellem)	○	○	○	○
	Mel. (Anden: Mellem2)	○	○	○	○
Superhøj (Fjerde: Høj)	○	○	○	○	
AUTO	△ (Høj)	△ (Høj)	△ (Høj)	△ (Høj)	
Luftretning	Position1 (Horisontal)	○	○	○	—
	Position2 (Bundflow Position2)	○	○	○	—
	Position3 (Bundflow Position3)	○	○	○	—
	Position4 (Vertikal)	○	○	○	—
	Position5 (Vertikal)	○	○	○	—
	Oscillation	○	○	○	—
	AUTO	△ (Bundflow Position3)	△ (Bundflow Position3)	△ (Bundflow Position3)	—
Temperaturindstilling	16°C–31°C	○	○	○	○
Skærm	Timerdisplay	×	×	×	×
	Indtagtemp. (10–38°C) *2	△	△	○	○

\*1: Funktioner, der ikke er til rådighed på serie M/P/S (MAC-399IF), kan ikke udføres.  
Displayet på M-NET-siden er vist i ( ).

\*2: Displayet vises ikke på den trådløse fjernbetjening.

## 9. Specifikationer

Klimaanlæggets side	Indgangsspænding	12 V $\overline{\text{---}}$
	Strømforbrug	0,6 W
	Indgangsstrøm	0,05 A
M-NET's side	Indgangsspænding	17–24 V $\overline{\text{---}}$

## Innehåll

1. Säkerhetsanvisningar .....	74
2. Före installationen .....	75
3. Montera M-NET-gränssnittsenheten .....	76
4. Ställa in omkopplarna .....	77
5. Ansluta M-NET-gränssnittet till en inomhusenhet .....	78
6. Ansluta M-NET-gränssnittet, strömförsörjningen och ME-fjärrkontrollen .....	79
7. Anmärkningar angående användning .....	80
8. Tabell över funktioner som aktiveras med ME-fjärrkontrollen/systemstyrenheten .....	81
9. Specifikationer .....	81

## 1. Säkerhetsanvisningar

- Läs alla säkerhetsanvisningar innan enheten används.
- Den här bruksanvisningen innehåller viktig säkerhetsinformation. Följ alla instruktioner.
- Överlämna den här installationshandboken till användaren när gränssnittet installerats.  
Be användarna att de förvarar luftkonditioneringens bruksanvisning och garanti på en säker plats.

### Varning

(Felaktig hantering kan få allvarliga följder, inklusive personskador och dödsfall.)

■ **Användare bör inte installera gränssnittet själva.**

Felaktig installation kan leda till brand, elstötar och skador/vattenläckor om gränssnittet faller ned. Rådfråga den återförsäljare som sålde enheten eller en professionell installatör.

■ **Gränssnittet ska monteras ordentligt i enlighet med de medföljande installationsanvisningarna.**

Felaktig installation kan leda till brand, elstötar och skador/vattenläckor om gränssnittet faller ned.

■ **Enheten ska monteras på en plats som kan bära upp dess vikt.**

Om den installeras på en plats som inte kan bära upp dess vikt kan gränssnittet falla ned och orsaka skador.

■ **Montera elkomponenternas hölje ordentligt på gränssnittet.**

Om elkomponenternas hölje inte monteras ordentligt på gränssnittet kan damm eller vatten tränga in vilket kan leda till brand eller elstötar.

■ **Mitsubishi-komponenter eller andra avsedda komponenter måste användas för installation.**

Felaktig installation kan leda till brand, elstötar och skador/vattenläckor om gränssnittet faller ned.

■ **När elarbeten utförs ska du följa de tekniska standarderna för elektriska utrustningar och ledningsdragning inomhus samt instruktionerna i instruktionshandboken, kom även ihåg att använda en särskild krets.**

En krets med otillräcklig kapacitet eller felaktig installation kan leda till brand eller elstötar.

## 2. Före installationen

### 2.1. Använda M-NET-gränssnittet

#### ⚠ Försiktighet

När en fjärrkontroll för ett luftkonditioneringspaket (city-multi) används, kan du inte registrera luftkonditioneringspaket och rumsluftkonditionerar i samma grupp. I sådana fall ska du registrera luftkonditioneringspaket och rumsluftkonditionerar i olika grupper.

#### ■ Funktioner

Centraliserad och individuell hantering av M/P/S-serien med M-NET(\*).

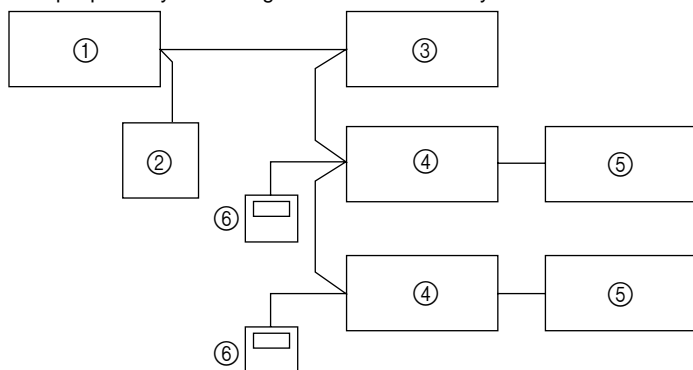
\* En typ av styrning för luftkonditioneringspaket (city-multi)

#### ■ Relaterade produkter som säljs separat

- ME-fjärrkontroll PAR-F27MEA
- Central styrenhet G-50A
- Systemfjärrkontroll PAC-SF44SRA
- PÅ/AV fjärrkontroll PAC-YT40ANRA
- Timer (M-NET) PAC-YT34STA
- Strömförsörjningsenhet PAC-SC50KUA

#### ■ Exempel på systemkonfiguration (endast M/S-seriens utomhusenhet)

Exempel på en systemkonfiguration med central styrenhet



- ① Central styrenhet (M-NET)
- ② Strömförsörjningsenhet
- ③ Luftkonditioneringspaket
- ④ M-NET-gränssnitt
- ⑤ Inomhusenhet
- ⑥ ME-fjärrkontroll

\* Antalet enheter som kan anslutas till den centraliserade styrenheten (G-50A) är högst 50 inklusive luftkonditioneringspaket och rumsluftkonditionerar. Ledningarna från M-NET-gränssnittet till den centrala styrenheten kan ha en maximal längd på 500 m. Ledningarna från M-NET-gränssnittet till ME-fjärrkontrollen kan ha en maximal längd på 10 m. Mer information finns i MELANS-katalogen och instruktionshandböckerna för den centrala styrenheten och ME-fjärrkontrollen.

### 2.2. Tillbehör

Kontrollera att du har alla nödvändiga delar innan enheten installeras.

#### ■ Tillbehör

①	Gränssnittsenhet (med 5-trådig anslutningskabel)	1
②	Monteringsfästen	1
③	Fästskruvar ② 3,5 × 12	4
④	Dämpningsmaterial (med vidhåftningsmedel)	1
⑤	Sladdklämma för montering (liten)	2
⑥	Sladdklämma för montering (stor)	2
⑦	Fästskruvar ⑤ och ⑥ 3,5 × 12	2
⑧	Fästskruvar ⑤ och ⑥ 4 × 10 * Används när sladdklämman monteras på eller i närheten av M-serien.	1
⑨	Fästskruvar ⑤ och ⑥ 4 × 16 * Används när sladdklämman monteras tillsammans med delarna i M-serien.	1
⑩	Buntband	4
⑪	Fästanordningar (för sammanfogning av huvudledningarna)	5
⑫	Sladdklämma för ledningsdragning	5
⑬	Fästskruvar ⑫ 3,5 × 12	5
⑭	Fästskruvar för gränssnittets hölje 3,5 × 12	2

#### ■ Förberedelser på installationsplatsen

A	Anslutningsledningar (central styrenhet) Skärmade ledningar CVVS/CPEVS
B	Anslutningsledningar (för anslutning av ME-fjärrkontroll) Fjärrkontrollsledningar (2-trådig skärmad ledning, 0,3 mm <sup>2</sup> )
C	Relaterade delar som säljs separat * Förbered de delar som säljs separat som krävs för systemet.

\* CPEVS; PE-isolerad PVC-skärmad kommunikationskabel

\* CVVS; PVC-isolerad PVC-skärmad styrkabel

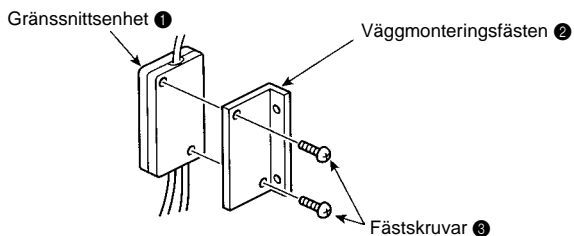
PE: Polyetylen PVC: Polyvinylklorid

### 3. Montera M-NET-gränssnittsenheten

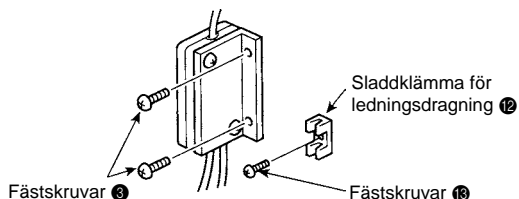
M-NET-gränssnittsenheten ska placeras på en plats där gränssnittets 5-trådiga anslutningskabel kan nå en inomhusenhet. Förläng inte den 5-trådiga anslutningskabeln. Det leder till fel på enheten. Montera gränssnittsenheten ordentligt på en pelare eller vägg med 2 eller fler skruvar.

#### ■ När väggmonteringsfästena används ②

**1** Fäst väggmonteringsfästena ② på gränssnittsenheten ① med 2 fästskruvar ③.

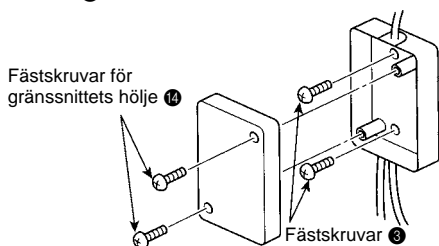


**2** Montera enheten på en pelare eller vägg med 2 fästskruvar ③.

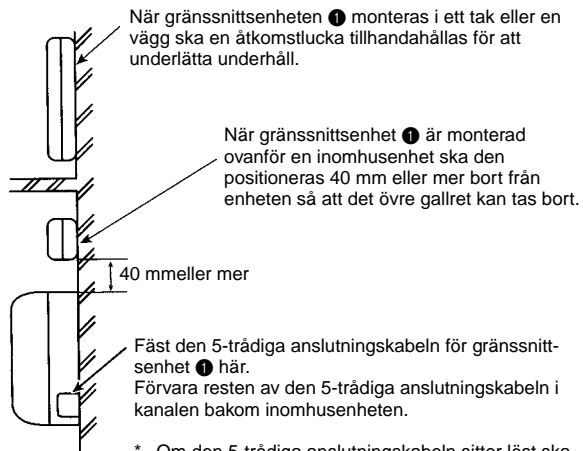
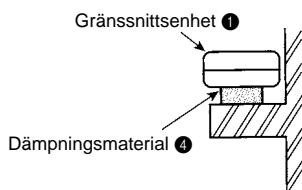


#### ■ Vid montering direkt på vägg

Montera höljet till gränssnittsenheten ① på en vägg med fästskruvarna ④.



\* När gränssnittsenheten ① monteras med dämpningsmaterial ④ ska den monteras på en plats där den inte kan falla ned.



\* Om den 5-trådiga anslutningskabeln sitter löst ska en fästordning ⑪ användas för att hålla den på plats.

## 4. Ställa in omkopplarna

Enheten fungerar inte på rätt sätt om systemet konfigureras fel. Du kanske inte kan styra inomhusenhetens funktioner via systemstyrenheten/ME-fjärrkontrollen eller funktioner som inte finns på inomhusenheten kan visas på systemstyrenhetens/ME-fjärrkontrollens skärm. Därför bör du se till att systemet konfigurerats på rätt sätt innan strömförsörjningen ansluts.

### ■ SW500 No. 1, No. 2 - Används ej

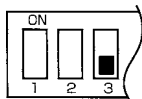
Bör ställas in på AV (om de är inställda på PÅ kan enheten inte kommunicera på rätt sätt med systemstyrenheten).

### ■ SW500 No. 3 - Ström På/Av

Inställningen anger om inomhusenheten ska stängas av eller slås på när ström matas till inomhusenheten eller M-NET-gränssnittet.

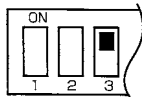
#### Slå på vid strömatning Nej

[Enheten fortsätter att vara avstängd när ström matas.]



#### Slå på vid strömatning Ja

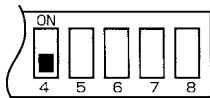
[Enheten slås på när ström matas.]



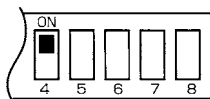
### ■ SW500 No. 4 - Tillgång till renare eller fläktläge

Renaren och fläktläget är inte tillgängliga om det inte finns en Purifier-knapp på fjärrkontrollen och om ordet Fan inte visas när Mode-knappen trycks in (ställ in omkopplaren på AV).

#### Renare eller fläktläge finns ej



#### Renare eller fläktläge finns



### ■ SW500 No. 5–No. 8 - M-serien funktionskontroll

SW500	Funktionsbeskrivning	Kontrollera en funktion	OFF (AV)	ON (På)
No. 5	Tillgång till automatiskt driftläge (ett läge som gör att luftkonditioneringen kan avgöra om nedkylning eller uppvärmning ska väljas).	Automatiskt driftläge är inte tillgängligt (OFF) om "Auto" inte visas när du trycker in "Mode"-knappen på fjärrkontrollen.	Automatiskt driftläge saknas	Automatiskt driftläge finns
No. 6	Tillgång till inställning för oscillerande fläkt	Inställningen för oscillerande fläkt är tillgänglig (OFF) om Oscillate visas när du trycker in knappen "Fan Direction" på fjärrkontrollen. (Inställningen är OFF om knappen Fan Direction saknas.)	Inställning för oscillerande fläkt finns	Inställning för oscillerande fläkt finns inte
No. 7	Tillgång till inställning för fläktriktning	Inställningen för fläktriktning är tillgänglig (OFF) om knappen "Fan Direction" finns på fjärrkontrollen.	Inställning för fläktriktning finns	Inställning för fläktriktning finns inte
No. 8	Tillgång till uppvärmningsläge	Enheten har funktioner för både nedkylning och uppvärmning (OFF) om Heat visas när du trycker in "Mode"-knappen på fjärrkontrollen.	Modell med både nedkylning och uppvärmning	Enhet med enbart nedkylning

### ■ SW510, SW501 - Adressinställningar

Anger adressinställningarna för central hantering (adresserna kan ställas in från 01-50).

#### Självadress

10s position 1s position



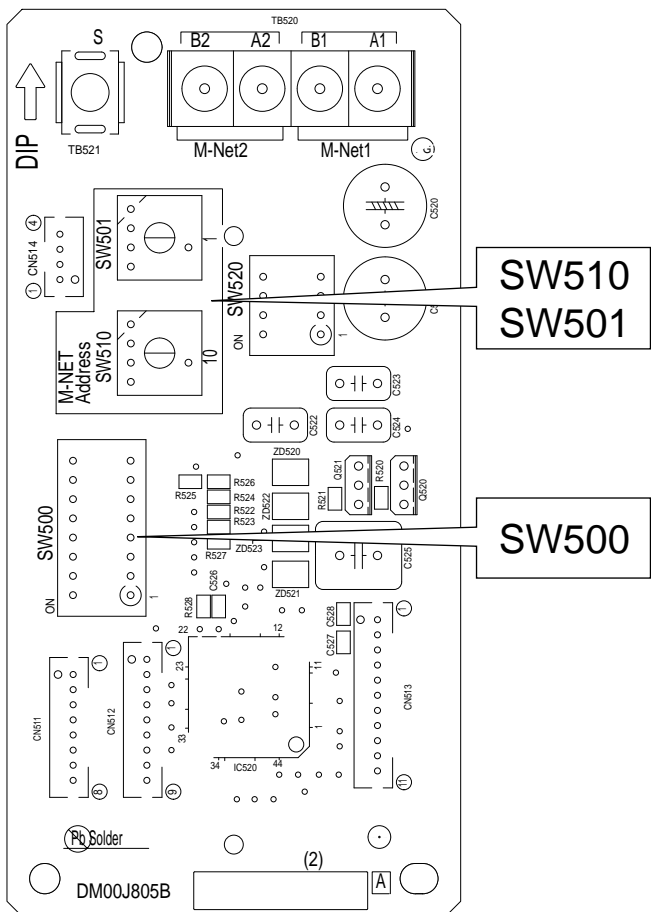
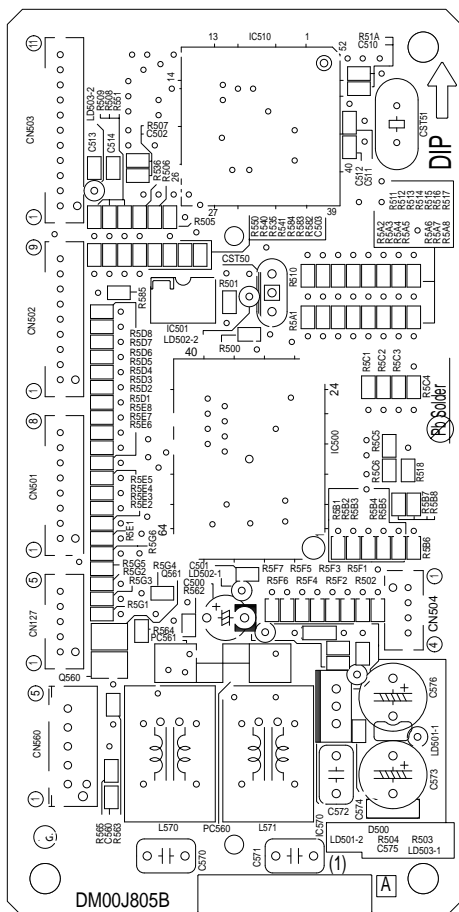
SW510



SW501

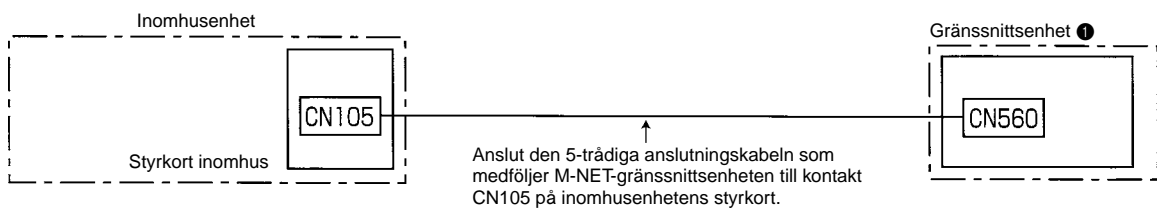
SW510 anger den första siffran i adressen och SW501 anger den andra siffran i adressen. Om adressen t.ex. är 25 ska SW510 ställas in på 2 och SW501 på 5.

■ Position för SW500, SW501, SW510

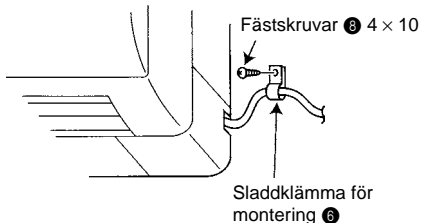
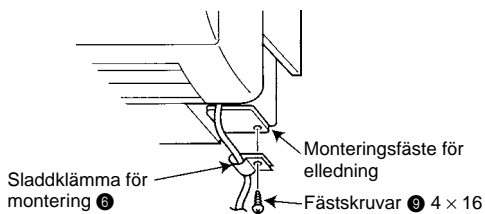


## 5. Ansluta M-NET-gränssnittet till en inomhusenhet

Anslut M-NET-gränssnittskortet till inomhusenhetens styrkort.



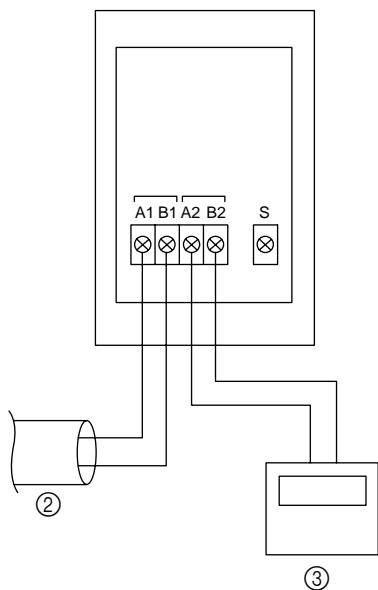
- Den 5-trådiga anslutningskabeln som är ansluten till inomhusenheten ska monteras på eller i närheten av inomhusenheten. Om den 5-trådiga anslutningskabeln inte monteras ordentligt kan kontakten lossna, skadas eller fungera felaktigt.



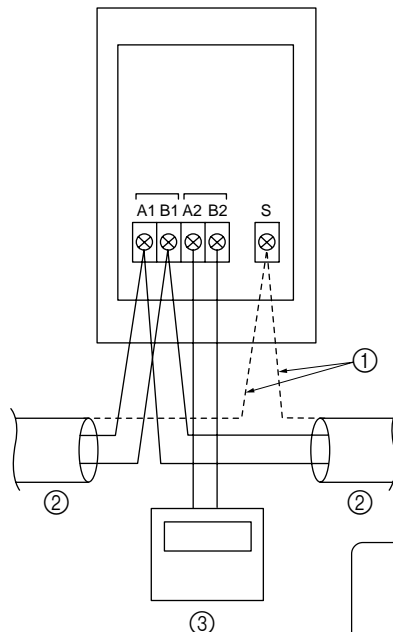
## 6. Ansluta M-NET-gränssnittet, strömförsörjningen och ME-fjärrkontrollen

- När enheten ansluts till en systemstyrenhet eller ME-fjärrkontrollen ska överföringsledningen på M-NET anslutas till styrsignal-suttaget. Anslut de 2-trådiga anslutningsledningarna **A** till A1/B1 eller A2/B2 (de kan anslutas till vilken som).
- Korsa den skärmade delen på anslutningsledningarna med S-uttaget enbart om anslutningsledningarna korskopplas.
- När anslutningsledningarna **A** och ME-fjärrkontrollens anslutningsledning **B** ansluts till kopplingsbordet behöver du inte bry dig om polariteten.

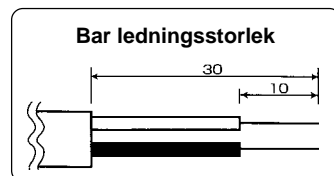
När anslutningsledningarna **A** inte korskopplas



När anslutningsledningarna **A** korskopplas

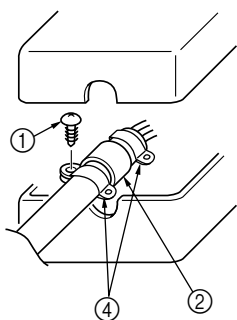


- Skärm
- Anslutningsledningar **A** (M-NET-överföringsledning)
- ME-fjärrkontroll (enbart vid behov)



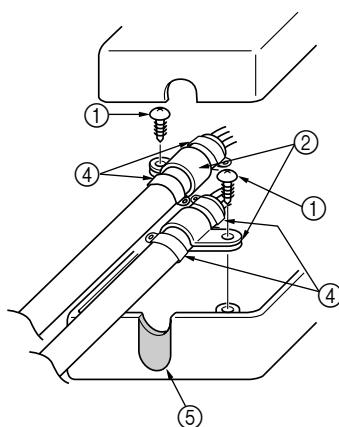
- När ledningsdragningen är klar, fäst ledningarna med kabelklämman (stor) och bundtbanden.

När inkopplingen **A** inte är korskopplad.



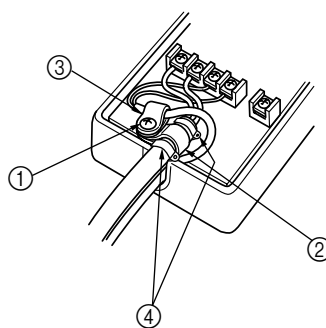
- Skrivar
- Sladdklämman (stor)
- Sladdklämman (liten)

När inkopplingen **A** är korskopplad.



- Buntband
- Skär med avbitartänger vid skärorna. Kontrollera att den skurna ytan är slät så att inte anslutningsledningen skadas.

Vid användning av ME - fjärrkontroll



### ⚠ Försiktighet

- Elarbetena ska utföras i enlighet med de tekniska standarderna för elektriska utrustningar och ledningsdragning inomhus.
- Anslutningsledningarna och fjärrkontrollens ledningar ska placeras så långt bort från andra elledningar som möjligt. Fel kan uppstå om de placeras för nära.

## 7. Anmärkningar angående användning

Läs den här informationen noga innan du gör en testkörning.

Informationen som följer ska förklaras ordentligt för enhetens användare. (Överlämna dessa instruktioner till användaren när installationen är klar.)

- \* M-NET-gränssnittet driver M/P/S-serien med reglagen på ett luftkonditioneringspaket (city-multi) men det finns flera begränsningar på grund av funktionsskillnader mellan M/P/S-serien och luftkonditioneringspaket.
  1. När systemet drivs med en systemstyrenhet eller ME-fjärrkontroll visas inte åtgärderna på den trådlösa fjärrkontrollens skärm.
  2. Funktioner som bara är tillgängliga på M-serien (t.ex. ECONO COOL) kan inte användas med ME-fjärrkontrollen/systemstyrenheten. När dessa funktioner drivs med den trådlösa fjärrkontrollen som medföljer M-serien visas inte åtgärden på ME-fjärrkontrollens/systemstyrenhetens skärm.
  3. Funktioner som är tillgängliga på ME-fjärrkontrollen/systemstyrenheten men som inte är tillgängliga på M/P/S-serien kan användas om du byter till ett förinställt, separat driftsläge. (Se "Tabell över funktioner som aktiveras med ME-fjärrkontrollen/systemstyrenheten.")
  4. Funktioner som är tillgängliga på fjärrkontrollen i M/P/S-serien men som inte är tillgängliga på ME-fjärrkontrollen/systemstyrenheten gör att en förinställd skärm visas. I sådana fall kan den verkliga driftsfunktionen och skärmen vara olika. (Om fläkthastigheten ställs in automatiskt med fjärrkontrollen som medföljer M/P/S-serien visas inställningen "High" på ME-fjärrkontrollen/systemstyrenheten. Om fläktriktningen ställs in automatiskt visas inställningen "Downward Air Flow 80%" på ME-fjärrkontrollen/systemstyrenheten.)
  5. Eftersom M/S-seriens temperaturområde är större än ME-fjärrkontrollens/systemstyrenhetens, kommer temperaturskärmen på ME-fjärrkontrollen/systemstyrenheten att visa den minimala eller maximala temperatur som kan ställas in när M/S-serien är inställd på mindre än 17 °C eller över 30 °C. (Om rumsluftkonditioneringen t.ex. är inställd att kyla ned ett rum till 16 °C kan skärmen på ME-fjärrkontrollen/systemstyrenheten visa "17 °C".)  
M/S-serien drivs i enlighet med rumstemperaturen som enheten i M/S-serien avkänner.
  6. Timerfunktioner bör enbart ställas in med den fjärrkontroll som medföljer M/P/S-serien eller ME-fjärrkontrollen/systemstyrenheten. Timern fungerar inte som den ska om båda används för att ställa in timern på samma tid.
  7. När timern ställs in med fjärrkontrollen som medföljer M/P/S-serien kommer timerfunktionen inte att visas på ME-fjärrkontrollen/systemstyrenheten.
  8. Om timern ställs in med ME-fjärrkontrollen/systemstyrenheten kommer timern inte att avbrytas även om enheten stängs av med fjärrkontrollen som medföljer M/P/S-serien.
  9. När manuell drift med systemstyrenheten förhindras kommer fjärrkontrollen som medföljer M/P/S-serien inte att fungera, men det pipande ljudet som hörs när den drivs normalt kommer fortfarande att höras.
  10. Stäng kortvarigt av enheten med ME-fjärrkontrollen/systemstyrenheten eller fjärrkontrollen som medföljer M/P/S-serien om du vill radera ett felmeddelande från ME-fjärrkontrollen/systemstyrenheten. (Felmeddelandet på luftkonditioneringen kan raderas automatiskt men det raderas inte från ME-fjärrkontrollen/systemstyrenheten förrän enheten stängs av.)
  11. Rumstemperatursensorn som är installerad i ME-fjärrkontrollen kan inte användas.



## 8. Tabell över funktioner som aktiveras med ME-fjärrkontrollen/systemstyrenheten

Funktioner som styrs med den trådlösa fjärrkontrollen som medföljer M/P/S-serien.

[Symbol] ○: tillgänglig/△: Tillgänglig med begränsningar på skärmen/x: Ej tillgänglig/— : Ej tillgänglig (inga funktioner)

Funktioner *1		ME-fjärrkontroll	G-50A	BACnet/F	LM-AP
På/Av	Ström på (drift)	○	○	○	○
	Ström av (stopp)	○	○	○	○
Läge	Automatisk drift (drift)	○	○	○	○
	Manuell nedkylning (Cool)	○	○	○	○
	Manuell uppvärmning (Heat)	○	○	○	○
	Manuell torkning (Dry)	○	○	○	○
	Luftrenare (fläkt)	○	○	○	○
Fläkthastighet (MSZ, S, P)	Låg (1:a låg)	○	○	○	○
	Med. (2:a medel2) Med. (3:e medel2)	○	○	○	○
	Hög (3:e medel1) Hög (4:e hög)	○	○	○	○
	Superhög (4:e hög)	○	○	○	○
	AUTO	△ (hög)	△ (hög)	△ (hög)	△ (hög)
Fläkthastighet (MFZ)	Låg (1:a låg)	○	○	○	○
	Med. (2:a medel) Med. (2:a medel1)	○	○	○	○
	Hög (3:e medel) Med. (2:a medel2)	○	○	○	○
	Superhög (4:e hög)	○	○	○	○
	AUTO	△ (hög)	△ (hög)	△ (hög)	△ (hög)
Luftriktning	Position1 (horisontal)	○	○	○	—
	Position2 (undre flöde position2)	○	○	○	—
	Position3 (undre flöde position3)	○	○	○	—
	Position4 (vertikal)	○	○	○	—
	Position5 (vertikal)	○	○	○	—
	Oscillera	○	○	○	—
	AUTO	△ (undre flöde position3)	△ (undre flöde position3)	△ (undre flöde position3)	—
Inställd temperatur	16°C–31°C	○	○	○	○
Skärm	Timervisning	x	x	x	x
	Inloppstemp. (10–38°C) *2	△	△	○	○

\*1: Funktioner som inte är tillgängliga på M/P/S-serien (MAC-399IF) kan inte användas.  
Skärmen på M-NET-sidan visas i ( ).

\*2: Skärmen visas inte på den trådlösa fjärrkontrollen.

## 9. Specifikationer

Luftkonditionering	Inspänning	12 V $\overline{\text{---}}$
	Strömförbrukning	0,6 W
	Inström	0,05 A
M-NET	Inspänning	17–24 V $\overline{\text{---}}$

## İçindekiler

1. Güvenlik Talimatları .....	82
2. Montajdan Önce .....	83
3. M-NET Arabiriminin Montajı .....	84
4. Anahtarların Ayarlanması .....	85
5. M-NET Arabiriminin iç üniteye bağlanması .....	86
6. M-NET Arabiriminin, Güç Beslemesinin ve ME Uzaktan Kumandasının Bağlanması .....	87
7. Kullanımla İlgili Notlar .....	88
8. ME Uzaktan Kumanda/Sistem Kumandası ile Devreye Sokulan Fonksiyonlar Tablosu .....	89
9. Özellikler .....	89

## 1. Güvenlik Talimatları

- Bu cihazı kullanmadan önce tüm Güvenlik Talimatlarını okuyunuz.
- Bu kılavuzda önemli güvenlik bilgileri yer almaktadır. Tüm talimatlara uyduğunuzdan emin olun.
- Arabirimi monte ettikten sonra, bu Montaj Kılavuzunu kullanıcıya veriniz.  
Kullanıcılara oda kliması Montaj Kılavuzu ve Garantisini güvenli bir yerde saklamalarını söyleyiniz.



### Uyarı

(Yanlış kullanım yaralanma veya ölüm gibi sonuçlara yol açabilir.)

■ **Kullanıcılar Arabirimi kendileri monte etmemelidir.**

Arabirimin yanlış monte edilmesi yangın, elektrik çarpmasına, yere düşürülmesi ise hasara/su sızıntısına yol açabilir. Üniteyi satın aldığınız yetkili satıcıya ya da profesyonel bir teknisyene danışınız.

■ **Arabirim ekteki Montaj Talimatlarına uygun şekilde monte edilmelidir.**

Arabirimin yanlış monte edilmesi yangın, elektrik çarpmasına, yere düşürülmesi ise hasara/su sızıntısına yol açabilir.

■ **Ünite kendi ağırlığını taşıyacak bir yere monte edilmelidir.**

Ünitenin monte edildiği yer ünite ağırlığını taşıyamıyorsa, Arabirim yere düşebilir, bu da hasara yol açabilir.

■ **Elektrik elemanı kapağını Arabirim ünitesine sağlam bir şekilde takın.**

Arabirim ünitesinin elektrik elemanı kapağı sağlam bir şekilde takılmazsa, üniteye toz ve su girebilir, bu da yangın veya elektrik çarpmasına yol açabilir.

■ **Montajda Mitsubishi parçaları ya da diğer belirtilen parçalar kullanılmalıdır.**

Arabirimin yanlış monte edilmesi yangın, elektrik çarpmasına, yere düşürülmesi ise hasara/su sızıntısına yol açabilir.

■ **Elektrikle ilgili bir çalışma yaparken, elektrik ekipmanı ve dahili kablo standartları ile ilgili teknik standartlara bağlı kalın, Talimat Kılavuzunda belirtilen talimatları uygulayın ve bir adanmış devre kullandığınızdan emin olun.**

Devre kapasitesinin yetersiz olması veya montajın yanlış yapılması, yangına veya elektrik çarpmasına yol açabilir.

## 2. Montajdan Önce

### 2.1. M-NET Arabirimi Nasıl Kullanılır

#### ⚠ Dikkat

Ambalajlı klima cihazı (city-multi) sistemi uzaktan kumandasını kullanırken, ambalajlı klima cihazlarını ve oda klimalarını aynı gruba kaydedemezsiniz. Bu durumda, Ambalajlı klimaları ve oda klimalarını farklı gruplarda kaydedin.

#### ■ Fonksiyonlar

M-NET (\*) kullanılarak M/P/S serilerinin merkezi ve bireysel yönetimi.

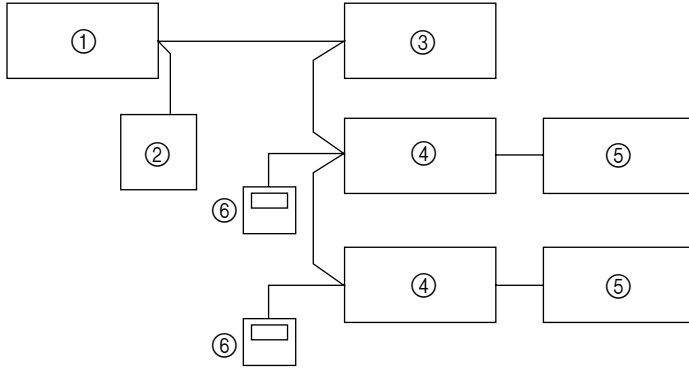
\* Bir tür paketli klima kumandası (city-multi)

#### ■ İlgili Ürünler Ayrıca Satılmaktadır

- ME Uzaktan Kumanda PAR-F27MEA
- Merkezi Kumanda G-50A
- Sistem Uzaktan Kumandası PAC-SF44SRA
- AÇMA/KAPAMA Uzaktan Kumandası PAC-YT40ANRA
- Program Zamanlayıcısı (M-NET) PAC-YT34STA
- Güç besleme ünitesi PAC-SC50KUA

#### ■ Örnek Sistem Yapılandırması (sadece M/S serisi dış ünite)

Bir sistemin merkezi kumanda kullanarak örnek yapılandırması



- 1 Merkezi kumanda (M-NET)
- 2 Güç besleme ünitesi
- 3 Paketli klima sistemi
- 4 M-NET Arabirimi
- 5 İç ünite
- 6 ME Uzaktan Kumandası

\* Merkezi kumandaya (G-50A) bağlanabilen ünite sayısı ambalajlı klimalar ve oda klimaları dahil olmak üzere maksimum 50'dir. M-NET Arabiriminden merkezi kumandaya giden kablunun maksimum uzunluğu 500 m olabilir. M-NET Arabiriminden ME Uzaktan Kumandasına giden kablunun maksimum uzunluğu ise 10 m olabilir. Merkezi Kumanda ve ME Uzaktan Kumandası hakkındaki ayrıntılar için, MELANS Kataloğuna ve kullanım kılavuzlarına bakınız.

### 2.2. Aksesuar

Cihazı monte etmeden önce, gerekli tüm parçaların mevcut olduğundan emin olun.

#### ■ Aksesuar

1	Arabirim ünitesi (5-çekirdekli bağlantı kablosu)	1
2	Montaj braketleri	1
3	Montaj için vidalar 3,5 x 12	4
4	Tamponlama malzemesi (yapışkan ile)	1
5	Montaj için kablo kelepçesi (küçük)	2
6	Montaj kablosu kelepçesi (büyük)	2
7	Montaj vidaları 5 ve 6 3,5 x 12	2
8	Montaj vidası 5 ve 6 4 x 10 * M serisine ve etrafına kablo kelepçesini monte ederken bunu kullanın.	1
9	Montaj vidası 5 ve 6 4 x 16 * Kablo kelepçesini M serisi parçalarıyla birlikte monte ederken bunu kullanın.	1
10	Kablo bağları	4
11	Sabitleyiciler (kurşun telleri birleştirmek için)	5
12	Kablo tesisatı için kablo kelepçesi	5
13	Montaj için vidalar 12 3,5 x 12	5
14	Arabirim muhafazası montaj vidaları 3,5 x 12	2

#### ■ Montaj Yerde Hazırlanacak Elemanlar

A	Bağlantı kablosu (merkezi kumanda) Koruyucu kablo CVVS/CPEVS
B	Bağlantı kablosu (ME Uzaktan Kumandasını bağlamak için) Uzaktan kumanda kabloları (2 merkezli muhafazalı kablo 0,3 mm <sup>2</sup> )
C	İlgili parçalar ayrıca satılmaktadır * Sisteminiz için gerekli ayrı satılan parçaları hazırlayın.

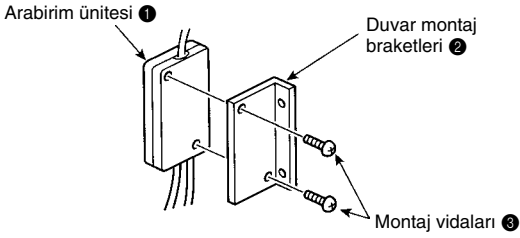
- \* CPEVS; PE izolasyonlu PVC kaplı koruyucu iletişim kablosu
- \* CVVS; PVC izolasyonlu PVC kaplı koruyucu kumanda kablosu
- PE: Polietilen PVC: Polivinil klorür

### 3. M-NET Arabiriminin Montajı

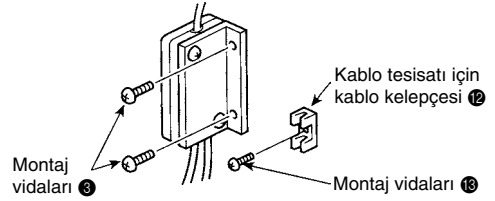
M-NET Arayüz birimi, arayüzden çıkan 5 telli bağlantı kablosunun, iç üniteye ulaşabileceği bir yere yerleştirilmelidir. 5 telli bağlantı kablosunu uzatmayın. Bu tür bir işlem, cihazın çalışmamasına neden olacaktır. Arabirim ünitesini, bir kolon veya duvara 2 veya daha çok vida kullanılarak sağlam bir şekilde monte edin.

#### ■ Duvar Montaj Braketlerini 2 Kullanırken

1 Duvar montaj braketlerini 2 2 montaj vidası 3 kullanarak arabirim ünitesine 1 takın.

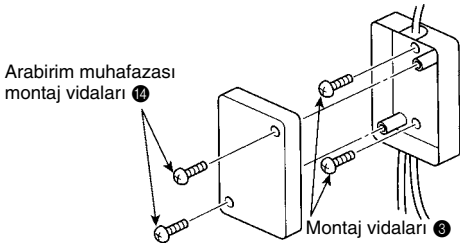


2 Üniteyi 2 montaj vidası 3 kullanarak bir kolona veya duvara monte edin.

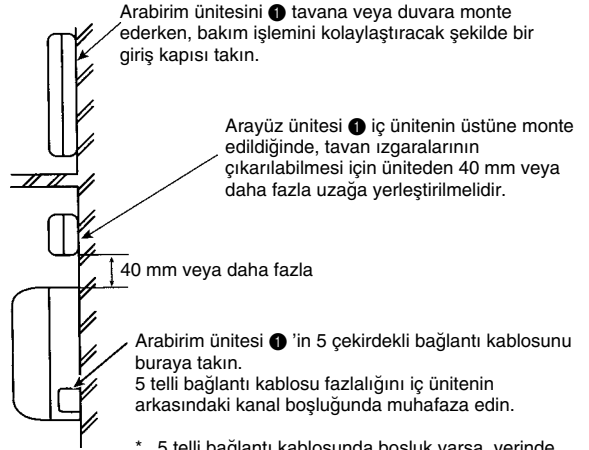
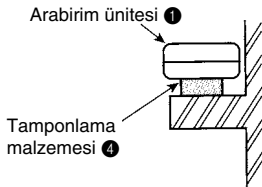


#### ■ Doğrudan Duvara Monte Ederken

Arabirim ünitesi 1 muhafazasını, montaj vidalarını kullanarak 3 duvara monte edin.



\* Arabirim ünitesini 1 bir tamponlama malzemesi 4 kullanarak monte ederken, üniteyi düşmeyeceği bir yere takın.



\* 5 telli bağlantı kablosunda boşluk varsa, yerinde tutmak için bir bağlayıcı 11 kullanın.

## 4. Anahtarların Ayarlanması

Sistem doğru şekilde yapılandırılmazsa, ünite gerektiği gibi çalışmayacaktır. İç ünitenin fonksiyonlarını Sistem Kumandası/ME Uzaktan Kumanda ile kontrol edemeyebilirsiniz veya iç üniteye mevcut olmayan fonksiyonlar Sistem Kumandası/ME Uzaktan Kumanda ekranında görülebilir. Bu nedenle, elektrik bağlantısını yapmadan önce sisteminizin gerektiği gibi yapılandırıldığından emin olmalısınız.

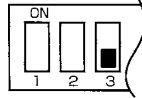
### ■ SW500 No. 1, No. 2 - Kullanımda değil

Bunlar KAPALI (OFF) konuma getirilmelidir (AÇIK (ON) konumda tutulursa, cihaz Sistem Kumandasıyla gerektiği gibi iletişim kuramayabilir).

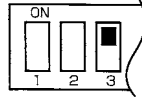
### ■ SW500 No. 3 - Açma/Kapama Ayarları

Bu ayar, iç üniteye ya da M-NET Arabirimine elektrik akımı geldiğinde kapanıp kapanmadığını belirtir.

**Elektrik beslemesi No konumdayken açma**  
[Elektrik bağlantısı açıldığında ünite kapalı kalır.]



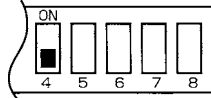
**Elektrik beslemesi Yes konumdayken açma**  
[Elektrik bağlantısı açıldığında ünite açık kalır.]



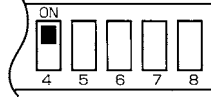
### ■ SW500 No. 4 - Arıtıcı ya da fan modunun kullanılabilirliği

Kablosuz uzaktan kumandada "Purifier" (Arıtıcı) düğmesi yoksa ve "Mode" düğmesine basıldığında "Fan" kelimesi görünmüyorsa, arıtıcı ve fan modları kullanılabilir değildir (OFF konumuna ayarlıdır).

**Arıtıcı veya fan modu yok**



**Arıtıcı veya fan modu var**



### ■ SW500 No. 5–No. 8 - M serisi Fonksiyon Kontrolü

SW500	Fonksiyon tanımı	Fonksiyon kontrolü nasıl yapılır	OFF	ON
No. 5	Otomatik çalıştırma modunun kullanılabilirliği (klimanın soğutma mı yoksa ısıtma mı yapacağını tespit eden bir mod).	Kablosuz uzaktan kumanda üzerindeki "Mode" düğmesine bastığınızda "Auto" ibaresi görüntülenmiyorsa, otomatik çalıştırma modu kullanılabilir değildir (OFF).	Otomatik çalıştırma modu yok	Otomatik çalıştırma modu var
No. 6	Fan salınım ayarının kullanılabilirliği	Kablosuz uzaktan kumanda üzerindeki "Fan Direction" (Fan Yönü) düğmesine bastığınızda "Oscillate" (Salınım) ibaresi görüntülenmiyorsa, fan salınım ayarı kullanılabilir değildir (OFF). ("Fan Direction" (Fan Yönü) düğmesi yoksa, ayar OFF.)	Fan salınım ayarı var	Fan salınım ayarı yok
No. 7	Fan yönü ayarının kullanılabilirliği	Kablosuz uzaktan kumandada "Fan Yönü" düğmesi varsa, fan yönü ayarı kullanılabilir durumdadır (OFF).	Fan yönü ayarı var	Fan yön ayarı yok
No. 8	Isıtma modunun kullanılabilirliği	Kablosuz uzaktan kumandada "Mode" (Mod) düğmesine bastığınızda "Heat" (Isıtma) ibaresi görünüyorsa, ünite hem soğutma hem de ısıtma yapan bir modeldir (OFF).	İkili soğutma ve ısıtma yapan model	Sadece soğutma yapan ünite

### ■ SW510, SW501 - Adres ayarları

Merkezi yönetim için adres ayarlarını belirtir (adres ayarları 01-50 arasında yapılabilir).

#### Otomatik Adres

10'lar konumu

1'ler konumu

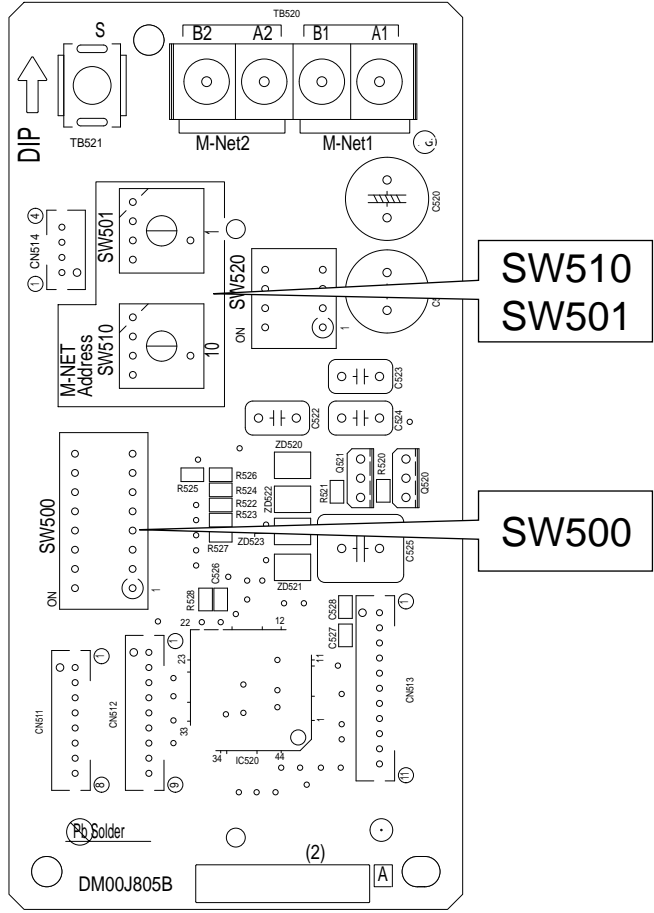
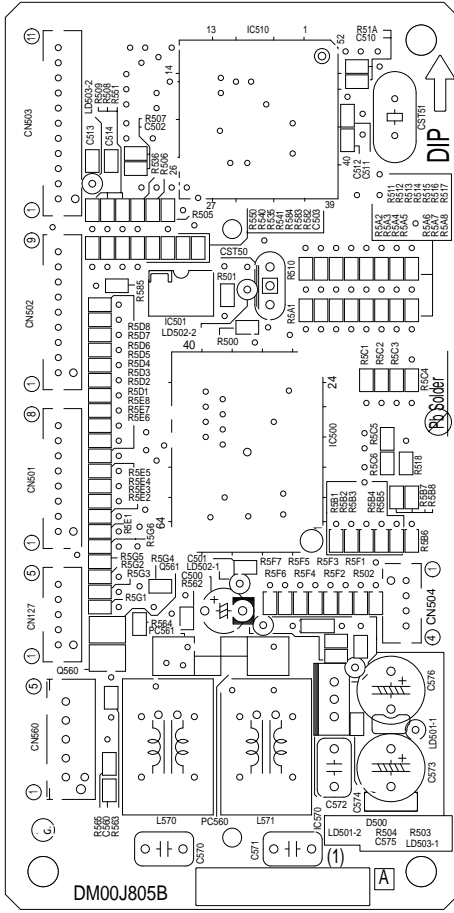


SW510

SW501

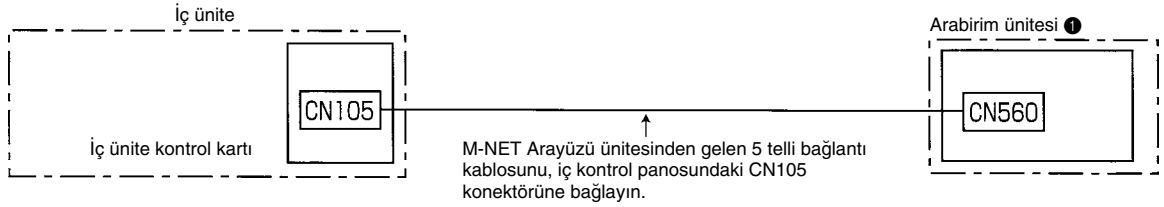
SW510 adresin 10'lar konumu ayarlar ve SW501 ise adresin 1'ler konumu ayarlar. Örneğin, üniteyi adres 25'e ayarlamak için, SW510'u "2"ye, SW501'i ise "5"e ayarlayın.

## ■ SW500, SW501, SW510'un konumu

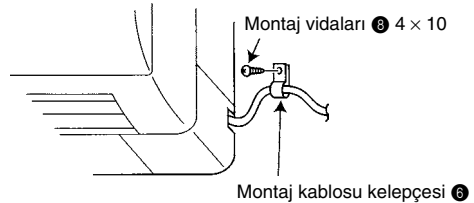
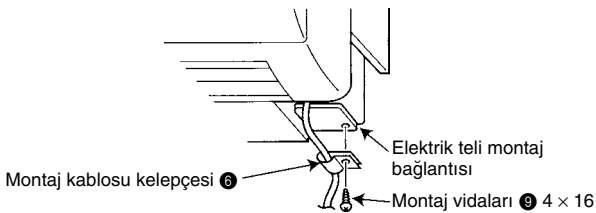


## 5. M-NET Arabiriminin iç üniteye bağlanması

M-NET Arabirimi kartını iç ünite kontrol kartına bağlayın.



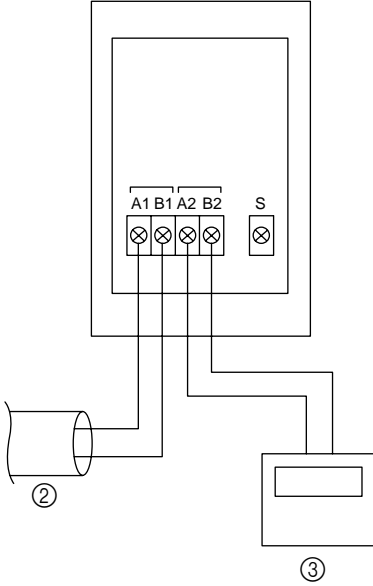
- İç üniteye bağlanan kablolar 5 telli bağlantı kabloları, iç ünitenin üzerine veya yanına monte edilmelidir. 5 telli bağlantı kablosu sağlam biçimde takılmazsa, konektör ayrılabilir, kırılabilir ya da çalışmayabilir.



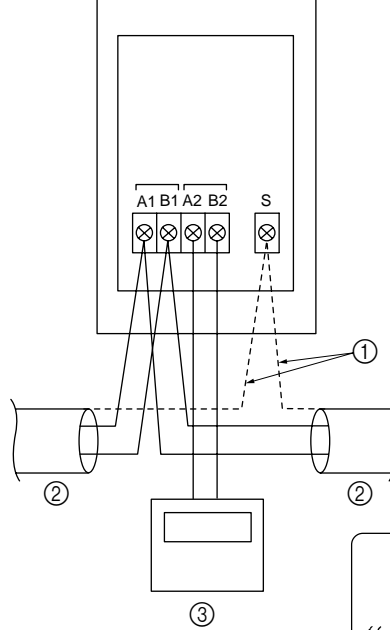
## 6. M-NET Arabiriminin, Güç Beslemesinin ve ME Uzaktan Kumandasının Bağlanması

- Üniteyi sistem kumandasına veya ME Uzaktan kumandaya bağlarken, M-NET iletim hattını kumanda sinyal terminaline bağlayın. 2 merkezli bağlantı burgularını A A1/B1 veya A2/B2'ye bağlayın (İkisine de bağlanabilir).
- S terminalini kullanarak her bağlantı kablosunun koruyucu bölümünü, sadece bağlantı kablolarını çapraz bağlarken geçirin.
- Bağlantı burgularını A ve ME Uzaktan Kumanda bağlantı burgularını S terminal kartına bağlarken, polarite konusunda kaygılanmanıza gerek yoktur.

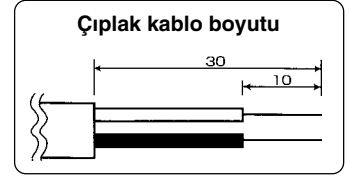
Bağlantı burguları A çapraz bağlanmadığında



Bağlantı burguları A çapraz bağlandığında

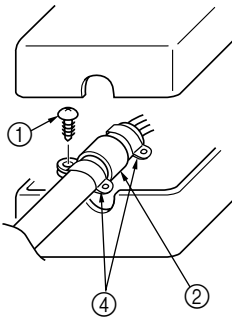


- 1 Koruyucu
- 2 Bağlantı burguları A (M-NET iletim kablosu)
- 3 ME Uzaktan Kumanda (sadece gerek olduğunda)



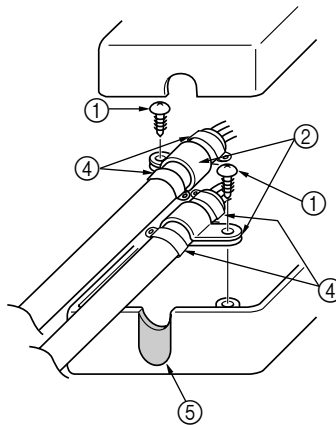
- Kablo işlemlerini tamamladıktan sonra kabloları kablo kelepçesi (büyük) ve kablo bağlarıyla sabitleyin.

Bağlantı burguları A çapraz bağlanmadığında



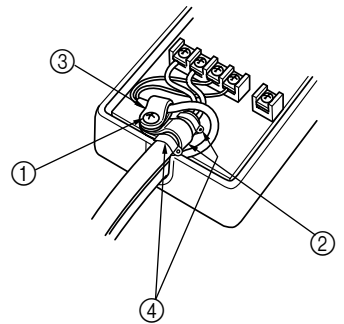
- 1 Vidalar
- 2 Kablo kelepçesi (büyük)
- 3 Kablo kelepçesi (küçük)

Bağlantı burguları A çapraz bağlandığında



- 4 Kablo bağları
- 5 Kıskaçla çentiklerinden kesin. Bağlantı kablosunun hasar görmemesi için kesim yüzeyinde pürüz olmamasına dikkat edin.

ME uzaktan kumanda kullanıldığında



### ⚠ Dikkat

- Elektrik işleri, Elektrik Ekipmanı ve Dahili Kablo Standartları ile ilgili Teknik Standartlara uygun olarak yapılmalıdır.
- Bağlantı kablosu ve uzaktan kumanda kablosu, mümkün olduğunca diğer elektrik kablolarından uzağa yerleştirilmelidir. Kablolar çok yakın yerleştirilirse, arıza meydana gelebilir.

## 7. Kullanımla İlgili Notlar

Test çalıştırması yapmadan önce bu bilgileri dikkatlice okuyunuz.

Aşağıdaki kontrol bilgileri bu cihazın kullanıcılarına kapsamlı şekilde verilmeli ve açıklanmalıdır. (Lütfen bu talimatları montaj işlemi tamamlandığında kullanıcıya veriniz.)

- \* Bu M-NET Arabirimi, M/P/S Serisini ambalajlı klimanın (city-multi) kumandalarını kullanarak çalıştırmaktadır, ancak M/P/S Serisi ile ambalajlı klimalar arasında işlevsel farklılıklar olması nedeniyle çeşitli sınırlamalara tabi tutulmuştur.
1. Sistemi bir sistem kumandası ya da ME Uzaktan Kumanda kullanarak çalıştırırken, yapılan işlemler kablosuz uzaktan kumandanın ekranında görünmeyecektir.
  2. Sadece M serisinde (örn. EKONOMİK SOĞUTMA (ECONO COOL)) mevcut olan fonksiyonlar ME Uzaktan Kumanda/Sistem Kumandası kullanarak çalıştırılmaz. Bu fonksiyonlar M serisiyle gelen kablosuz uzaktan kumanda kullanılarak çalıştırıldığında, işlem ME Uzaktan Kumanda/Sistem Kumandasının ekranında görünmeyecektir.
  3. ME Uzaktan Kumanda/Sistem Kumandasında mevcut ancak M/P/S serisinde mevcut olmayan fonksiyonlar, önceden belirlenen ayrı çalışma moduna geçilerek kullanılabilir. (Bkz. "ME Uzaktan Kumandası/Sistem Kumandası ile Devreye Sokulan Fonksiyonlar Tablosu.")
  4. M/P/S serisinin uzaktan kumandasında mevcut ancak ME Uzaktan Kumanda/Sistem Kumandasında mevcut olmayan fonksiyonlar önceden belirlenen ekranın görünmesine neden olur. Bu durumda, geçerli işlem ve ekran değişiklik gösterebilir. (Fan hızı, M/P/S serisi ile birlikte verilen uzaktan kumanda kullanılarak otomatik olarak ayarlanmışsa, ME Uzaktan Kumanda/Sistem Kumandası üzerinde "High" (Yüksek) ibaresi görünür. Aynı şekilde, fan yönü otomatik olarak ayarlanmışsa, ME Uzaktan Kumanda/Sistem Kumandası üzerinde "Downward Air Flow 80%" (Aşağı Hava Akımı %80) ibaresi görünür.)
  5. M/S serisinin ısısalanı ME Uzaktan Kumanda/Sistem Kumandasından daha geniş olduğundan, M/S serisi 17°C'den daha düşüğe veya 30°C'den daha yüksek bir değere ayarlandığında, ME Uzaktan Kumanda/Sistem Kumandası üzerindeki sıcaklık ekranı ayarlanabilen minimum veya maksimum sıcaklığı gösterecektir. (Örneğin, oda kliması odayı 16°C'de soğutmaya ayarlanırsa da, ME Uzaktan Kumanda/Sistem Kumandası üzerinde "17°C" değeri okunabilir.)  
M/S serisi, M/S serisi ünite tarafından tespit edilen oda sıcaklığına göre çalışır.
  6. Zamanlayıcı işlemleri sadece, M/P/S serisi veya ME Uzaktan Kumanda/Sistem Kumandası ile birlikte verilen uzaktan kumanda kullanılarak yapılmalıdır. Zamanlayıcıyı ayarlamak için her ikisi de kullanılırsa, zamanlayıcı gerektiği gibi çalışmaz.
  7. Zamanlayıcı M/P/S serisi ile birlikte verilen uzaktan kumanda kullanılarak ayarlandığında, zamanlayıcı bilgileri ME Uzaktan Kumanda/Sistem Kumandası üzerinde görünmez.
  8. Zamanlayıcı ME Uzaktan Kumanda/Sistem Kumandası kullanılarak ayarlanmışsa, ünite M/P/S Serisi ile birlikte verilen uzaktan kumanda kullanılarak kapatılsa da, bu cihazı kullanan zamanlayıcı ayarı iptal edilemez.
  9. Sistem kumandası kullanılarak yapılan manuel işlemler engellenmişse, M/P/S serisi ile birlikte verilen uzaktan kumanda çalışmaz, ancak normal şekilde çalışırken çıkan bip sesi duyulur.
  10. ME Uzaktan Kumanda/Sistem Kumandasının ekranında bulunan bir hata mesajını silmek için, M/P/S serisi ile birlikte verilen uzaktan kumandayı veya ME Uzaktan Kumanda/Sistem Kumandasını kullanarak üniteyi kapatın. (Klima ünitesi üzerindeki hata ekranı otomatik olarak da silinebilir, ancak ünite kapatılmadıkça ME Uzaktan Kumanda/Sistem Kumandasından silinmez.)
  11. ME Uzaktan Kumandasına monte edilen oda sıcaklık sensörü kullanılamaz.



## 8. ME Uzaktan Kumanda/Sistem Kumandası ile Devreye Sokulan Fonksiyonlar Tablosu

M/P/S serisi ile birlikte verilen kablosuz uzaktan kumanda ile çalıştırılabilen fonksiyonlar.

[Sembol] O: Mevcut/Δ: Ekranda sınırlamalarla mevcut/x: Mevcut değil/- : Uygulanamaz (fonksiyon yok)

Fonksiyonlar *1		ME uzaktan kumanda	G-50A	BACnet/F	LM-AP
Açma/ Kapatma	Güç Açık (Çalışma)	O	O	O	O
	Güç Kapalı (Durdur)	O	O	O	O
Mod	Otomatik çalışma (Çalışma)	O	O	O	O
	Manuel Soğutma (Soğutma)	O	O	O	O
	Manuel Isıtma (Isıtma)	O	O	O	O
	Manuel Kurutma (Kurutma)	O	O	O	O
	Hava arıtma (Fan)	O	O	O	O
Fan hızı (MSZ, S, P)	Düşük (Birinci: Düşük)	O	O	O	O
	Orta (İkinci: Orta2) Orta (Üçüncü: Orta 2)	O	O	O	O
	Yüksek (Üçüncü: Orta1) Yüksek (Dördüncü: Yüksek)	O	O	O	O
	Çok yüksek (Dördüncü: Yüksek)	O	O	O	O
	AUTO (OTOMATİK)	Δ (Yüksek)	Δ (Yüksek)	Δ (Yüksek)	Δ (Yüksek)
Fan hızı (MFZ)	Düşük (Birinci: Düşük)	O	O	O	O
	Orta (İkinci: Orta) Orta (İkinci: Orta1)	O	O	O	O
	Yüksek (Üçüncü: Orta) Orta (İkinci: Orta2)	O	O	O	O
	Çok yüksek (Dördüncü: Yüksek)	O	O	O	O
	AUTO (OTOMATİK)	Δ (Yüksek)	Δ (Yüksek)	Δ (Yüksek)	Δ (Yüksek)
Hava yönü	Konum1 (Yatay)	O	O	O	—
	Konum2 (Alttan akım Konum2)	O	O	O	—
	Konum3 (Alttan akım Konum3)	O	O	O	—
	Konum4 (Dikey)	O	O	O	—
	Konum5 (Dikey)	O	O	O	—
	Salınım	O	O	O	—
	AUTO (OTOMATİK)	Δ (Alttan akım Konum3)	Δ (Alttan akım Konum3)	Δ (Alttan akım Konum3)	—
Ayarlanan sıcaklık	16°C–31°C	O	O	O	O
Monitör	Zamanlayıcı ekranı	x	x	x	x
	Giriş sıcaklığı (10–38°C) *2	Δ	Δ	O	O

\*1: M/P/S serisinde mevcut olmayan fonksiyonlar (MAC-399IF) çalıştırılmaz.

M-NET tarafındaki gösterge ( ) içinde gösterilir.

\*2: Kablosuz uzaktan kumandada ekran görünmez.

## 9. Özellikler

Klima tarafı	Giriş voltajı	12 V $\overline{\text{---}}$
	Güç tüketimi	0,6 W
	Giriş akımı	0,05 A
M-NET tarafı	Giriş voltajı	17–24 V $\overline{\text{---}}$

## Оглавление

1. Инструкции по технике безопасности .....	90
2. Перед началом установки .....	91
3. Монтаж платы M-NET .....	92
4. Настройка переключателей .....	93
5. Подключение интерфейса M-NET к внутреннему прибору .....	94
6. Подключение платы M-NET, блока питания и пульта дистанционного управления ME .....	95
7. Указания по эксплуатации .....	96
8. Таблица функций, которые задействуются с пульта дистанционного управления ME/ системного контроллера .....	97
9. Характеристики .....	97

## 1. Инструкции по технике безопасности

- Перед началом работы с устройством ознакомьтесь со всеми инструкциями по технике безопасности.
- В нем приведена важная информация по безопасной эксплуатации. Строго следуйте всем изложенным указаниям.
- По завершении установки платы передайте эту инструкцию пользователю.  
Доведите до сведения пользователей, что инструкция по эксплуатации комнатных кондиционеров вместе с гарантийными талонами должна храниться в надежном месте.



### Предупреждение

(Неправильное обращение с устройством может иметь серьезные последствия, включая травматизм и летальный исход.)

■ **Пользователям запрещается монтировать плату самостоятельно.**

Неправильная установка платы в случае отказа может стать причиной пожара, поражения электрическим током, повреждений устройства/утечки воды. Обратитесь к продавцу, у которого было приобретено данное устройство, или специалисту по монтажу устройства.

■ **Установка платы должна проводиться строго в соответствии с прилагающимися инструкциями.**

Неправильная установка платы в случае отказа может стать причиной пожара, поражения электрическим током, повреждений устройства/утечки воды.

■ **Монтируйте устройство на надежных опорах.**

Монтаж устройства на слабых опорах может стать причиной его падения и вызвать повреждения.

■ **Крышка электрического отсека блока платы должна быть надежно закрыта.**

В противном случае попадание влаги и пыли внутрь может привести к пожару или поражению электрическим током.

■ **Для монтажа устройства используйте только компоненты Mitsubishi или других сертифицированных изготовителей.**

Неправильная установка платы в случае отказа может стать причиной пожара, поражения электрическим током, повреждений устройства/утечки воды.

■ **При выполнении электромонтажных работ соблюдайте требования технических нормативов по установке электрического оборудования в закрытых помещениях, а также следуйте указаниям, изложенным в данной инструкции. Устройство подключается только на выделенную электрическую линию.**

Несоответствие номинала электрической сети или неправильная установка может стать причиной пожара или поражения электрическим током.

## 2. Перед началом установки

### 2.1. Порядок работы с платой M-NET

#### ⚠ Осторожно

При работе с системным пультом дистанционного управления агрегатированного кондиционера (city-multi) запрещается одновременное подключение в группу агрегатированных и комнатных кондиционеров. В данном случае, агрегатированный и комнатный кондиционер необходимо подключать к разным группам.

#### ■ Функции

Централизованное и раздельное управление приборами серий M/P/S с помощью M-NET(\*).

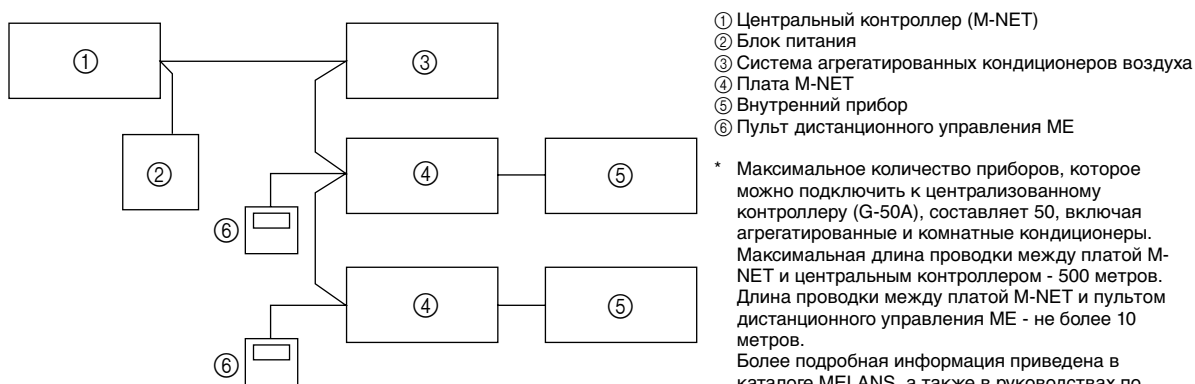
\* Тип блока управления агрегатированного кондиционера воздуха (city-multi)

#### ■ Прочие изделия, приобретаемые отдельно

- Пульт дистанционного управления ME PAR-F27MEA
- Центральный контроллер G-50A
- Системный пульт дистанционного управления PAC-SF44SRA
- Пульт дистанционного управления с кнопкой ON/OFF (ВКЛ./ВЫКЛ.) PAC-YT40ANRA
- Таймер запуска (M-NET) PAC-YT34STA
- Блок питания PAC-SC50KUA

#### ■ Пример конфигурации системы (только наружные приборы серий M/S)

Пример конфигурации системы, управляемой от центрального контроллера



- ① Центральный контроллер (M-NET)
- ② Блок питания
- ③ Система агрегатированных кондиционеров воздуха
- ④ Плата M-NET
- ⑤ Внутренний прибор
- ⑥ Пульт дистанционного управления ME

\* Максимальное количество приборов, которое можно подключить к централизованному контроллеру (G-50A), составляет 50, включая агрегатированные и комнатные кондиционеры. Максимальная длина проводки между платой M-NET и центральным контроллером - 500 метров. Длина проводки между платой M-NET и пультом дистанционного управления ME - не более 10 метров. Более подробная информация приведена в каталоге MELANS, а также в руководствах по эксплуатации центрального контроллера и пульта дистанционного управления ME.

### 2.2. Принадлежность

Перед началом установки устройства проверьте наличие всех деталей и узлов.

#### ■ Принадлежность

①	Блок интерфейсной платы (с помощью 5-жильного соединительного кабеля)	1
②	Монтажные кронштейны	1
③	Винты для монтажа ② 3,5 × 12	4
④	Амортизационный материал (с помощью клея)	1
⑤	Монтажная скоба кабеля (малая)	2
⑥	Монтажная скоба для кабеля (большая)	2
⑦	Винты для монтажа ⑤ и ⑥ 3,5 × 12	2
⑧	Винты для монтажа ⑤ и ⑥ 4 × 10 * Используйте ее, прикрепляя зажим провода к серии M и вокруг нее.	1
⑨	Винты для монтажа ⑤ и ⑥ 4 × 16 * Используйте ее, прикрепляя зажим провода вместе с частями серии M.	1
⑩	Кабельные стяжки	4
⑪	Зажимы (для соединения проволочных выводов)	5
⑫	Зажим для кабельной проводки	5
⑬	Винты для монтажа ⑫ 3,5 × 12	5
⑭	Монтажные винты корпуса блока платы 3,5 × 12	2

#### ■ Перед началом монтажа подготовьте следующие компоненты

А	Соединительные кабели (для центрального контроллера) Экранированный кабель CVVS/CPEVS
Б	Соединительный кабель (для подключения к пульту дистанционного управления ME) Кабели для пульта дистанционного управления (2-жильные, экранированные, 0,3 мм <sup>2</sup> )
С	Прочие изделия, приобретаемые отдельно * Подготовьте в достаточном количестве все приобретаемые отдельно компоненты, необходимые для системы.

\* Кабель связи CPEVS; с полиэтиленовой изоляцией, в поливинилхлоридной оплетке, экранированный

\* Кабель управления CVVS; с полиэтиленовой изоляцией, в поливинилхлоридной оплетке, экранированный  
PE: Полиэтилен PVC: Поливинилхлорид

### 3. Монтаж платы M-NET

При монтаже блока интерфейсной платы M-NET следует учитывать, что его 5-жильный соединительный кабель должен быть в пределах досягаемости внутреннего прибора.

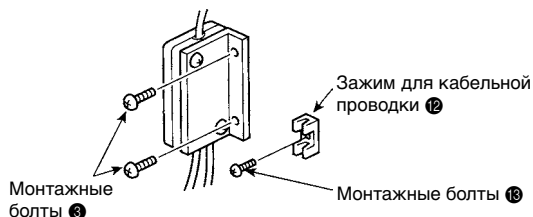
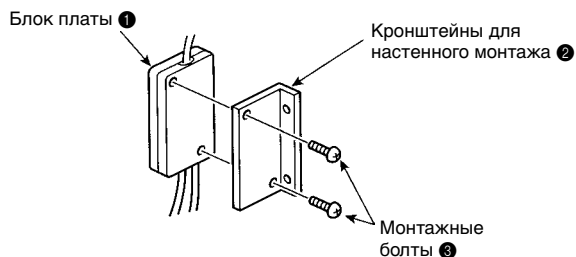
Не удлиняйте 5-жильный соединительный кабель. Это может привести к неправильной работе устройства.

Надежно закрепите блок платы на опоре или к стене на 2 или более болтах.

#### ■ Настенный монтаж на кронштейнах ②

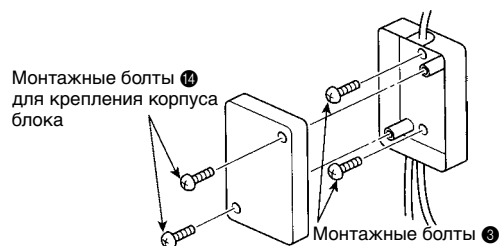
1 Закрепите кронштейны для настенного монтажа ② к блоку платы ① на 2 монтажных болтах ③.

2 Закрепите устройство на опоре или к стене на 2 монтажных болтах ③.



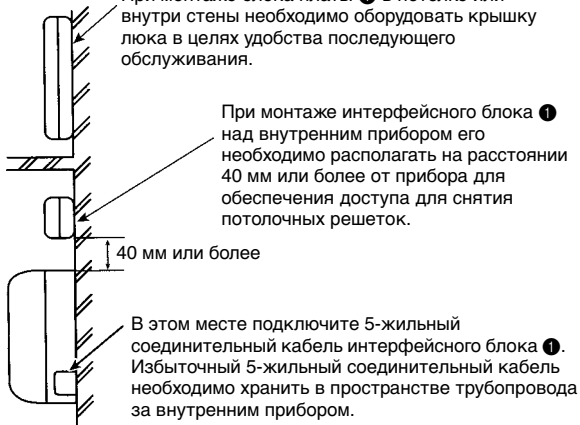
#### ■ Монтаж непосредственно на стену

Закрепите блок платы ① к стене с помощью монтажных болтов ③.

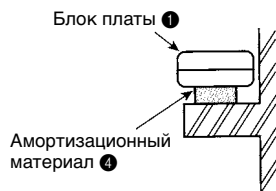


При монтаже блока платы ① в потолок или внутри стены необходимо оборудовать крышку люка в целях удобства последующего обслуживания.

При монтаже интерфейсного блока ① над внутренним прибором его необходимо располагать на расстоянии 40 мм или более от прибора для обеспечения доступа для снятия потолочных решеток.



\* Исключите возможность падения при монтаже блока платы ① с помощью амортизационного материала ④.



\* Закрепите провисающие участки 5-жильного соединительного кабеля зажимом ①.

## 4. Настройка переключателей

Нормальная работа системы зависит от правильной настройки устройства. Вероятно, Вы не сможете управлять функциями внутреннего прибора с системного контроллера/пульта дистанционного управления ME, или же на дисплее системного контроллера/пульта дистанционного управления ME могут отображаться недоступные функции внутреннего прибора. Перед подачей напряжения проверьте правильность настройки системы.

### ■ SW500 No. 1, No. 2 - Не используется

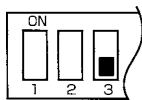
Эти переключатели следует перевести в положение OFF (ВЫКЛ.) (в положении ON (ВКЛ.) устройство не сможет нормально взаимодействовать с системным контроллером).

### ■ SW500 No. 3 - Параметры включения/выключения питания

Данная настройка указывает на то, следует ли включать или выключать внутренний прибор при подаче питания на него или на интерфейс M-NET.

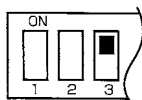
#### Включение без подачи напряжения.

[Устройство остается отключенным при подаче напряжения.]



#### Включение при подаче напряжения.

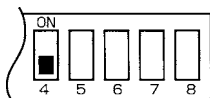
[Устройство остается включенным при подаче напряжения.]



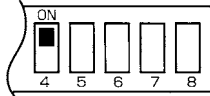
### ■ SW500 No. 4 – Наличие режима очистителя и вентилятора

Если на пульте дистанционного управления отсутствует кнопка "Purifier" ("Очиститель") и если при нажатии кнопки "Mode" ("Режим") на дисплее не высвечивается надпись "Fan" ("Вент."), то режимы очистителя и вентилятора недоступны (переведены в положение OFF (ВЫКЛ.)).

#### Режимы очистителя или вентилятора отсутствуют.



#### Предусмотрены режимы очистителя или вентилятора.



### ■ SW500 No. 5–No. 8 - Проверка функции серии M

SW500	Описание функции	Процедура проверки исправной работы функции	OFF	ON
No. 5	Наличие автоматического режима работы (т.е., кондиционер воздуха самостоятельно выбирает режим охлаждения или нагрева).	Если при нажатии кнопки "Mode" ("Режим") на пульте дистанционного управления надпись "Auto" ("Авто") не высвечивается, автоматический режим работы недоступен (OFF (ВЫКЛ.)).	Отсутствует режим автоматической работы	Предусмотрен режим автоматической работы
No. 6	Наличие параметра регулировки поворота вентилятора	Если при нажатии кнопки "Fan Direction" ("Напр. обдува") на пульте дистанционного управления высвечивается надпись "Oscillate" ("Поворот"), параметры регулировки поворота вентилятора доступны (OFF (ВЫКЛ.)). (Если нет кнопки "Fan Direction" ("Напр. обдува"), параметр OFF (ВЫКЛ.)).	Регулировка поворота вентилятора	Отсутствует регулировка поворота вентилятора
No. 7	Наличие параметра регулировки направления обдува вентилятора	Если на пульте дистанционного управления имеется кнопка "Напр. обдува", регулировка направления обдува вентилятора доступна (OFF (ВЫКЛ.)).	Регулировка направления обдува вентилятора	Предусмотрена регулировка направления обдува вентилятора
No. 8	Наличие режима нагрева	Если при нажатии кнопки "Mode" ("Режим") на пульте дистанционного управления высвечивается надпись "Heat" ("Нагрев"), в модели предусмотрен выбор режимов охлаждения и нагрева (OFF (ВЫКЛ.)).	Модель с режимами охлаждения и нагрева	Модель работает только на охлаждение

### ■ SW510, SW501 - Настройки адресов

Указывает параметры адресов центрального управления (в пределах от 01 до 50).

#### Собственный адрес

Значения, кратные 10      Значения, кратные 1



SW510

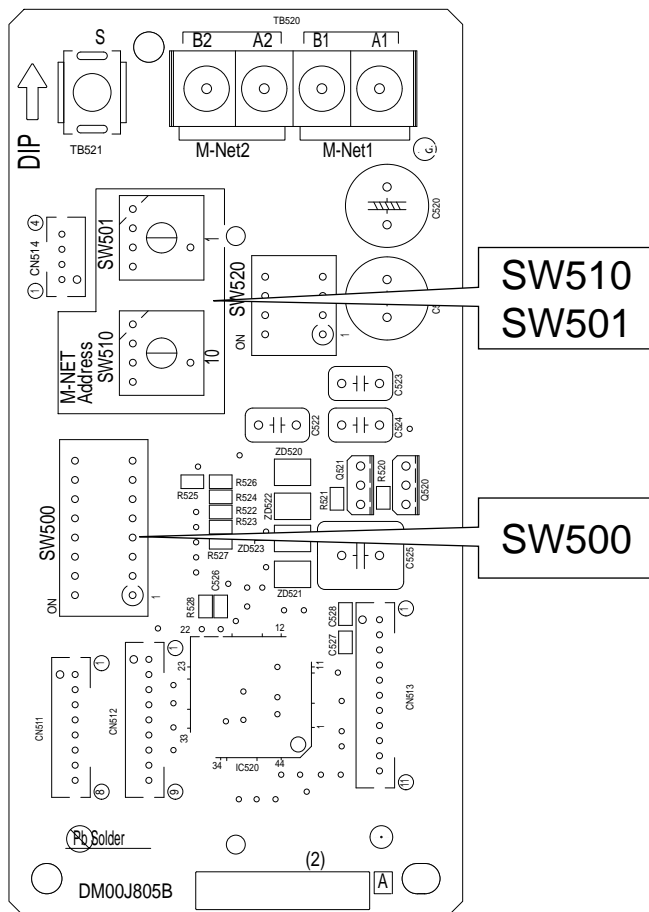
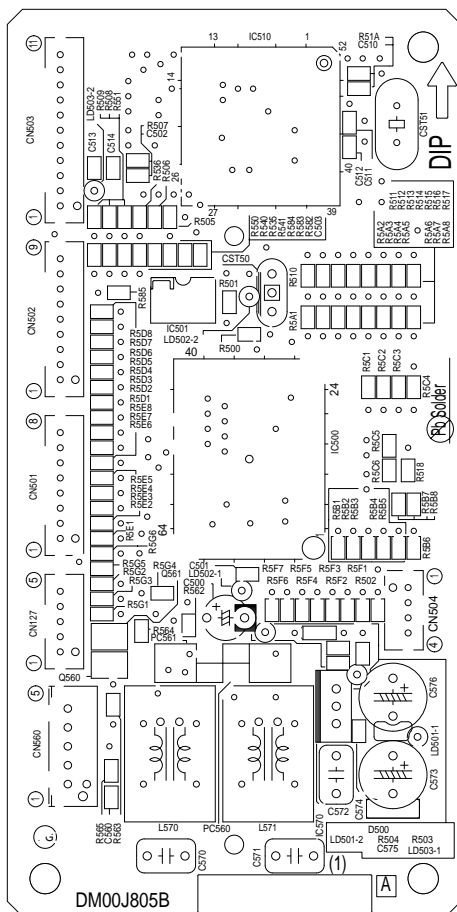


SW501

SW510 задает значения адресации в десятках, а SW501 - в единицах.

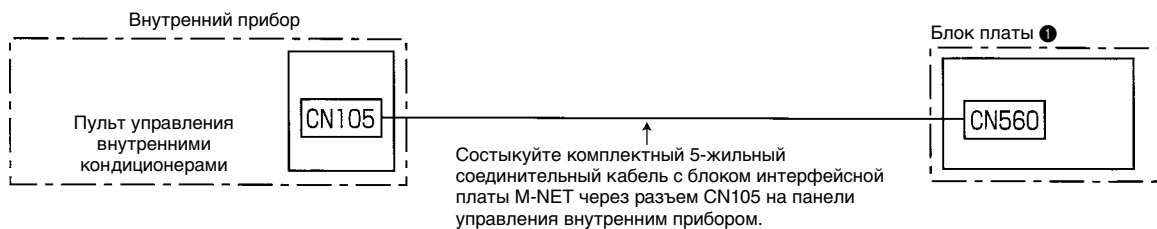
Например, чтобы настроить устройство на адрес 25, переведите SW510 в положение "2", а SW501 - в положение "5".

## ■ Положение переключателей SW500, SW501, SW510

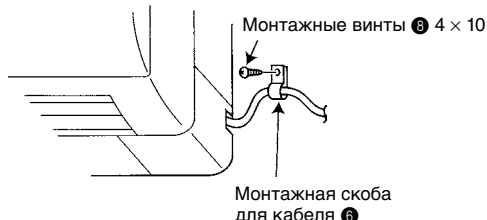
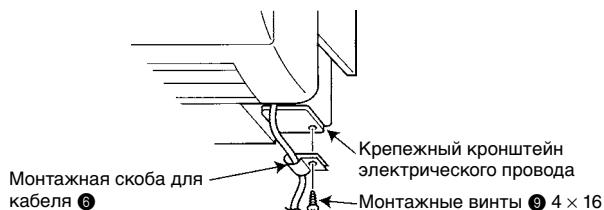


## 5. Подключение интерфейса M-NET к внутреннему прибору

Подключение интерфейсной платы M-NET к панели управления внутренним прибором.



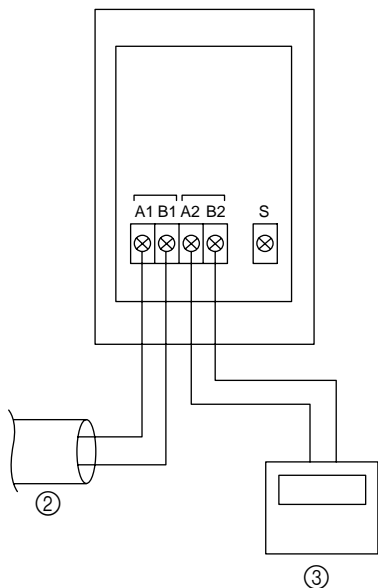
- 5-жильные соединительные кабели, подключенные к внутреннему прибору, необходимо устанавливать на внутреннем приборе или рядом с ним. Если не осуществить надежное крепление 5-жильного соединительного кабеля, разъем может отсоединиться, сломаться или работать неправильно.



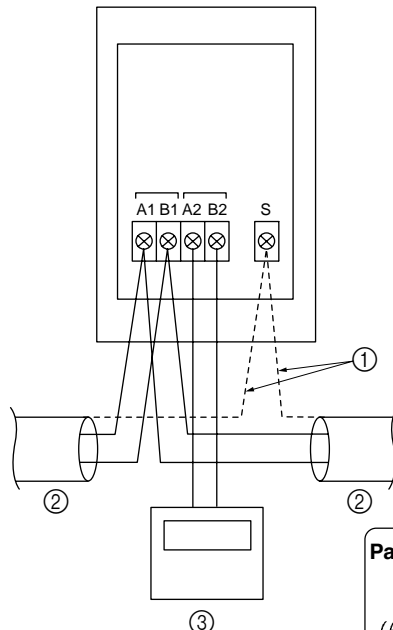
## 6. Подключение платы M-NET, блока питания и пульта дистанционного управления ME

- При подключении устройства к системному контроллеру или пульта дистанционного управления ME соедините линию передачи платы M-NET с клеммой управляющего сигнала. Подключите 2-жильные соединительные кабели **A** к клеммам A1/B1 или A2/B2 (возможно подключение к любой из клемм).
- Закроссируйте экран каждого соединительного кабеля к клемме S, если предусмотрено кроссирование соединительных кабелей.
- При подключении соединительных кабелей **A** и кабеля **B** пульта дистанционного управления ME к панели выводов соблюдение полярности не требуется.

Если кроссирование соединительных кабелей **A** не предусмотрено



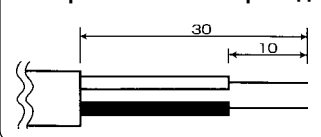
Если кроссирование соединительных кабелей **A** предусмотрено



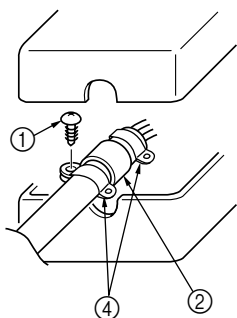
- 1 Экран
- 2 Соединительные кабели **A** (линия передачи на плате M-NET)
- 3 Пульт дистанционного управления ME (только при необходимости)

- По завершении проводки соединений закрепите провода зажимами (большими) и кабельными стяжками.

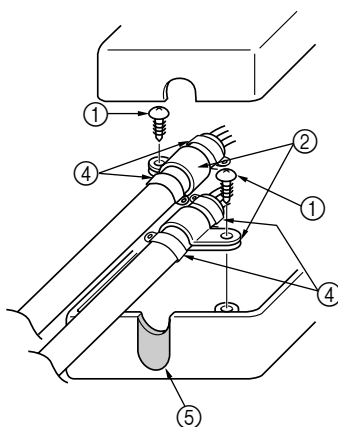
Размеры оголенного провода



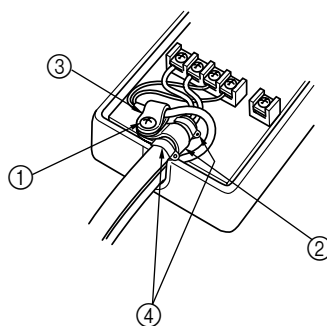
Если кроссирование соединительных кабелей **A** не предусмотрено



Если кроссирование соединительных кабелей **A** предусмотрено



При использовании пульта дистанционного управления ME



- 1 Винты
- 2 Монтажная скоба (большая)
- 3 Монтажная скоба (малая)

- 4 Кабельные стяжки
- 5 Срезать края кусачками. Убедитесь, что на стыке соединительных кабелей нет зазубрин.

**⚠ Осторожно**

- Монтаж электрических соединений должен проводиться в соответствии с техническими нормативами по установке электрического оборудования в закрытых помещениях.
- Соединительные кабели и кабели пульта дистанционного управления должны находиться на максимально возможном удалении от прочих электрических кабелей. Если расстояние между слишком малое, возможны неполадки в работе устройства.

## 7. Указания по эксплуатации

Перед началом пробного прогона внимательно прочтите нижеприведенную информацию.

Тщательно разъясните пользователям устройства все положения, касающиеся его управления. (По завершении установки передайте эти инструкции пользователям).

\* Интерфейс M-NET работает с приборами серии M/P/S с использованием средств управления агрегатированного кондиционера (city-multi), однако имеются некоторые ограничения из-за функциональных различий приборов серий M/P/S и агрегатированных кондиционеров.

1. При эксплуатации системы с использованием системного контроллера или пульта дистанционного управления ME, данные операции не будут отображаться на дисплее беспроводного пульта дистанционного управления.
2. Функции, доступные только для приборов серии M (например, ECONO COOL (ЭКОНОМИЧНОЕ ОХЛАЖДЕНИЕ)), невозможно использовать с пультом дистанционного управления ME/системным контроллером. При работе с данными функциями с использованием беспроводного пульта дистанционного управления, входящего в комплект поставки приборов серии M, индикация работы не будет отображаться на дисплее пульта дистанционного управления ME/системного контроллера.
3. Функции, доступные на пульте дистанционного управления ME/системном контроллере, но недоступные на приборах серий M/P/S, можно задействовать, переключившись в заранее определенный отдельный режим работы. (См. «Таблицу функций, которые задействуются с пульта дистанционного управления ME/системного контроллера»)
4. Для функций, доступных на пульте дистанционного управления серий M/P/S, но недоступных на пульте дистанционного управления ME/системном контроллере, будет выведен заранее определенный экран. В этом случае, фактический режим работы и то, что отображается на дисплее, могут отличаться. (Если скорость вентилятора автоматически задана с помощью пульта дистанционного управления, входящего в комплект поставки приборов серий M/P/S, настройка «High» (Высокая) будет отображена на пульте дистанционного управления ME/системном контроллере. Подобным образом, если направление обдува вентилятора задано как автоматический режим, настройка «Downward Air Flow 80%» (80% воздушного потока по направлению вниз) будет отображена на пульте дистанционного управления ME/системном контроллере.)
5. Поскольку диапазон температур приборов серий M/S больше диапазона пульта дистанционного управления ME/системного контроллера, при установке температуры для прибора серий M/S на значение ниже 17 °C или выше 30 °C, на дисплее температуры на пульте дистанционного управления ME/системном контроллере будет показана минимальная или максимальная температура, которую можно задать. (Например, даже если для кондиционера задан режим охлаждения помещения до 16 °C, на пульте дистанционного управления ME/системном контроллере может отображаться «17 °C»)  
Приборы серий M/S работают в соответствии с температурой в помещении, определенной прибором серий M/S.
6. Режимы таймера необходимо задавать только с помощью пульта дистанционного управления, входящего в комплект поставки приборов серий M/P/S, или пульта дистанционного управления ME/системного контроллера. При одновременном использовании обоих из них для установки таймера он не будет работать надлежащим образом.
7. Если таймер задан с помощью пульта дистанционного управления, входящего в комплект с приборами серий M/P/S, информация таймера не будет отображаться на пульте дистанционного управления ME/системном контроллере.
8. Если таймер установлен с помощью пульта дистанционного управления ME/системного контроллера, таймер, заданный с помощью данного устройства, невозможно отменить, даже если прибор выключен с помощью пульта дистанционного управления, входящего в комплект поставки приборов серий M/P/S.
9. Если ручные операции с помощью системного контроллера запрещены, пульт дистанционного управления, входящий в комплект поставки приборов серий M/P/S, не будет работать, однако звуковой сигнал нормальной работы будет по-прежнему звучать.
10. Для удаления сообщения об ошибке с дисплея пульта дистанционного управления ME/системного контроллера выключите прибор на непродолжительное время с помощью пульта дистанционного управления ME/системного контроллера или пульта дистанционного управления, входящего в комплект поставки приборов серий M/P/S. (Ошибки на дисплее кондиционера могут удаляться в автоматическом режиме, однако они не удалятся с пульта дистанционного управления ME/системного контроллера, пока прибор не будет выключен.)
11. Датчик температуры в помещении, установленный в пульте дистанционного управления ME, использовать невозможно.



## 8. Таблица функций, которые задействуются с пульта дистанционного управления ME/системного контроллера

Функции, которые задействуются с беспроводного пульта дистанционного управления, входящего в комплект поставки приборов серий M/P/S.

[Символ] ○: Доступно/△: Доступно с ограничениями, указанными на дисплее/×: Недоступно/—: Неприменимо (функции отсутствуют)

Функции *1		Пульт дистанционного управления ME	G-50A	BACnet/F	LM-AP
On/Off (Вкл./Выкл.)	Включение питания (работа)	○	○	○	○
	Выключение питания (останов)	○	○	○	○
Режим	Автоматическая работа (работа)	○	○	○	○
	Охлаждение в ручном режиме (охлаждение)	○	○	○	○
	Обогрев в ручном режиме (обогрев)	○	○	○	○
	Сушка в ручном режиме (сушка)	○	○	○	○
	Очистка воздуха (вентилятор)	○	○	○	○
Скорость вентилятора (MSZ, S, P)	Низкая (Первая: низкая)	○	○	○	○
	Средняя (Вторая: средняя 2) Средняя (Третья: средняя 2)	○	○	○	○
	Высокая (Третья: средняя 1) Высокая (Четвертая: высокая)	○	○	○	○
	Очень высокая (Четвертая : высокая)	○	○	○	○
	AUTO (АВТОМАТИЧЕСКИЙ РЕЖИМ)	△ (Высокая)	△ (Высокая)	△ (Высокая)	△ (Высокая)
	Скорость вентилятора (MFZ)	Низкая (Первая: низкая)	○	○	○
Скорость вентилятора (MFZ)	Средняя (Вторая: средняя) Средняя (Вторая: средняя 1)	○	○	○	○
	Высокая (Третья: средняя) Средняя (Вторая: средняя 2)	○	○	○	○
	Очень высокая (Четвертая : высокая)	○	○	○	○
	AUTO (АВТОМАТИЧЕСКИЙ РЕЖИМ)	△ (Высокая)	△ (Высокая)	△ (Высокая)	△ (Высокая)
	Направление воздушного потока	Положение 1 (по горизонтали)	○	○	○
Положение 2 (воздушный поток по полу, положение 2)		○	○	○	—
Положение 3 (воздушный поток по полу, положение 3)		○	○	○	—
Положение 4 (по вертикали)		○	○	○	—
Положение 5 (по вертикали)		○	○	○	—
Качание		○	○	○	—
AUTO (АВТОМАТИЧЕСКИЙ РЕЖИМ)		△ (воздушный поток по полу, положение 3)	△ (воздушный поток по полу, положение 3)	△ (воздушный поток по полу, положение 3)	—
Заданная температура	16°C–31°C	○	○	○	○
Экран	Дисплей таймера	×	×	×	×
	Температура на входе (10–38°C) *2	△	△	○	○

\*1: Невозможна работа функций, недоступных для приборов серий M/P/S (MAC-399IF).

Дисплей на стороне M-NET показан на ( ).

\*2: Дисплей не отображается беспроводном пульте дистанционного управления.

## 9. Характеристики

Кондиционер воздуха	Входное напряжение	12 V $\overline{\text{---}}$
	Потребляемая мощность	0,6 W
	Входной ток	0,05 A
M-NET	Входное напряжение	17–24 V $\overline{\text{---}}$

# 目录

1. 安全说明 .....	98
2. 安装之前 .....	99
3. 安装M-NET介面单元 .....	100
4. 设定开关 .....	101
5. 连接M-NET介面到室内机组 .....	102
6. 连接M-NET介面、电源和ME遥控器 .....	103
7. 使用注意事项 .....	104
8. 通过ME遥控器/系统控制器启动的功能表 .....	105
9. 规格 .....	105

## 1. 安全说明

- 在使用本设备之前，请阅读所有安全说明。
- 本手册包含重要的安全信息。请务必遵循所有说明进行操作。
- 安装介面后，请将本安装手册转交使用者。  
提醒使用者妥善保存他们的房间空调器使用手册和保修卡。

### 警告

(不当操作可能导致人员受伤或死亡等严重后果。)

- **使用者不应自行安装介面。**  
如果安装不当，介面单元跌落可能导致起火、触电或损坏/漏水。请您向购买设备的经销商或专业安装人员联络。
- **应按照随附的安装说明牢固地安装介面。**  
如果安装不当，介面单元跌落可能导致起火、触电或损坏/漏水。
- **本设备应安装在能承受其重量的位置。**  
如果将设备安装在无法承受其重量的位置，介面单元可能跌落并受损。
- **将电气零件盖牢固地安装到介面单元上。**  
如果介面单元的电气零件盖未安装牢固，则可能渗入灰尘或水并导致起火或触电。
- **必须安装三菱部件或其他指定部件。**  
如果安装不当，介面单元跌落可能导致起火、触电或损坏/漏水。
- **进行电气工作时，请遵循电子设备技术标准、内部接线标准以及使用手册中的说明，请务必使用专用电路。**  
电路能力不足或安装不当可能导致起火或触电。

## 2. 安装之前

### 2.1. 如何使用M-NET介面

#### ⚠ 注意

当使用组合式空调器（city-multi）的系统遥控器时，您不能将组合式空调器和房间空调器在同一组内进行注册。在此情况下，将组合式空调器和房间空调器在不同的组内进行注册。

#### ■ 功能

使用M-NET(\*)对M/P/S系列进行集中和单独的管理。

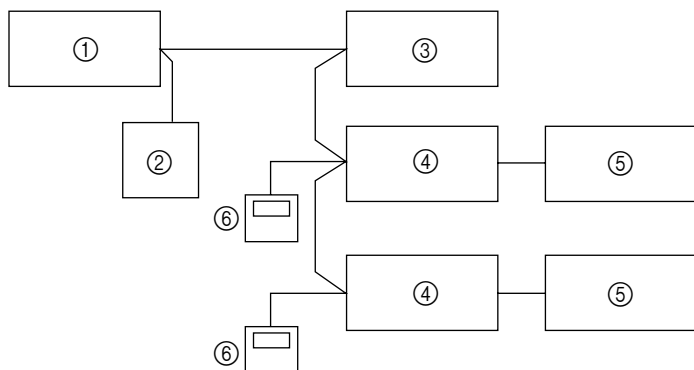
\* 一种组合式空调器控制类型（city-multi）

#### ■ 需另外购买的相关产品

- ME遥控器 PAR-F27MEA
- 中央控制器 G-50A
- 系统遥控器 PAC-SF44SRA
- 开/关遥控器 PAC-YT40ANRA
- 程序定时器 (M-NET) PAC-YT34STA
- 供电设备 PAC-SC50KUA

#### ■ 系统配置示例（仅限M/S系列室外机组）

使用中央控制器进行示例系统配置



- ① 中央控制器 (M-NET)
- ② 供电设备
- ③ 组合式空调系统
- ④ M-NET介面
- ⑤ 室内机组
- ⑥ ME遥控器

\* 能够连接到中央控制器 (G-50A) 的设备最大数量为50，其中包括组合式空调器和房间空调器。从M-NET介面到中央控制器的布线最大长度为500 m。从M-NET介面到ME遥控器的布线最大长度为10 m。详情请参见MELANS目录以及中央控制器和ME遥控器的使用手册。

### 2.2. 附件

在安装本设备之前，请确保所有必需部件都已齐全。

#### ■ 附件

①	介面单元（附带5芯连接电缆）	1
②	安装支架	1
③	安装螺丝 ② 3.5×12	4
④	衬垫材料（具黏性）	1
⑤	安装线夹（小）	2
⑥	安装线夹（大）	2
⑦	安装螺丝 ⑤ 和 ⑥ 3.5×12	2
⑧	安装螺丝 ⑤ 和 ⑥ 4×10 * 安装线夹到M系列以及M系列周围时使用本螺丝。	1
⑨	安装螺丝 ⑤ 和 ⑥ 4×16 * 与M系列部件一同安装线夹时使用本螺丝。	1
⑩	电缆捆扎带	4
⑪	紧固件（用于连接导线）	5
⑫	接线线夹	5
⑬	安装螺丝 ⑫ 3.5×12	5
⑭	介面盒安装螺丝 3.5×12	2

#### ■ 安装位置所需物品

A	连接线（中央控制器） 屏蔽线CVVS/CPEVS
B	连接线（用于连接ME遥控器） 遥控线（2芯铠装线0.3 mm <sup>2</sup> ）
C	需另外购买的相关部件 * 根据您系统的需求数量准备需另外购买的部件。

\* CPEVS: PE绝缘PVC外层屏蔽通信电缆

\* CVVS: PVC绝缘PVC外层屏蔽控制电缆

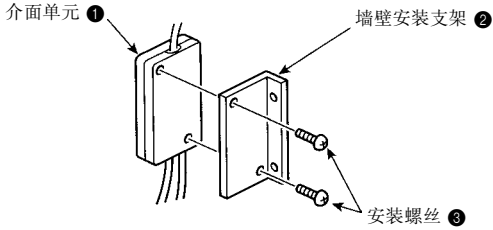
PE: 聚乙烯 PVC: 聚氯乙烯

### 3. 安装M-NET介面单元

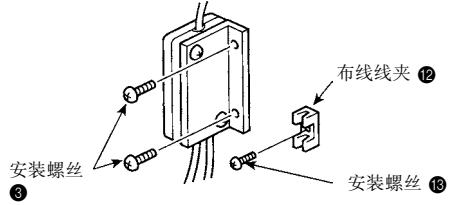
M-NET介面单元应该放置于介面引出的5芯连接电缆可以接到室内机的位置上。  
请勿延长5芯连接电缆。这会导致设备发生故障。  
使用2个或更多螺丝将介面单元安全地安装在柱子或墙壁上。

#### ■ 当使用墙壁安装支架时 ②

1 使用2个安装螺丝 ③ 让墙壁安装支架 ② 紧贴介面单元 ①。

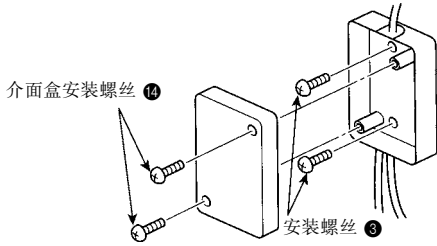


2 使用2个安装螺丝 ③ 将单元安装到柱子或墙壁上。

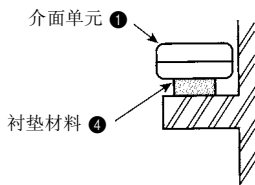


#### ■ 当直接安装到墙壁上时

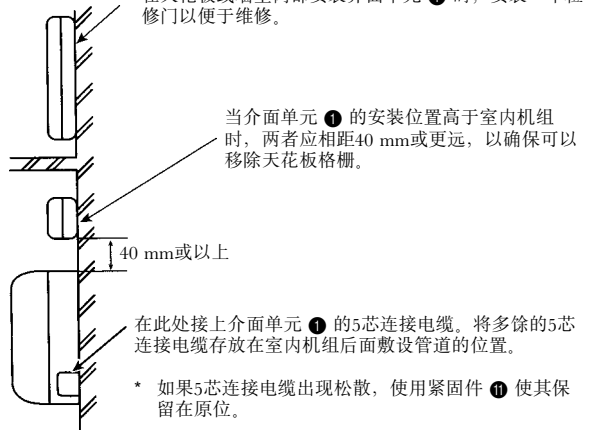
使用安装螺丝 ③ 将介面单元 ① 盒安装到墙壁上。



\* 当使用衬垫材料 ④ 安装介面单元 ① 时，确保安装在不会跌落的位置上。



在天花板或墙壁内部安装介面单元 ① 时，安装一个检修门以便于维修。



当介面单元 ① 的安装位置高于室内机组时，两者应相距40 mm或更远，以确保可以移除天花板格栅。

在此处接上介面单元 ① 的5芯连接电缆。将多馀的5芯连接电缆存放在室内机组后面敷设管道的位置。

\* 如果5芯连接电缆出现松散，使用紧固件 ⑪ 使其保留在原位。

## 4. 设定开关

如果系统没有正确配置，单元将不会正常操作。您可能无法通过系统控制器/ME遥控器来控制室内机组功能，或者在系统控制器/ME遥控器显示上出现室内机组不提供的功能。因此，接通电源前应确定已正确配置系统。

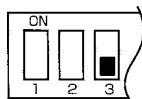
### ■ SW500 1号, 2号 — 不能使用

这些应设定为关（如果设定为开，设备将无法与系统控制器正常通讯。）

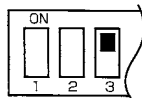
### ■ SW500 3号 — 电源开/关设定

本设定表示当向室内机组或M-NET介面供电时应关闭或开启室内机组。

供电时启动 否  
[供电时单元不启动。]



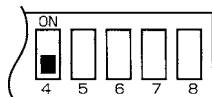
供电时启动 是  
[供电时单元启动。]



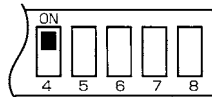
### ■ SW500 4号 — 净化器或送风模式的可用性

如果无线遥控器上没有“净化器”按钮，并且如果在按下“模式”按钮时“送风”字样没有出现，则表示净化器和送风模式无法使用（设定为关）。

没有净化器或送风模式



有净化器或送风模式



### ■ SW500 5号-8号 — M系列功能检查

SW500	功能描述	如何检查功能	关	开
5号	自动运转模式（此模式允许空调器决定是否选择制冷或制热）的可用性。	如果你按下无线遥控器上的“模式”按钮时“自动”未显示，则无法使用自动运转模式（关）。	没有自动运转模式	有自动运转模式
6号	送风摆动设定的可用性	如果你按下无线遥控器上的“送风方向”按钮时“摆动运转”显示，则可使用送风摆动设定（关）。（如果没有“送风方向”按钮，则设定为关。）	有送风摆动设定	没有送风摆动设定
7号	送风方向设定的可用性	如果无线遥控器上有“送风方向”按钮，则可使用送风方向设定（关）。	有送风方向设定	没有送风方向设定
8号	制热模式的可用性	如果你按下无线遥控器上的“模式”按钮时“制热”显示，则该型号机组可同时提供制冷和制热模式（关）。	制冷和制热双重模式	只有制冷单元

### ■ SW510, SW501 - 地址设定

指定集中管理的地址设定（地址设定范围在01到50之间）。

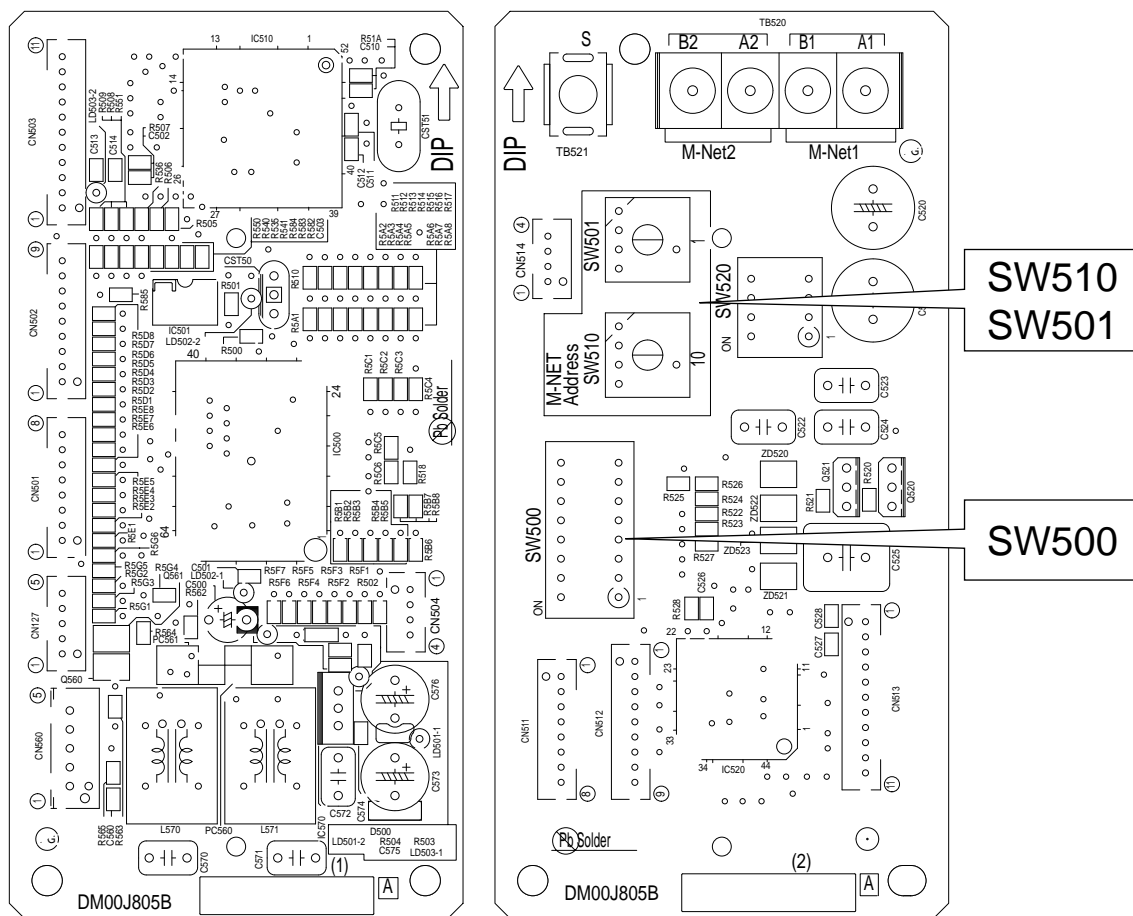
#### 自动地址

十位数位置 个位数位置



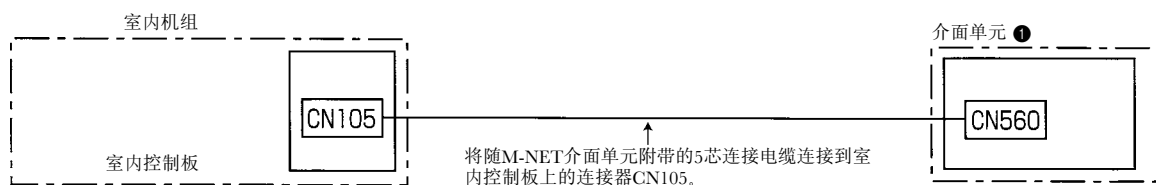
SW510设定地址的十位数数位，SW501设定地址的个位数数位。例如：要把单元设定为地址25，则设定SW510为“2”，设定SW501为“5”。

## ■ SW500、SW501、SW510的位置

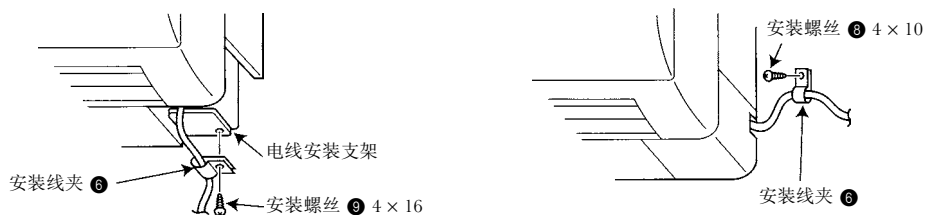


## 5. 连接M-NET介面到室内机组

连接M-NET介面板到室内控制板上。



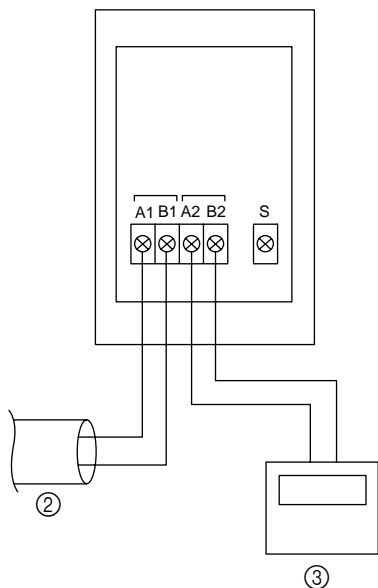
- 应该将连接室内机组的5芯连接电缆安装到室内机组上或室机组旁边。如果没有安全地安装5芯连接电缆，连接器可能会断开、中断或出现故障。



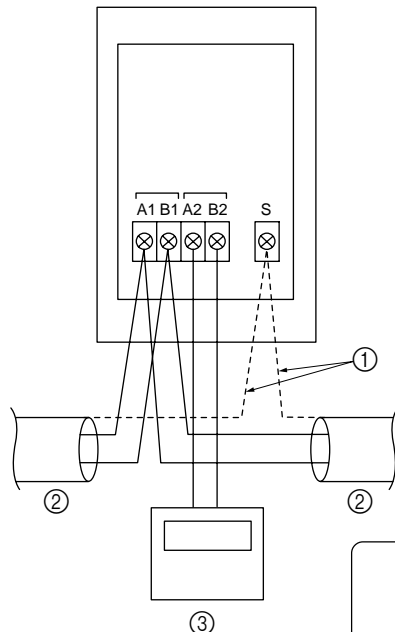
## 6. 连接M-NET介面、电源和ME遥控器

- 将单元连接到系统控制器或ME遥控器时，将M-NET的传输线连接到控制信号端子。  
将2芯连接绞线 **A** 连接到A1/B1或A2/B2（可以连接到任何一个）。
- 只有当交叉连接接线的时候，使用S端子来交叉连接每一根连接线的屏蔽部分。
- 将连接绞线 **A** 和ME遥控器连接绞线 **B** 连接到端子板上，无需考虑极性。

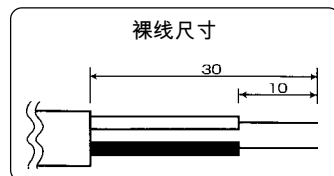
当连接绞线 **A** 未交叉连接时



当连接绞线 **A** 已交叉连接时

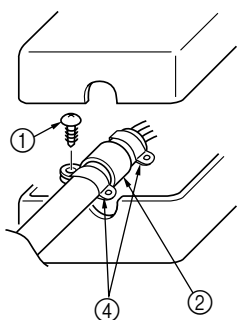


- ① 屏蔽
- ② 连接绞线 **A** (M-NET传输线)
- ③ ME遥控器  
(只在有需要时使用)

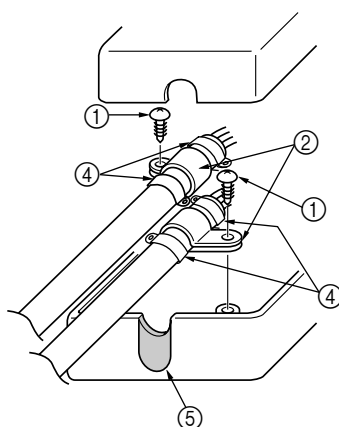


- 完成布线后，利用电线带（大）及电缆捆扎带固定电线。

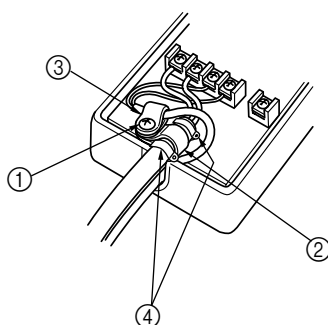
当连接绞线 **A** 未交叉连接时



当连接绞线 **A** 已交叉连接时



当使用ME遥控器时



- ① 螺丝
- ② 线夹（大）
- ③ 线夹（小）

- ④ 电缆捆扎带
- ⑤ 在凹槽处用剪线钳切割。  
确保切面没有毛刺以便连接线不会受损。

### ⚠ 注意

- 电气工作应根据电子设备技术标准和内部接线标准来执行。
- 连接线和遥控线应当尽可能远离其他电线。这些电线过于接近可能导致故障。

## 7. 使用注意事项

在尝试运转之前，请仔细阅读这些资讯。

下述的控制资料应当仔细解释并提供给本设备的使用者。（一旦安装完成，请向使用者提供这些说明。）

- \* 本M-NET介面使用组合式空调器（city-multi）的控制来操作M/P/S系列，但是由于M/P/S系列和组合式空调器功能上的差异，存在一些限制。
  1. 使用系统控制器或ME遥控器操作系统时，这些操作将不会在无线遥控器上显示。
  2. 仅能在M系列使用的功能（例如ECONO COOL（省电冷却）），无法利用ME遥控器/系统控制器操作。当使用随M系列附带的无线遥控器操作这些功能时，在ME遥控器/系统控制器显示上不会有操作显示。
  3. 通过切换到预设的单独运转模式，可操作ME遥控器/系统控制器所具备但M/P/S系列不具备的功能。（参见“通过ME遥控器/系统控制器启动的功能表”。）
  4. M/P/S系列遥控器具备但ME遥控器/系统控制器不具备的功能将会产生一个预设的显示，在这种情况下，实际的操作和显示可能会有出入。（如果使用随M/P/S系列附带的遥控器自动设置风速，ME遥控器/系统控制器上就会显示“强”档。同样的，如果送风方向设定为自动，ME遥控器/系统控制器上就会显示“向下送风80%”。）
  5. 因为M/S系列的温度范围比ME遥控器/系统控制器的更宽，如果M/S系列设定为低于17℃或高于30℃时，ME遥控器/系统控制器就会显示可以设定的最小或最大温度值。（例如：尽管房间空调器设置将房间制冷到16℃，在ME遥控器/系统控制器上也许会读到“17℃”。）  
M/S系列根据M/S系列单元检测到的室温来进行操作。
  6. 只有使用随M/P/S系列附带的遥控器或ME遥控器/系统控制器才能设置定时运转。如果同时使用两种遥控器将定时器设定为同一时间，定时器将不能正常操作。
  7. 如果使用随M/P/S系列附带的遥控器设置定时器，则定时器信息不会显示在ME遥控器/系统控制器上。
  8. 如果使用ME遥控器/系统控制器设置定时器，尽管使用随M/P/S系列附带的遥控器将单元关闭，使用该设备设置的定时器也不会取消。
  9. 当禁止使用系统控制器手动操作时，随M/P/S系列附带的遥控器将不能操作，但仍然会发出表示运转正常的蜂鸣声。
  10. 要清除ME遥控器/系统控制器上显示的错误讯息，只需要使用ME遥控器/系统控制器或随M/P/S系列附带的遥控器关闭单元。（显示在空调器上的错误信息会自动清除，但是只有关闭单元才能清除ME遥控器/系统控制器上的显示。）
  11. 无法使用安装在ME遥控器内的室温传感器。



## 8. 通过ME遥控器/系统控制器启动的功能表

通过随M/P/S系列附带的无线遥控器操作的功能。

[符号] ○: 可用/△: 可用, 在显示上有限制/×: 不可用/-: 不适用 (没有功能)

功能 *1		ME 遥控器	G-50A	BACnet/F	LM-AP
开/关	电源开启 (操作)	○	○	○	○
	电源关闭 (停止)	○	○	○	○
模式	自动操作 (操作)	○	○	○	○
	手动制冷 (制冷)	○	○	○	○
	手动制热 (制热)	○	○	○	○
	手动乾燥 (乾燥)	○	○	○	○
	空气净化 (风扇)	○	○	○	○
风速 (MSZ, S, P)	低 (第一: 低)	○	○	○	○
	中 (第二: 中2)	○	○	○	○
	中 (第三: 中2)				
	高 (第三: 中1)	○	○	○	○
	高 (第四: 高)	○	○	○	○
	超高 (第四: 高)	○	○	○	○
	自动	△ (高)	△ (高)	△ (高)	△ (高)
风速 (MFZ)	低 (第一: 低)	○	○	○	○
	中 (第二: 中)	○	○	○	○
	中 (第二: 中1)				
	高 (第三: 中)	○	○	○	○
	中 (第二: 中2)				
	超高 (第四: 高)	○	○	○	○
	自动	△ (高)	△ (高)	△ (高)	△ (高)
送风方向	位置1 (水平)	○	○	○	—
	位置2 (底下流动位置2)	○	○	○	—
	位置3 (底下流动位置3)	○	○	○	—
	位置4 (垂直)	○	○	○	—
	位置5 (垂直)	○	○	○	—
	旋转	○	○	○	—
	自动	△ (底下流动位置3)	△ (底下流动位置3)	△ (底下流动位置3)	—
设定温度	16℃-31℃	○	○	○	○
监察器	时间显示	×	×	×	×
	进气口温度(10-38℃)*2	△	△	○	○

\*1: 无法操作在M/P/S系列 (MAC-399IF) 上不能使用的功能。

( ) 中的内容表示M-NET侧面的显示。

\*2: 该显示不会在无线遥控器上出现。

## 9. 规格

空调器侧面	输入电压	12 V $\overline{\text{---}}$
	功率消耗	0.6 W
	输入电流	0.05 A
M-NET侧面	输入电压	17-24 V $\overline{\text{---}}$

# 目錄

1. 安全說明 .....	106
2. 安裝之前 .....	107
3. 安裝M-NET介面單元 .....	108
4. 設定開關 .....	109
5. 連接M-NET介面到室內機組 .....	110
6. 連接M-NET介面、電源和ME遙控器 .....	111
7. 使用注意事項 .....	112
8. 通過ME遙控器/系統控制器啟動的功能表 .....	113
9. 規格 .....	113

## 1. 安全說明

- 在使用本設備之前，請閱讀所有安全說明。
- 本手冊包含重要的安全資訊。請務必遵循所有說明進行操作。
- 安裝介面後，請將本安裝手冊轉交使用者。  
提醒使用者妥善保存他們的房間空調器使用手冊和保修卡。

### 警告

(不當操作可能導致人員受傷或死亡等嚴重後果。)

- 使用者不應自行安裝介面。  
如果安裝不當，介面單元跌落可能導致起火、觸電或損壞/漏水。請向您購買設備的經銷商或專業安裝人員聯絡。
- 應按照隨附的安裝說明穩固地安裝介面。  
如果安裝不當，介面單元跌落可能導致起火、觸電或損壞/漏水。
- 本設備應安裝在能承受其重量的位置。  
如果將設備安裝在無法承受其重量的位置，介面單元可能跌落並受損。
- 將電氣零件蓋穩固地安裝到介面單元上。  
如果介面單元的電氣零件蓋未安裝牢固，則可能滲入灰塵或水並導致起火或觸電。
- 必須安裝三菱部件或其他指定部件。  
如果安裝不當，介面單元跌落可能導致起火、觸電或損壞/漏水。
- 進行電氣工作時，請遵循電子設備技術標準、內部接線標準以及使用手冊中的說明，請務必使用專用電路。  
電路能力不足或安裝不當可能導致起火或觸電。

## 2. 安裝之前

### 2.1. 如何使用M-NET介面

#### ⚠ 注意

當使用組合式空調器（city-multi）的系統遙控器時，您不能將組合式空調器和房間空調器在同一組內進行註冊。在此情況下，將組合式和房間空調器在不同的組內進行註冊。

#### ■ 功能

使用M-NET(\*)對M/P/S系列進行集中和單獨的管理。

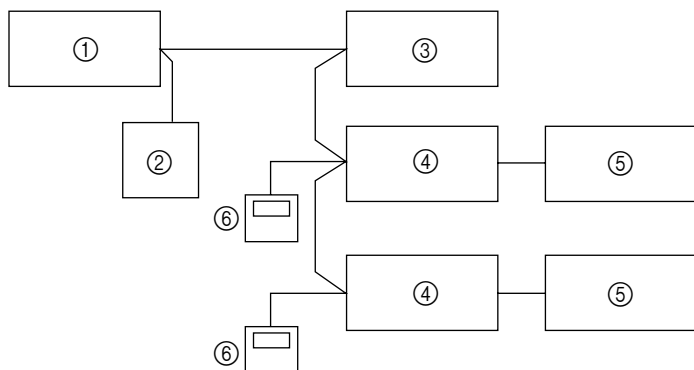
\* 一種組合式空調器控制類型（city-multi）

#### ■ 需另外購買的相關產品

- ME遙控器 PAR-F27MEA
- 中央控制器 G-50A
- 系統遙控器 PAC-SF44SRA
- 開/關遙控器 PAC-YT40ANRA
- 程序定時器 (M-NET) PAC-YT34STA
- 供電設備 PAC-SC50KUA

#### ■ 系統配置示例（僅限M/S系列室外機組）

使用中央控制器進行示例系統配置



- ① 中央控制器 (M-NET)
- ② 供電設備
- ③ 組合式空調系統
- ④ M-NET介面
- ⑤ 室內機組
- ⑥ ME遙控器

\* 能夠連接到中央控制器 (G-50A) 的設備的最大數量為 50，其中包括組合式空調器和房間空調器。從M-NET介面到中央控制器的接線最大長度為500 m。從M-NET介面到ME遙控器的接線最大長度為10 m。詳情請參考MELANS目錄以及中央控制器和ME遙控器的使用手冊。

### 2.2. 附件

在安裝本設備之前，請確保所有必需部件都已齊全。

#### ■ 附件

①	介面單元（附帶5芯連接電線）	1
②	安裝支架	1
③	安裝螺絲 ② 3.5×12	4
④	襯墊材料（具黏性）	1
⑤	安裝線夾（小）	2
⑥	安裝線夾（大）	2
⑦	安裝螺絲 ⑤ 和 ⑥ 3.5×12	2
⑧	安裝螺絲 ⑤ 和 ⑥ 4×10 * 安裝線夾到M系列以及M系列周圍時使用本螺絲。	1
⑨	安裝螺絲 ⑤ 和 ⑥ 4×16 * 與M系列部件一同安裝線夾時使用本螺絲。	1
⑩	電纜網綁帶	4
⑪	緊固件（用於連接導線）	5
⑫	接線線夾	5
⑬	安裝螺絲 ⑫ 3.5×12	5
⑭	介面盒安裝螺絲 3.5×12	2

#### ■ 安裝位置所需物品

A	連接線（中央控制器） 屏蔽線CVVS/CPEVS
B	連接線（用於連接ME遙控器） 遙控線（2芯鍍裝線0.3 mm <sup>2</sup> ）
C	需另外購買的相關部件 * 根據您系統的需求數量準備需另外購買的部件。

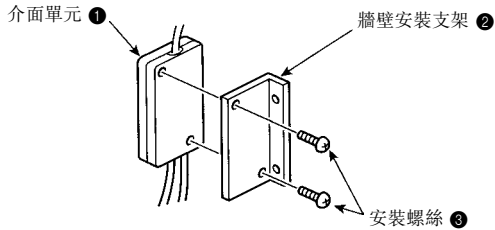
- \* CPEVS；PE絕緣PVC外層屏蔽通訊電纜
- \* CVVS；PVC絕緣PVC外層屏蔽控制電纜
- PE：聚乙烯 PVC：聚氯乙烯

### 3. 安裝M-NET介面單元

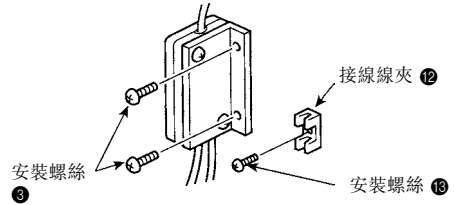
M-NET介面單元應該放置於介面引出的5芯連接電纜可以接到室內機的位置上。  
請勿延長5芯連接電纜。這會造成設備故障。  
使用2個或更多螺絲將介面單元安全地安裝在柱子或牆壁上。

#### ■ 當使用牆壁安裝支架時 ②

1 使用2個安裝螺絲 ③ 讓牆壁安裝支架 ② 緊貼介面單元 ①。

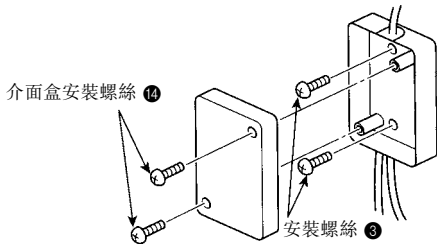


2 使用2個安裝螺絲 ③ 將單元安裝到柱子或牆壁上。



#### ■ 當直接安裝到牆壁上時

使用安裝螺絲 ③ 將介面單元 ① 盒安裝到牆壁上。



在天花板或牆壁內部安裝介面單元 ① 時，安裝一個檢修門以便於維修。

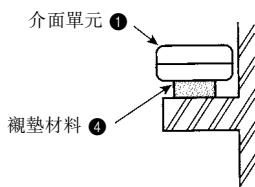
當介面單元 ① 的安裝位置高於室內機組時，兩者應相距40 mm或更遠，以確保可以移除天花板格柵。

40 mm或以上

在此處接上介面單元 ① 的5芯連接電纜。將多餘的5芯連接電纜存放在室內機組後面敷設管道的位置。

\* 如果5芯連接電纜出現鬆散，使用緊固件 ⑪ 使其保留在原位。

\* 當使用襯墊材料 ④ 安裝介面單元 ① 時，確保安裝在不會跌落的位置上。



## 4. 設定開關

如果系統沒有正確配置，單元將不會正常操作。您可能無法通過系統控制器/ME遙控器來控制室內機組功能，或者在系統控制器/ME遙控器顯示上出現室內機組不提供的功能。因此，接通電源前應確定已正確配置系統。

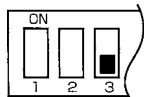
### ■ SW500 1號，2號 — 不能使用

這些應設定為關（如果設定為開，設備將無法與系統控制器正常通訊。）

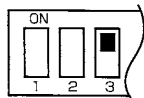
### ■ SW500 3號 — 電源開/關設定

本設定表示當向室內機組或M-NET介面供電時應關閉或開啟室內機組。

供電時啟動 否  
[供電時單元不啟動。]



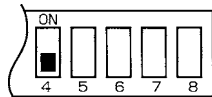
供電時啟動 是  
[供電時單元啟動。]



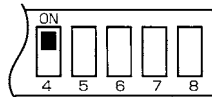
### ■ SW500 4號 — 淨化器或送風模式的可用性

如果無線遙控器上沒有“淨化器”按鈕，並且如果在按下“模式”按鈕時“送風”字樣沒有出現，則表示淨化器和送風模式無法使用（設定為關）。

沒有淨化器或送風模式



有淨化器或送風模式



### ■ SW500 5號-8號 — M系列功能檢查

SW500	功能描述	如何檢查功能	關	開
5號	自動操作模式（此模式允許空調器決定是否選擇製冷或製熱）的可用性。	如果當你按下無線遙控器上的“模式”按鈕時“自動”未顯示，則無法使用自動操作模式（關）。	沒有自動操作模式	有自動操作模式
6號	送風擺動設定的可用性	如果當你按下無線遙控器上的“送風方向”按鈕時“擺動操作”顯示，則可使用送風擺動設定（關）。（如果沒有“送風方向”按鈕，則設定為關。）	有送風擺動設定	沒有送風擺動設定
7號	送風方向設定的可用性	如果無線遙控器上有“送風方向”按鈕，則可使用送風方向設定（關）。	有送風方向設定	沒有送風方向設定
8號	製熱模式的可用性	如果當你按下無線遙控器上的“模式”按鈕時“製熱”顯示，則該型號機組可同時提供製冷和製熱模式（關）。	製冷和製熱雙重模式	只有製冷單元

### ■ SW510, SW501 - 地址設定

指定集中管理的地址設定（地址設定範圍在01到50之間）。

#### 自動地址

十位數位置

個位數位置



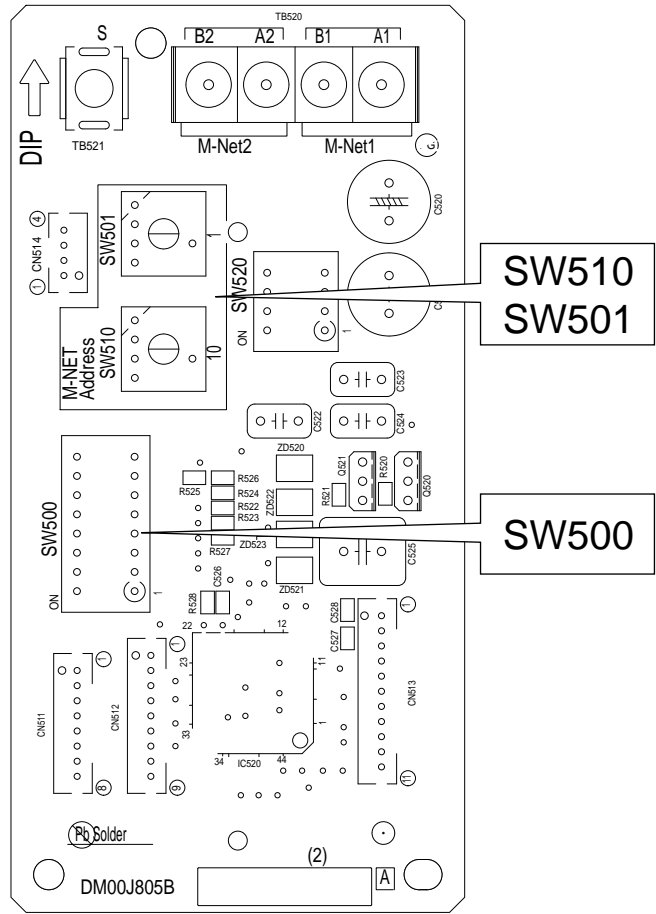
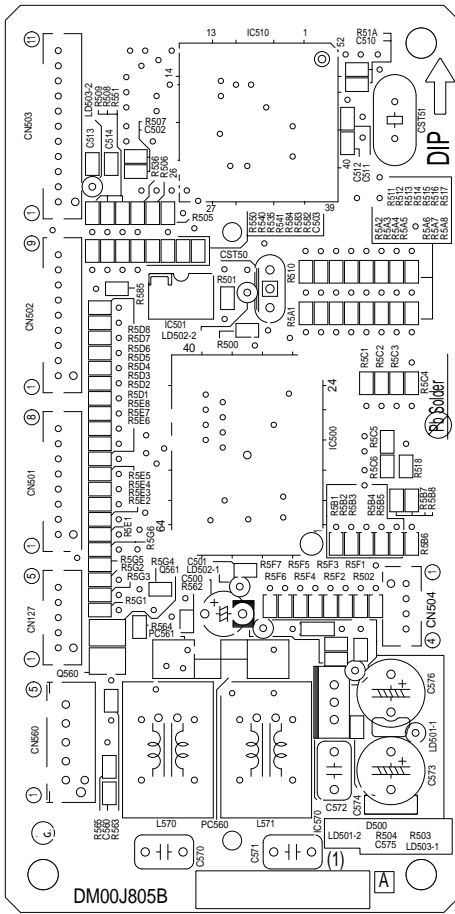
SW510



SW501

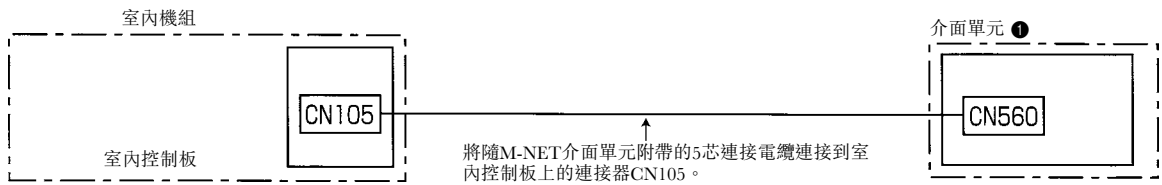
SW510設定地址的十位數數位，SW501設定地址的個位數數位。例如：要把單元設定為地址25，則設定SW510為“2”，設定SW501為“5”。

## ■ SW500、SW501、SW510的位置

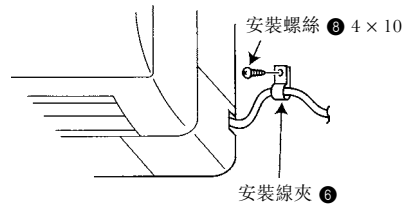
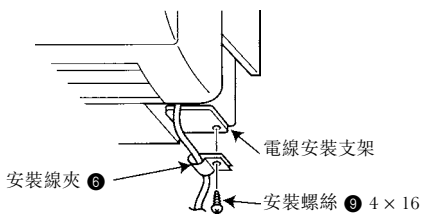


## 5. 連接M-NET介面到室內機組

連接M-NET介面板到室內控制板上。



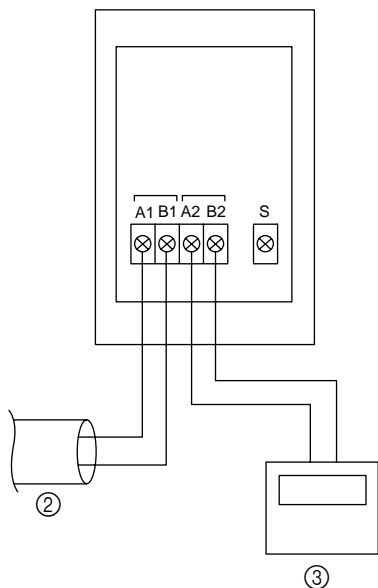
- 應該將連接至室內機組的5芯連接電纜安裝到室內機組上或室內機組旁邊。如果沒有安全地安裝5芯連接電纜，連接器可能會斷開、中斷或出現故障。



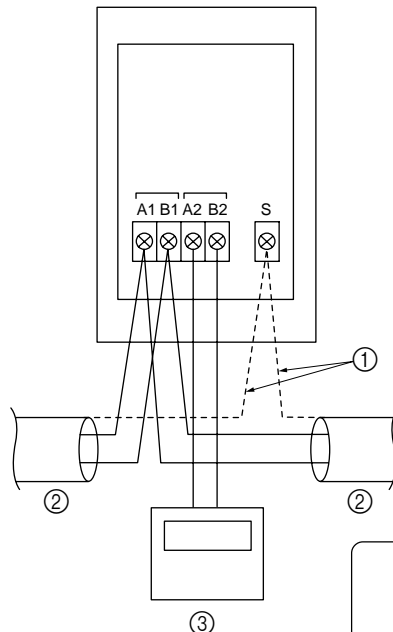
## 6. 連接M-NET介面、電源和ME遙控器

- 將單元連接到系統控制器或ME遙控器時，將M-NET的傳輸線連接到控制訊號端子。  
將2芯連接絞線 **A** 連接到A1/B1或A2/B2（可以連接到任何一個）。
- 只有當交叉連接接線的時候，使用S端子來交叉連接每一根連接線的屏蔽部分。
- 將連接絞線 **A** 和ME遙控器連接絞線 **B** 連接到端子板時，無需考慮極性。

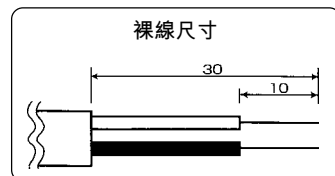
當連接絞線 **A** 未交叉連接時



當連接絞線 **A** 已交叉連接時

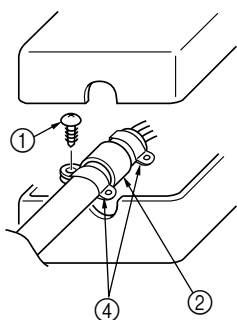


- ① 屏蔽
- ② 連接絞線 **A** (M-NET傳輸線)
- ③ ME遙控器  
(只有在有需要時使用)



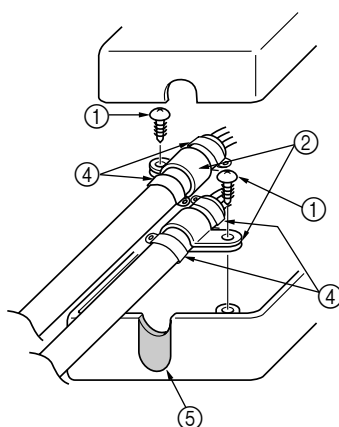
- 完成接線後，利用纜線夾（大）及電纜綁帶固定電線。

當連接絞線 **A** 未交叉連接時



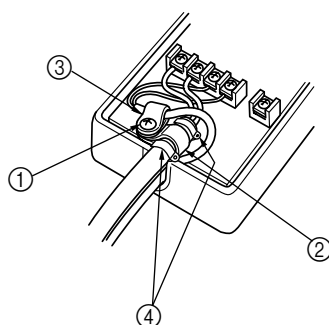
- ① 螺絲
- ② 線夾（大）
- ③ 線夾（小）

當連接絞線 **A** 已交叉連接時



- ④ 電纜綁帶
- ⑤ 在凹槽處用剪線鉗切割。  
確保切面沒有毛刺以便連接線不會受損。

當使用ME遙控器時



### ⚠ 注意

- 電氣工作應根據電子設備技術標準和內部接線標準來執行。
- 連接線和遙控線應當盡可能遠離其他電線。這些電線過於接近可能導致故障。

## 7. 使用注意事項

在嘗試測試運行之前，請仔細閱讀這些資訊。

下述的控制資訊應當仔細解釋並提供給本設備的使用者。（一旦安裝完成，請向使用者提供這些說明。）

- \* 本M-NET介面使用組合式空調器（city-multi）的控制來操作M/P/S系列，但是由於M/P/S系列和組合式空調器功能上的差異，存在一些限制。
  1. 使用系統控制器或ME遙控器操作系統時，這些操作將不會在無線遙控器上顯示。
  2. 僅能在M系列使用的功能（例如ECONO COOL（省電冷卻）），無法利用ME遙控器/系統控制器操作。當使用隨M系列附帶的無線遙控器操作這些功能時，在ME遙控器/系統控制器顯示上不會有操作顯示。
  3. 通過切換到預設的單獨操作模式，可操作ME遙控器/系統控制器所具備但M/P/S系列不具備的功能。（請參考“通過ME遙控器/系統控制器啟動的功能表”。）
  4. M/P/S系列遙控器具備但ME遙控器/系統控制器不具備的功能將會產生一個預設的顯示。在這種情況下，實際的操作和顯示可能會有出入。（如果使用隨M/P/S系列附帶的遙控器自動設置風速，ME遙控器/系統控制器上就會顯示“強”檔。同樣的，如果送風方向設定為自動，ME遙控器/系統控制器上就會顯示“向下送風80%”。）
  5. 因為M/S系列的溫度範圍比ME遙控器/系統控制器的更寬，如果M/S系列設定為低於17℃或高於30℃時，ME遙控器/系統控制器就會顯示可以設定的最小或最大溫度值。（例如：儘管房間空調器設置將房間製冷到16℃，在ME遙控器/系統控制器上也許會讀到“17℃”。）
- M/S系列根據M/S系列單元檢測到的室溫來進行操作。
  6. 只有使用隨M/P/S系列附帶的遙控器或ME遙控器/系統控制器才能設置定時操作。如果同時使用兩種遙控器將定時器設定為同一時間，定時器將不能正常操作。
  7. 如果使用隨M/P/S系列附帶的遙控器設置定時器，則定時器資訊不會顯示在ME遙控器/系統控制器上。
  8. 如果使用ME遙控器/系統控制器設置定時器，儘管使用隨M/P/S系列附帶的遙控器將單元關閉，使用該設備設定的定時器也不會取消。
  9. 當禁止使用系統控制器手動操作時，隨M/P/S系列附帶的遙控器將不能操作，但仍然會發出表示操作正常的蜂鳴聲。
  10. 要清除ME遙控器/系統控制器上顯示的錯誤訊息，只需要使用ME遙控器/系統控制器或隨M/P/S系列附帶的遙控器關閉單元。（顯示在空調器上的錯誤訊息會自動清除，但是只有關閉單元才能清除ME遙控器/系統控制器上的顯示。）
  11. 無法使用安裝在ME遙控器內的室溫傳感器。



## 8. 通過ME遙控器/系統控制器啟動的功能表

通過隨M/P/S系列附帶的無線遙控器操作的功能

[符號] ○: 可用/△: 可用, 在顯示上有限制/×: 不可用/-: 不適用 (沒有功能)

功能 *1		ME 遙控器	G-50A	BACnet/F	LM-AP
開/關	電源開啟 (操作)	○	○	○	○
	電源關閉 (停止)	○	○	○	○
模式	自動操作 (操作)	○	○	○	○
	手動製冷 (製冷)	○	○	○	○
	手動製熱 (製熱)	○	○	○	○
	手動乾燥 (乾燥)	○	○	○	○
	空氣淨化 (風扇)	○	○	○	○
風速 (MSZ, S, P)	低 (第一: 低)	○	○	○	○
	中 (第二: 中2) 中 (第三: 中2)	○	○	○	○
	高 (第三: 中1) 高 (第四: 高)	○	○	○	○
	超高 (第四: 高)	○	○	○	○
	自動	△ (高)	△ (高)	△ (高)	△ (高)
	風速 (MFZ)	低 (第一: 低)	○	○	○
中 (第二: 中) 中 (第二: 中1)	○	○	○	○	
高 (第三: 中) 中 (第二: 中2)	○	○	○	○	
超高 (第四: 高)	○	○	○	○	
自動	△ (高)	△ (高)	△ (高)	△ (高)	
送風方向	位置1 (水平)	○	○	○	—
	位置2 (底下流動位置2)	○	○	○	—
	位置3 (底下流動位置3)	○	○	○	—
	位置4 (垂直)	○	○	○	—
	位置5 (垂直)	○	○	○	—
	旋轉	○	○	○	—
	自動	△ (底下流動位置3)	△ (底下流動位置3)	△ (底下流動位置3)	—
設定溫度	16℃-31℃	○	○	○	○
監察器	時間顯示	×	×	×	×
	進氣口溫度(10-38℃)*2	△	△	○	○

\*1: 無法操作在M/P/S系列 (MAC-399IF) 上不能使用的功能。

( ) 中的內容表示M-NET側面的顯示。

\*2: 該顯示不會在無線遙控器上出現。

## 9. 規格

空調器側面	輸入電壓	12 V $\overline{\text{---}}$
	功率消耗	0.6 W
	輸入電流	0.05 A
M-NET側面	輸入電壓	17-24 V $\overline{\text{---}}$





This product is designed and intended for use in the residential, commercial and light-industrial environment.

The product at hand is based on the following EU regulations:

- Low Voltage Directive 2006/95/EC
- Electromagnetic Compatibility Directive 89/336/EEC

 **MITSUBISHI ELECTRIC CORPORATION**  
HEAD OFFICE: TOKYO BLDG., 2-7-3, MARUNOUCHI, CHIYODA-KU, TOKYO 100-8310, JAPAN

---